

# Installation of Mounting Bracket and Small Mounting Plate to Steel Door Jamb for Overhead Steel Door

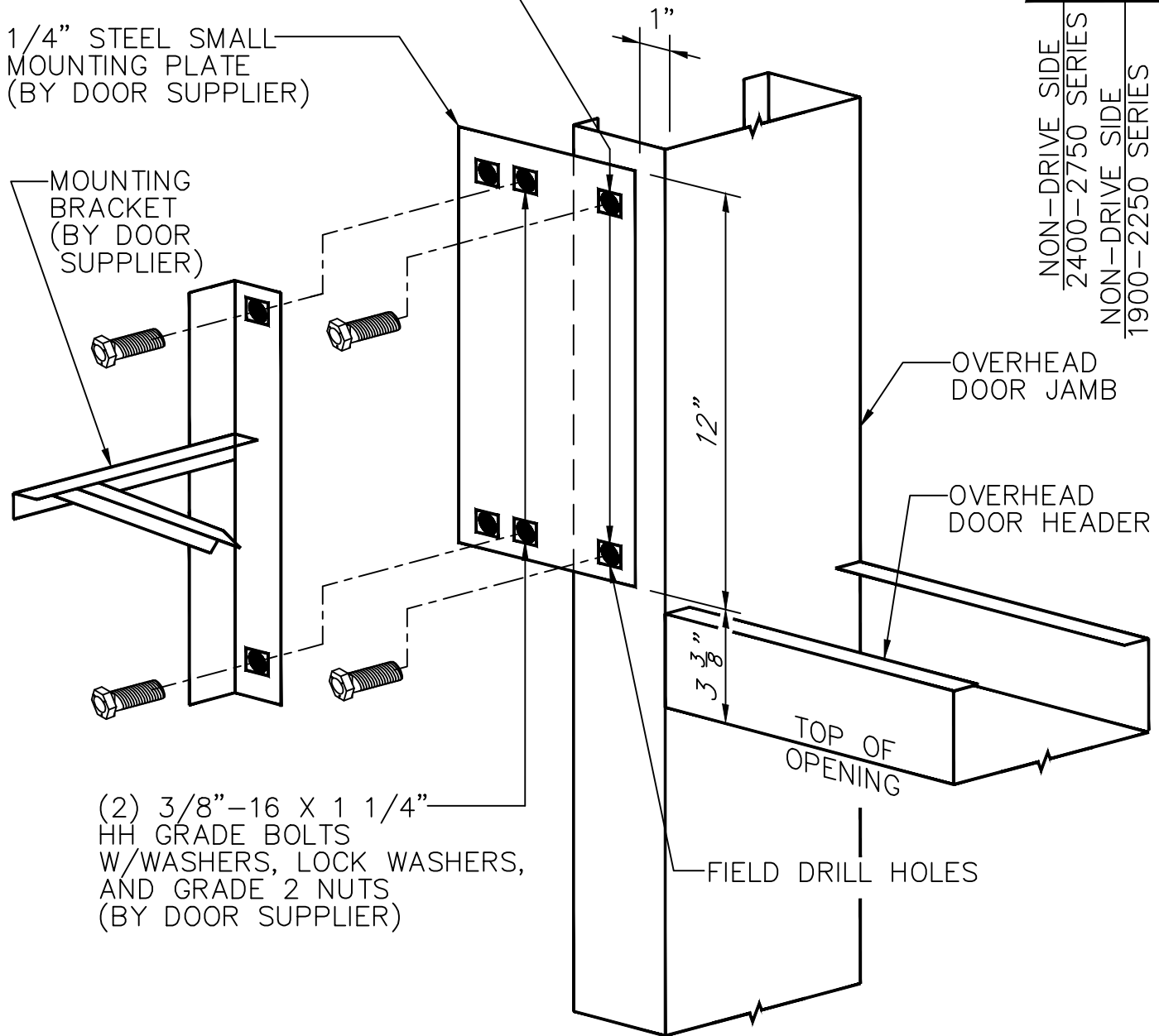
**NOTES:**

1. DRAWING DEPICTED AS LEFT JAMB.
2. DRAWING MAY BE MIRRORED WHEN USED WITH RIGHT SIDE OF OPENING.
3. DRAWING TO BE USED IN CONJUNCTION WITH DBCI INSTALLATION INSTRUCTIONS.

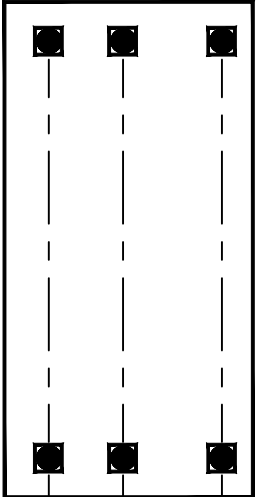
(2) 3/8"-16 X 1 1/4"  
CARRIAGE BOLTS  
(BY DOOR SUPPLIER)

1/4" STEEL SMALL  
MOUNTING PLATE  
(BY DOOR SUPPLIER)

MOUNTING  
BRACKET  
(BY DOOR  
SUPPLIER)



(2) 3/8"-16 X 1 1/4"  
HH GRADE BOLTS  
W/WASHERS, LOCK WASHERS,  
AND GRADE 2 NUTS  
(BY DOOR SUPPLIER)



NON-DRIVE SIDE  
2400-2750 SERIES

NON-DRIVE SIDE  
1900-2250 SERIES

ATTACH TO  
DOOR JAMB

OVERHEAD  
DOOR JAMB

OVERHEAD  
DOOR HEADER

TOP OF  
OPENING

FIELD DRILL HOLES

REFERENCE DBCI INSTALLATION MANUAL FOR FURTHER DETAILS