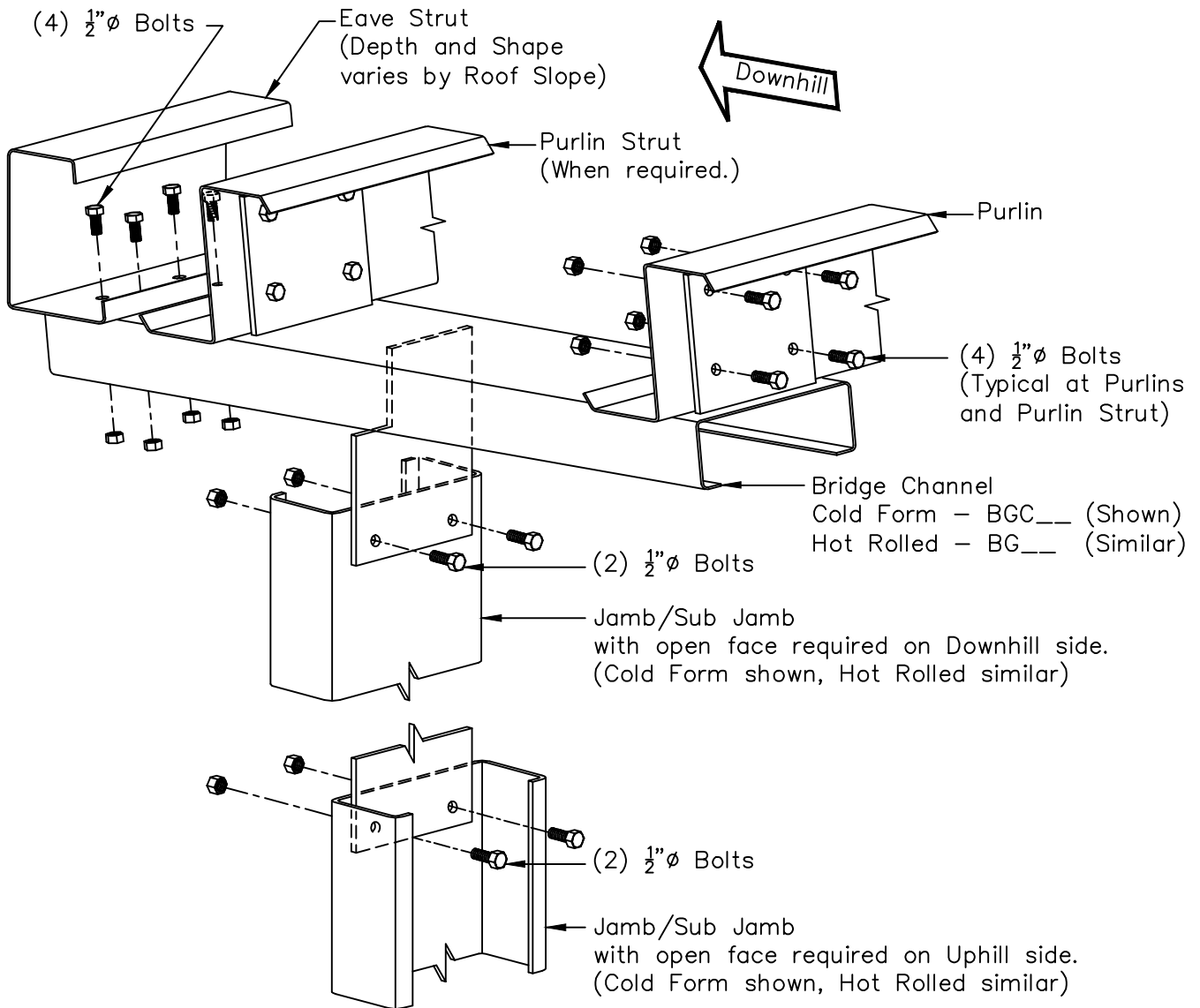


Jamb/Support Column Attachment at Low Eave Located Between Eave Strut and Purlin - Inset Column

Notes:

- 1.) See EF09106 for Endwall Column attachment when located at same Purlin space (or adjacent Purlin space) as Jamb/Support Column.
- 2.) Bridge Channel may span multiple Purlin spaces when required.
- 3.) Wind Edge Strip Purlins, when required, do not attach to Bridge Channel.
- 4.) Purlins extends past Bridge Channel flange when "Optional" Overhang or Facade is required at endwall.



Note:

Bolt Jamb/Sub Jamb to Downhill side of connection plate.