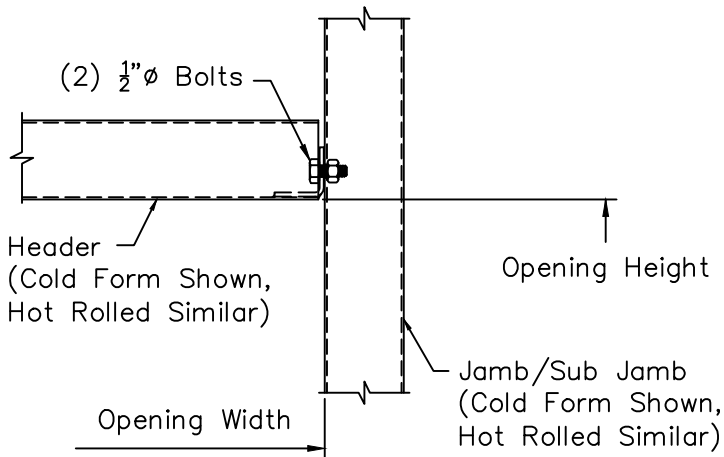
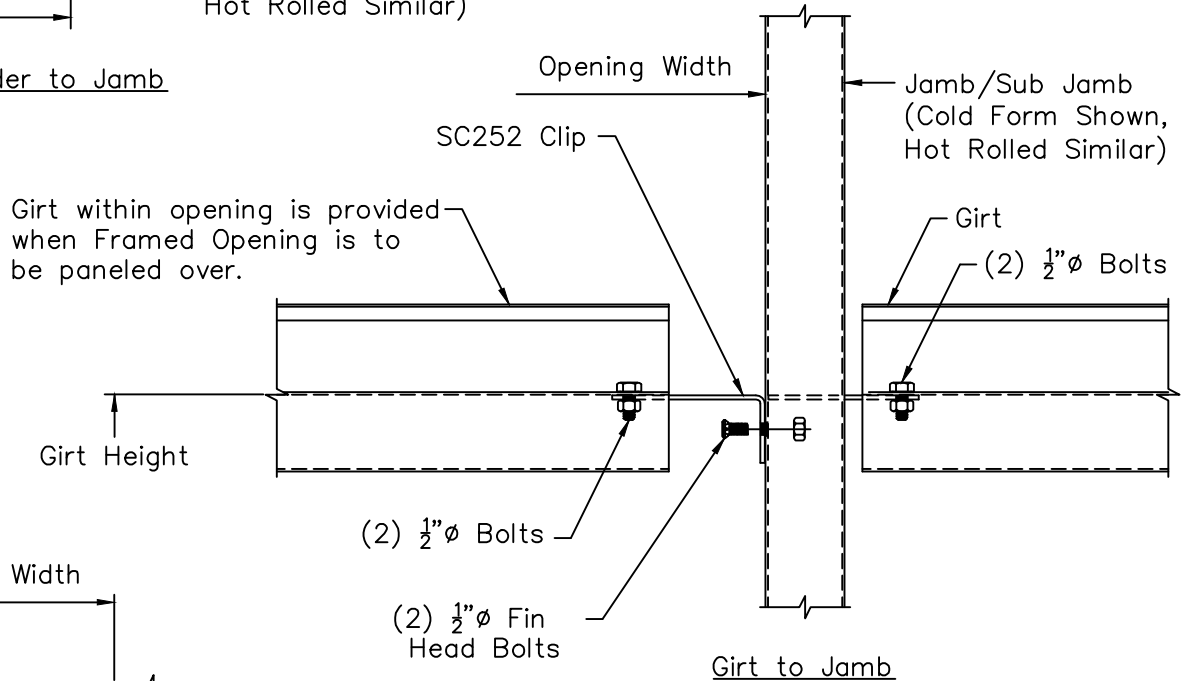


Welded Clips - Framed Opening Connections

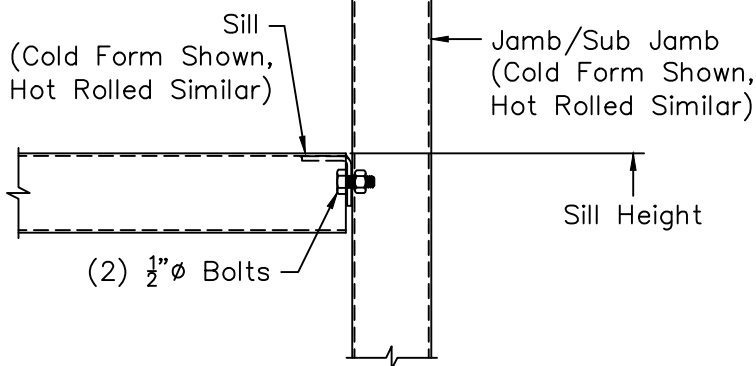
Cold Form and Hot Rolled - Base, Girt, Header, and Sill to Jamb



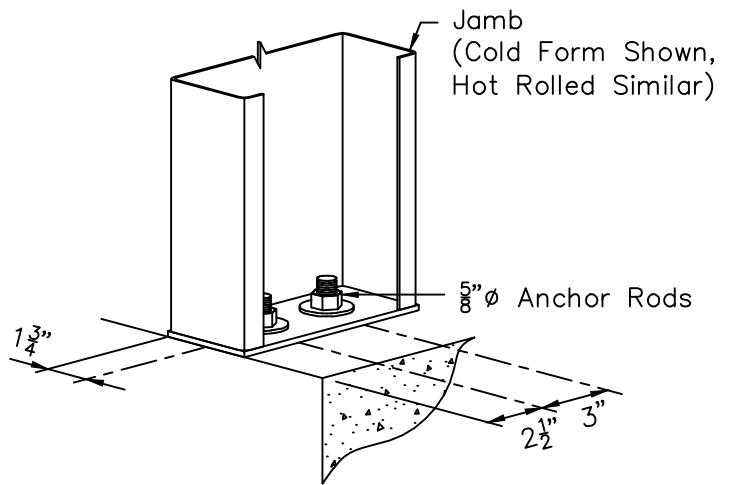
Header to Jamb



Girt to Jamb



Sill to Jamb



Jamb to Finish Floor