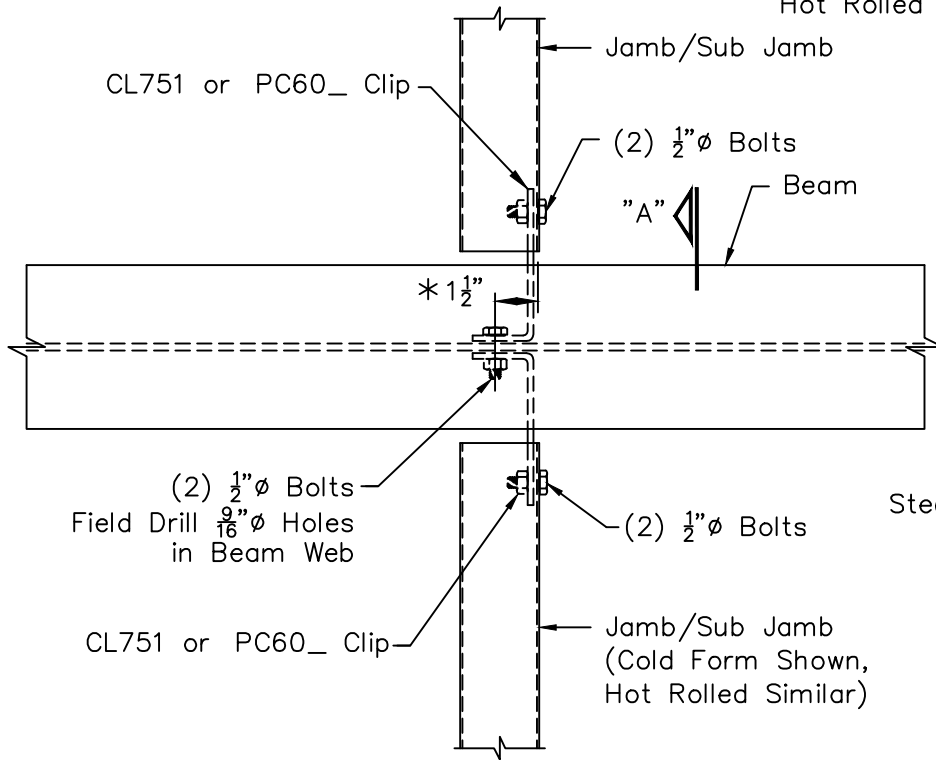


Welded Clips - Framed Opening Connections

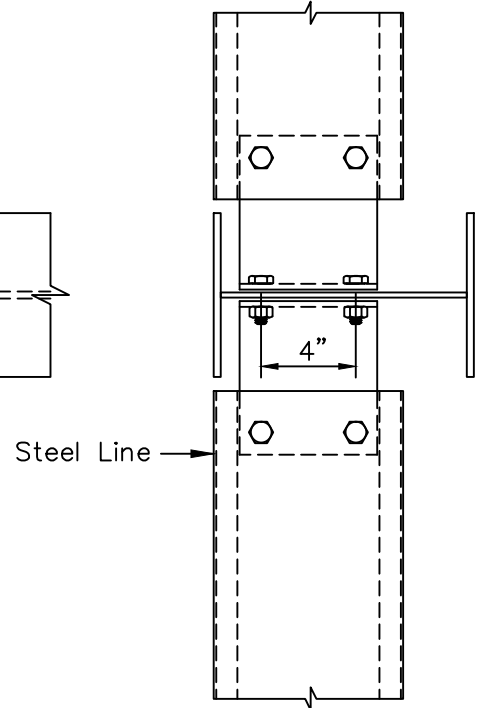
Cold Form and Hot Rolled Cee - Jamb/Sub Jamb to Beam or Hot Rolled Channel

Field Located

* Hole Location from face of Cee
 Cold Form JLC_ & JRC_ use $1\frac{1}{2}$ "
 Hot Rolled JL_ & JR_ use $1\frac{1}{2}$ " + Web Thk

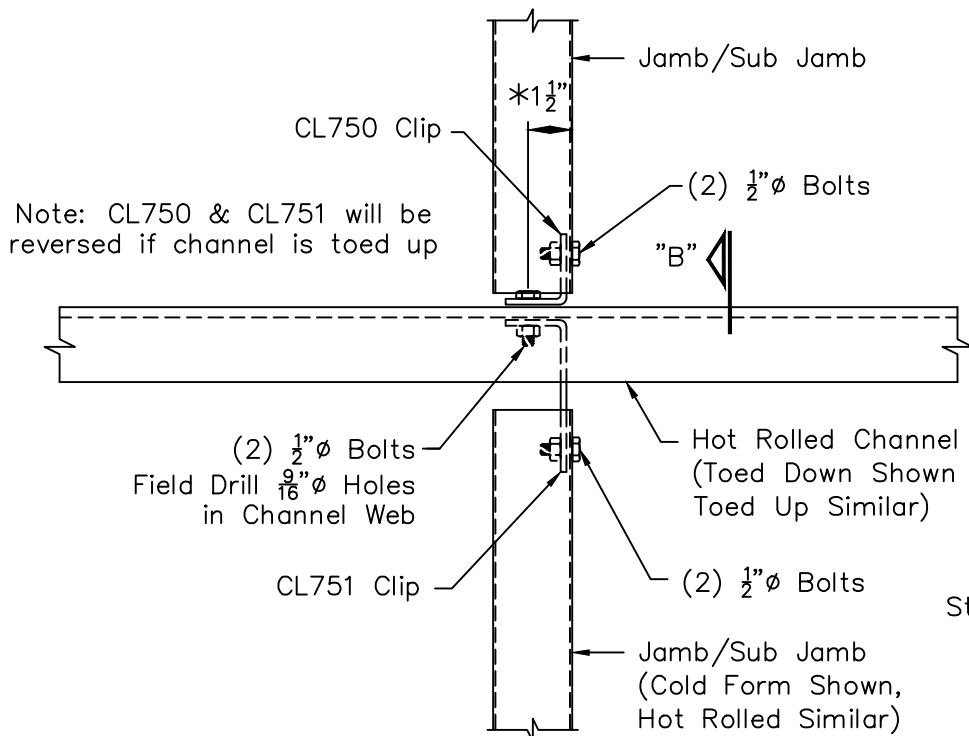


(2) $\frac{1}{2}$ " ϕ Bolts
 Field Drill $\frac{9}{16}$ " ϕ Holes
 in Beam Web



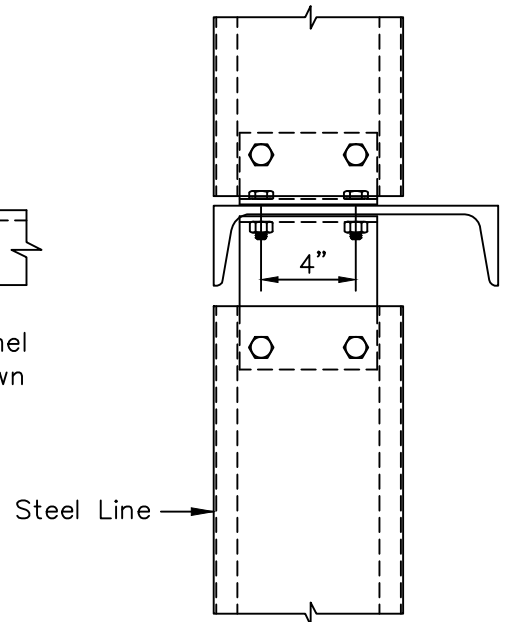
Jamb/Sub Jamb to Beam Web
 (Field Located)

Section "A"



Note: CL750 & CL751 will be
 reversed if channel is toed up

(2) $\frac{1}{2}$ " ϕ Bolts
 Field Drill $\frac{9}{16}$ " ϕ Holes
 in Channel Web



Jamb/Sub Jamb To Hot Rolled Channel Web
 (Field Located)

Section "B"