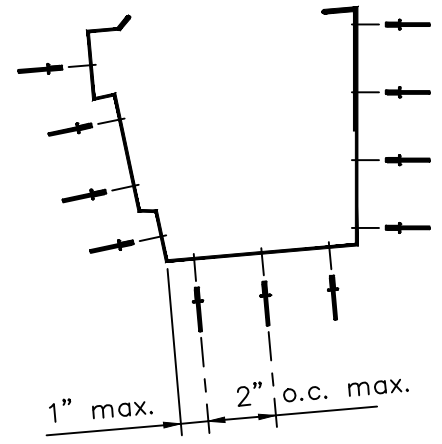
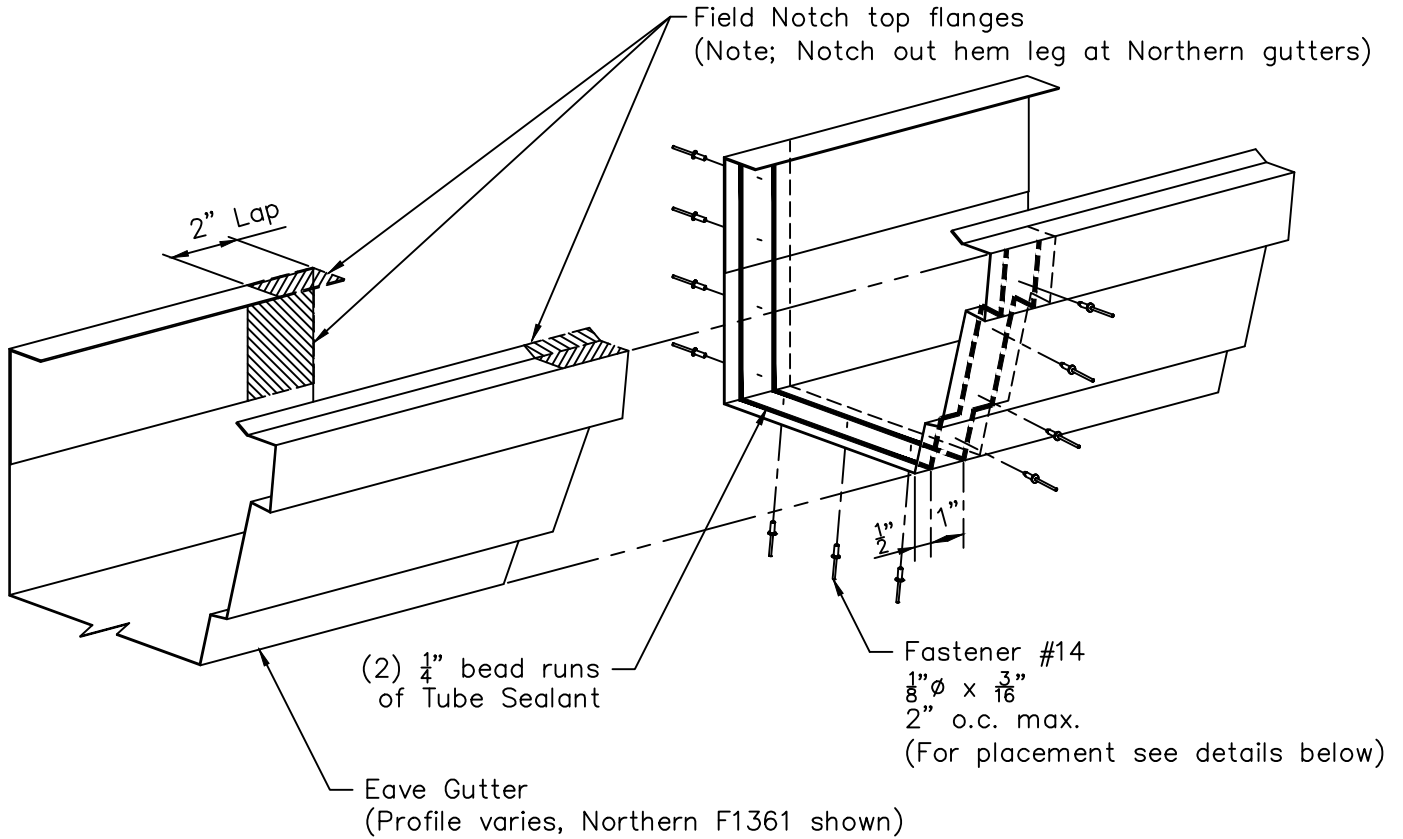


# BattenLok HS / SuperLok Eave Gutter End Lap Installation



Typical Spacing

