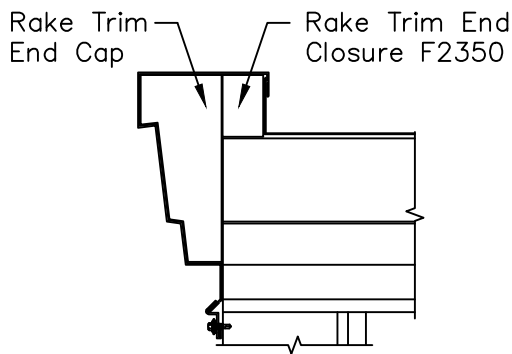
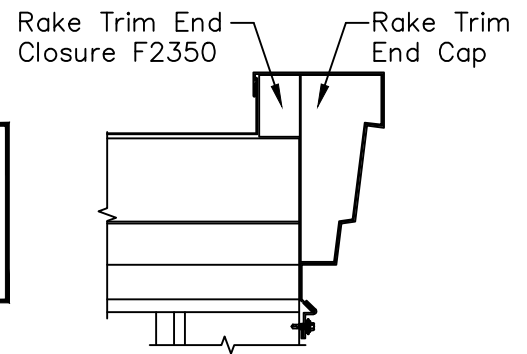


Rake Trim End Cap Installation

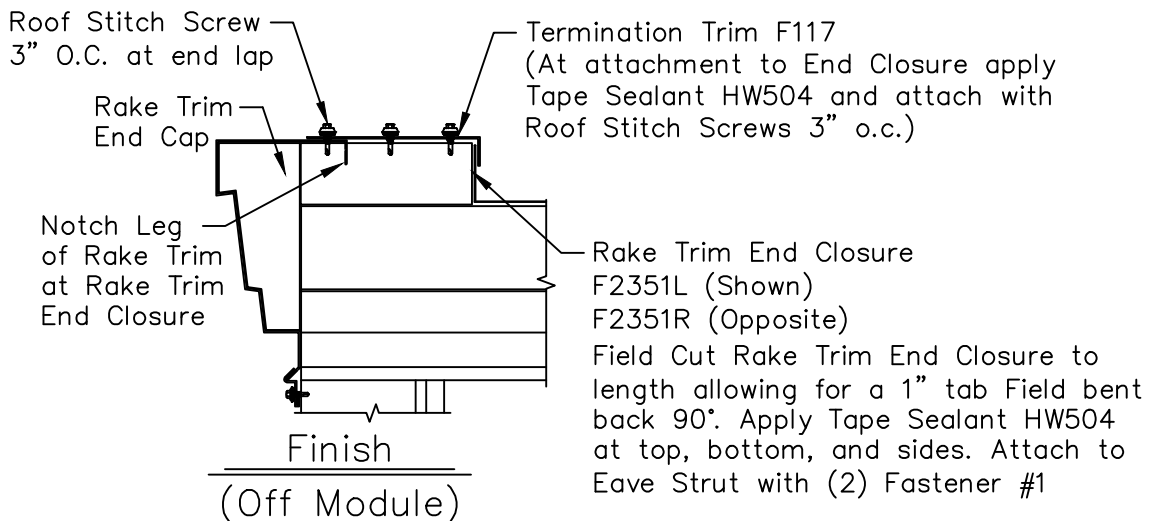


Finish
(On Module)



Section A-A
(Start On Module)

Note: Install Rake Trim End Caps and F2350 Closure with Tube Sealant and Fastener #14 1/8" ϕ x 3/16" Pop Rivets



Finish
(Off Module)