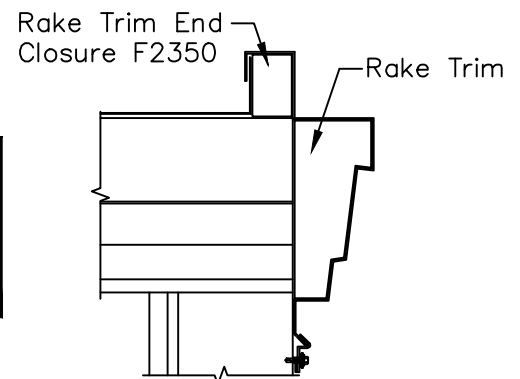


Finish  
(On Module)



Section A-A

Note: Install Rake Trim End Caps and F2350 Closure with Tube Sealant and Fastener #14 1/8"  $\phi$  x 3/16" Pop Rivets

