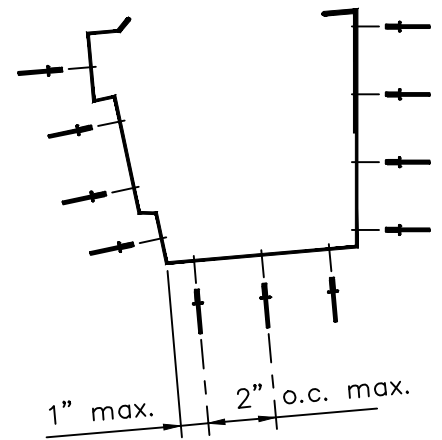
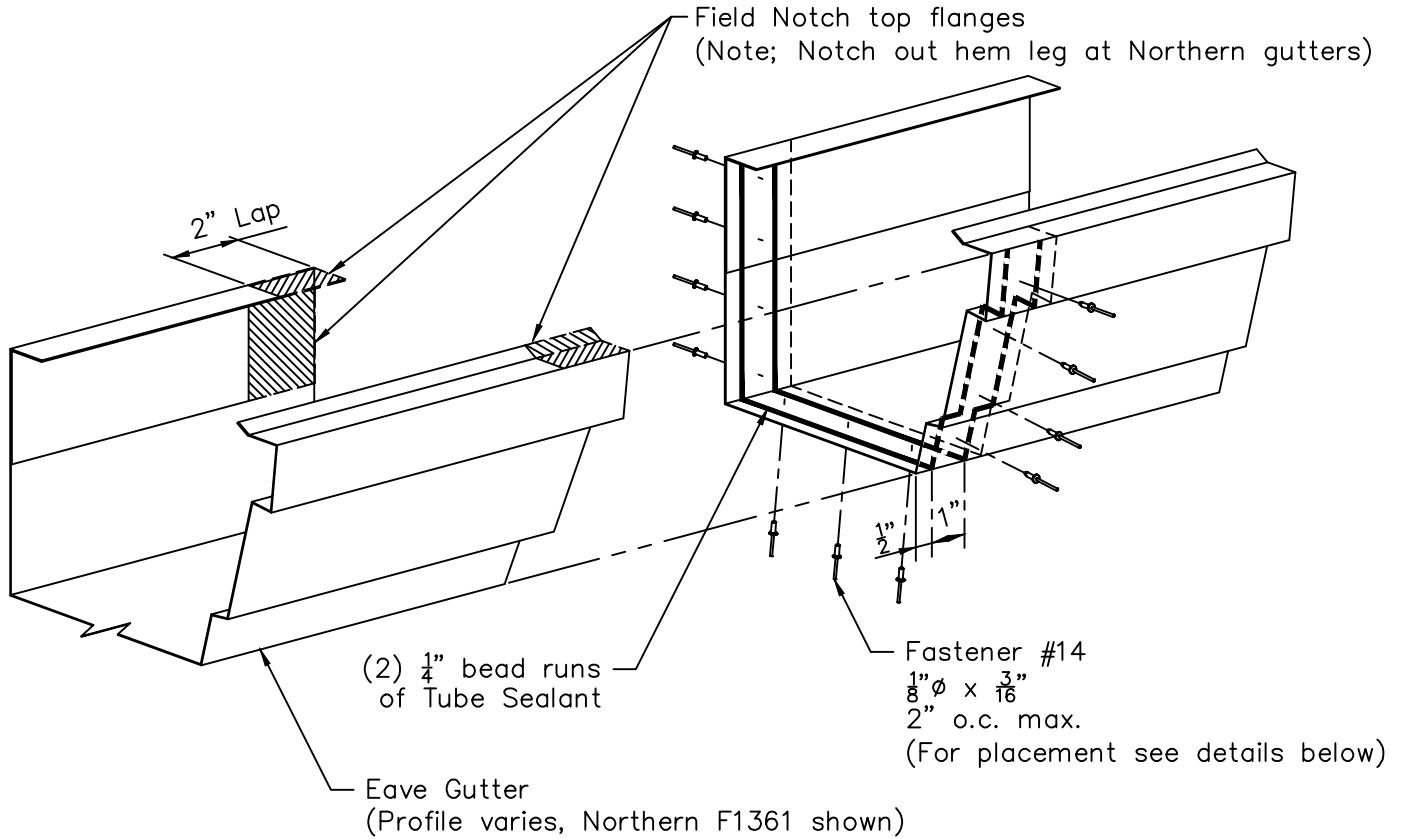


# PBR Roof Eave Gutter End Lap Installation

Page **CPR04002**

Date **Dec '12** Rev. **00**



Typical Spacing

