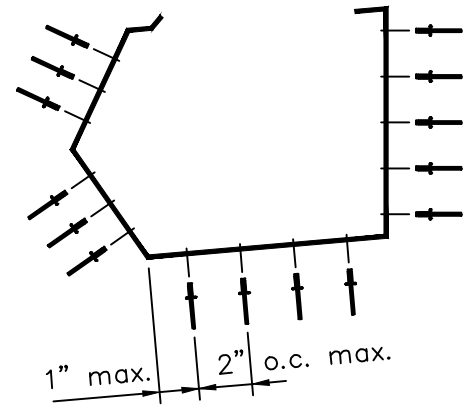
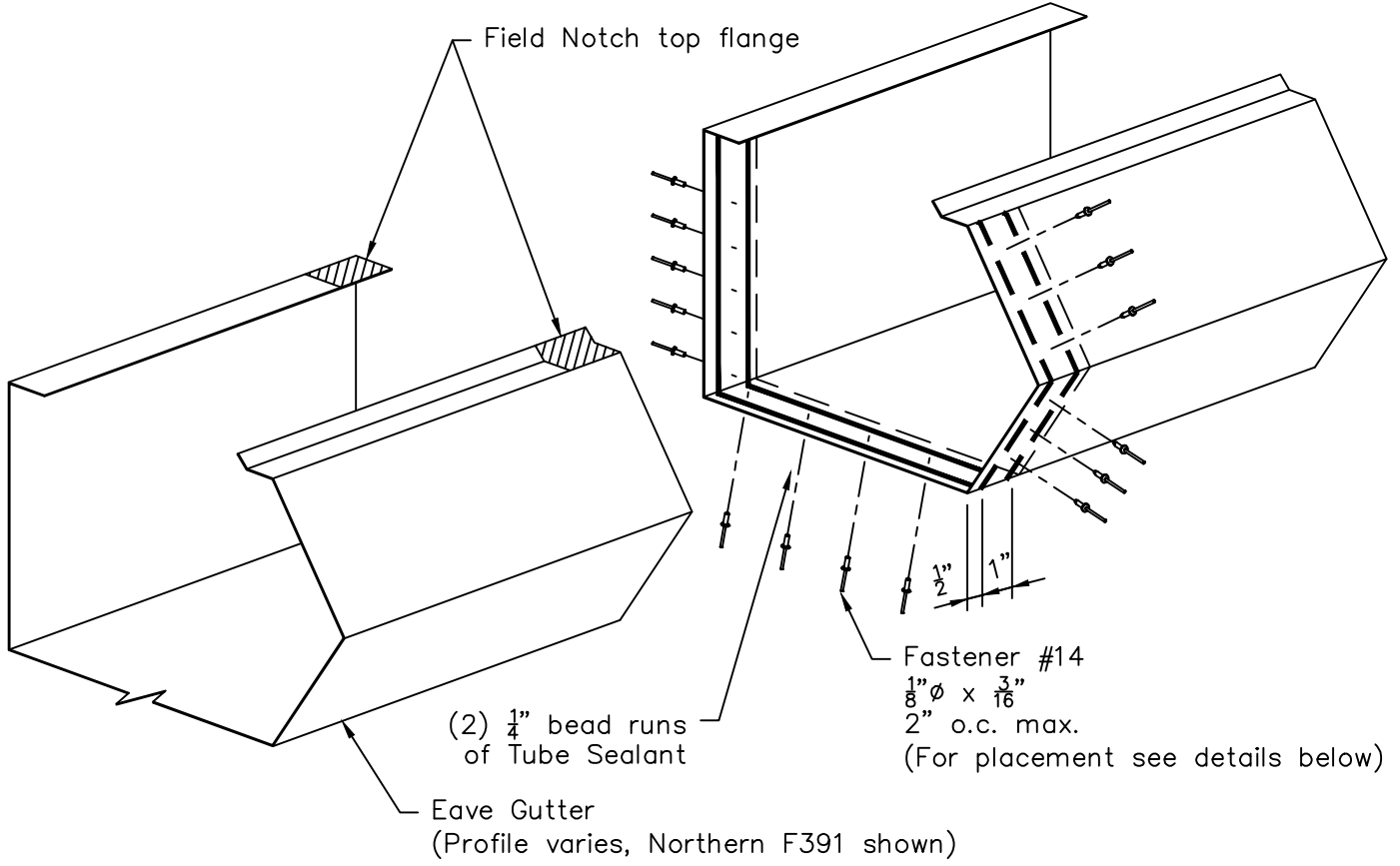
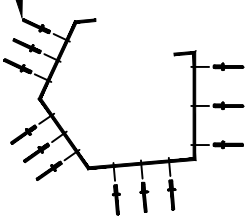


BattenLok HS / SuperLok Eave Gutter End Lap Installation



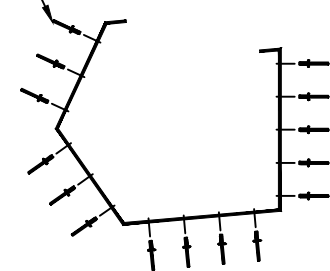
Typical Spacing

(12) Fastener #14 required at lap



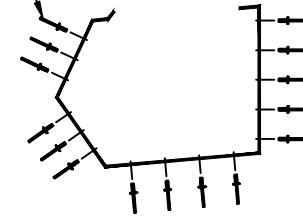
Standard
F730

(15) Fastener #14 required at lap



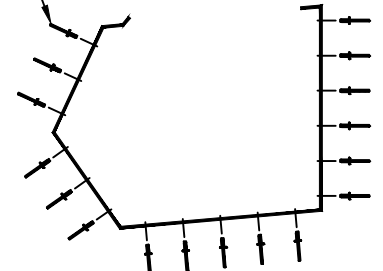
Standard Large
F4120

(15) Fastener #14 required at lap



Northern
F391

(17) Fastener #14 required at lap



Northern Large
F883