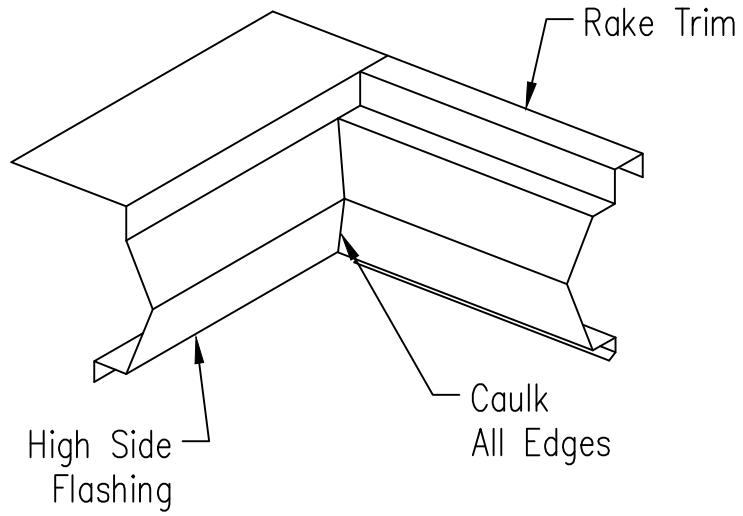


Detail Location



Field notch high side flashing to match rake profile. high side flashing should lap rake trim.