

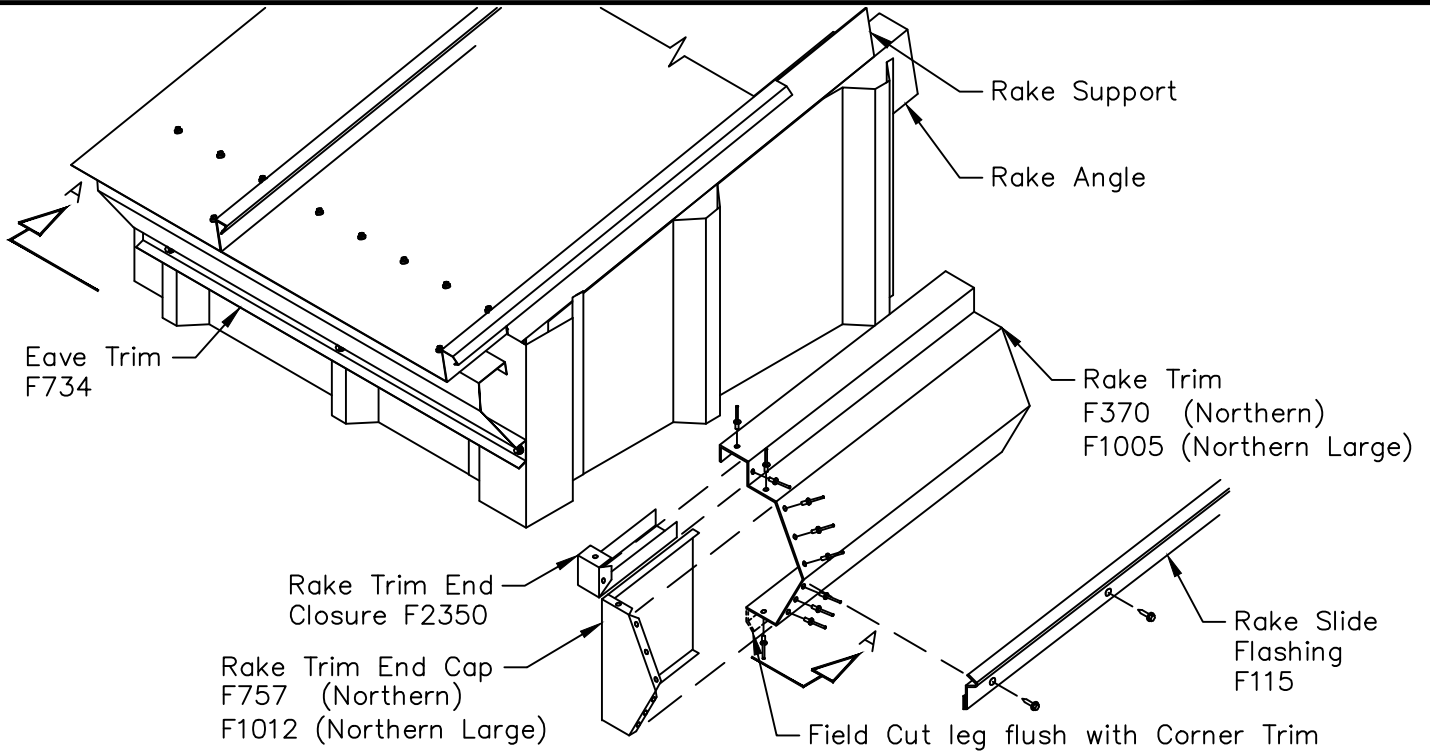
BattenLok HS / SuperLok - Northern and Northern Large

Low Eave Rake Corner with Flat Eave Trim - 1 $\frac{1}{4}$ " Wall Panel

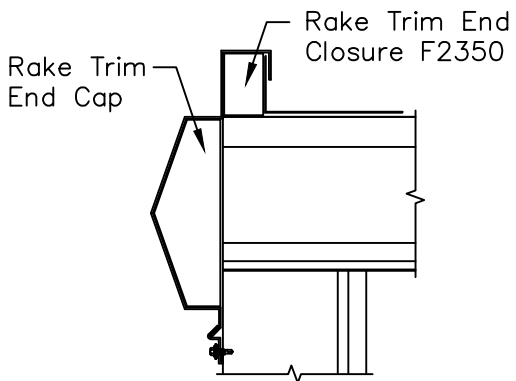
Page
WBL05019

Date
Dec '12

Rev.
03

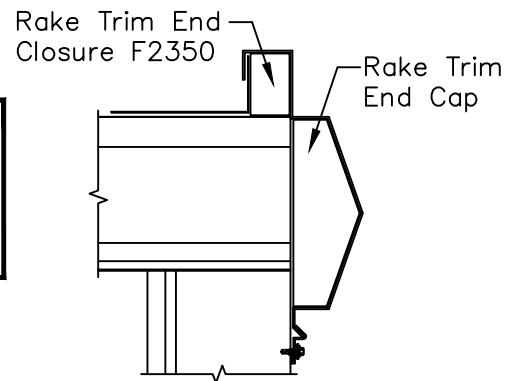


Rake Trim End Cap Installation

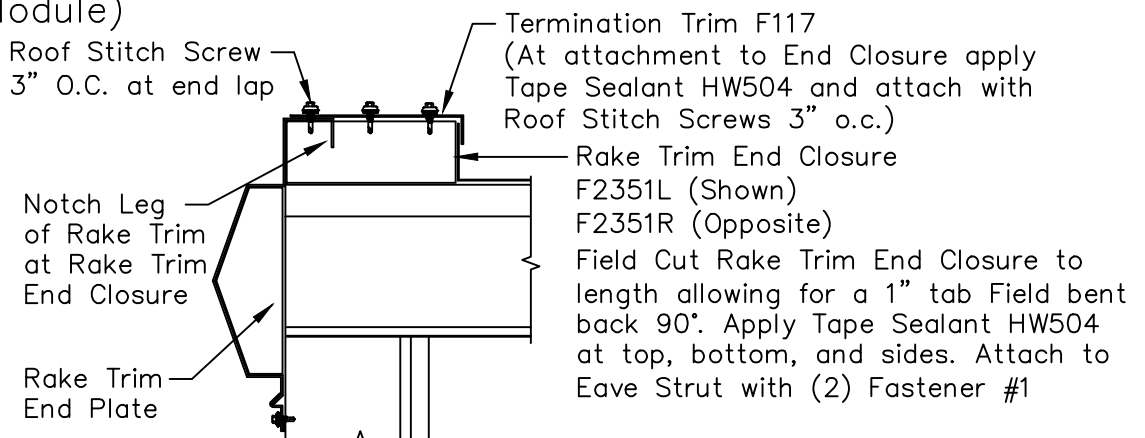


Finish
(On Module)

Note: Install Rake Trim End Caps and F2350 Closures with Tube Sealant and (10) Fastener #14 $\frac{1}{8}$ " ϕ x $\frac{3}{16}$ " Pop Rivets



Section A-A



Finish
(Off Module)