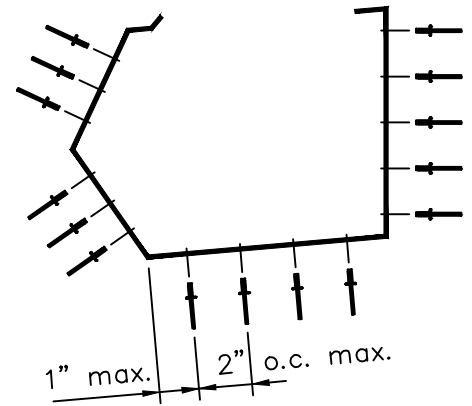
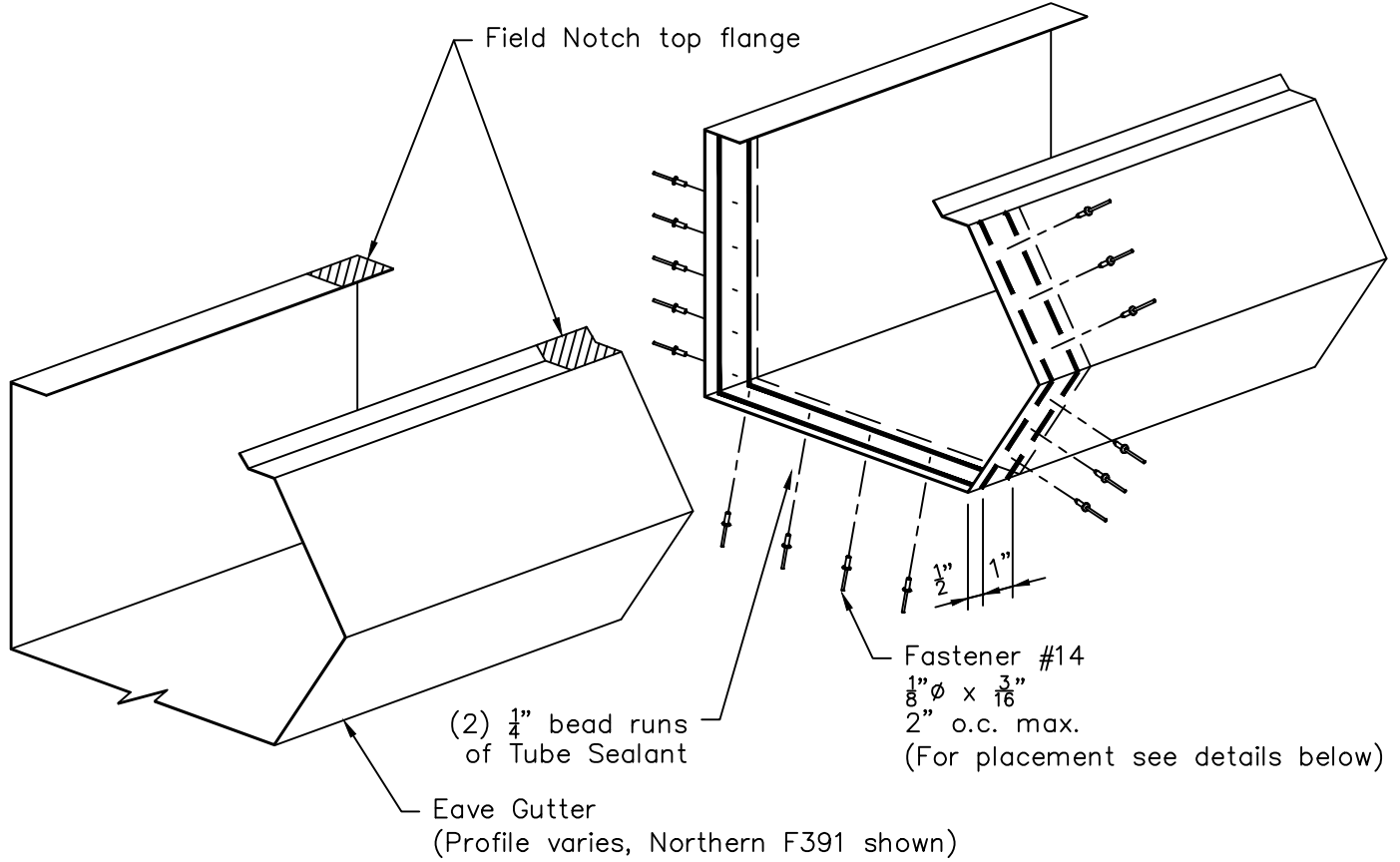
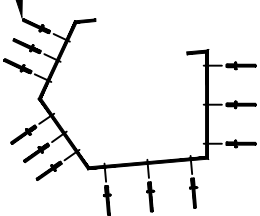


DoubleLok / UltraDek Eave Gutter End Lap Installation



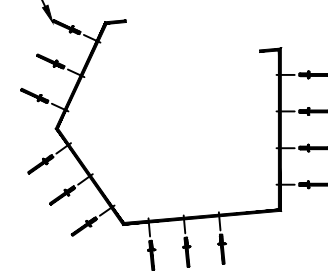
Typical Spacing

(12) Fastener #14 required at lap



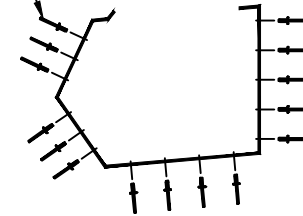
Standard
F752

(14) Fastener #14 required at lap



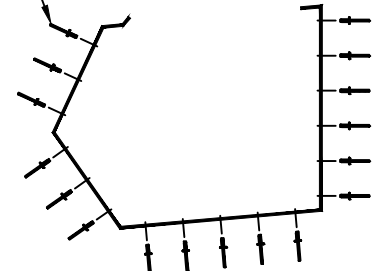
Standard Large
F4100

(15) Fastener #14 required at lap



Northern
F391

(17) Fastener #14 required at lap



Northern Large
F883