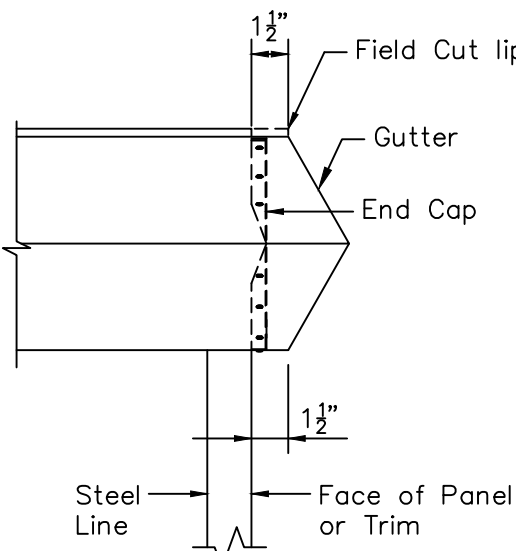
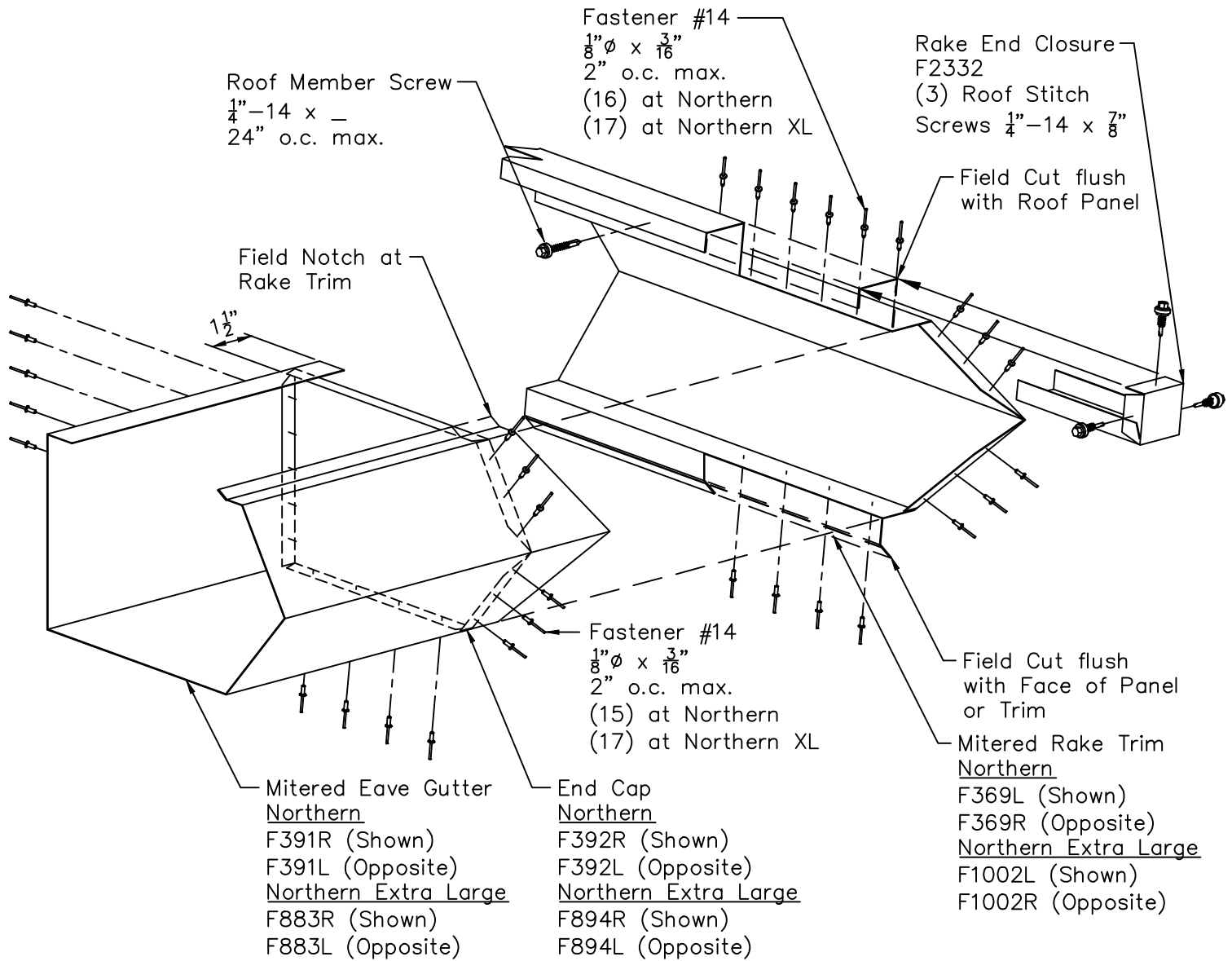


# DoubleLok / UltraDek - Northern & Northern Extra Large

## Low Eave Rake Corner with Eave Gutter



Gutter Placement

- 1.) Apply Tube Sealant to End Cap bottom and side tabs. Install Cap 1 1/2" in from end of Gutter. Inspect after installing and seal any gaps with Tube Sealant.
- 2.) Attach Eave Gutter to Roof Panel locating end 1 1/2" past face of Panel or Trim. (See Gutter Placement)
- 3.) Align edges of Eave Gutter and Rake Trim and attach Rake Trim as shown. Apply Tube Sealant along edges to seal.
- 4.) See Eave and Rake Construction Details included with Erection Drawings for attachment of Eave Gutter and Rake Trim to Roof and Walls.