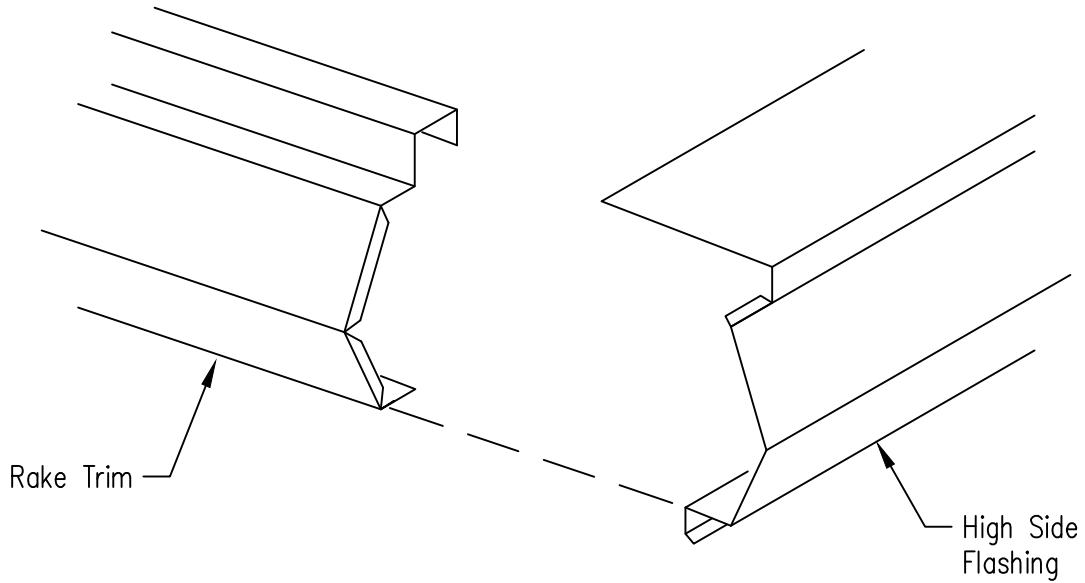
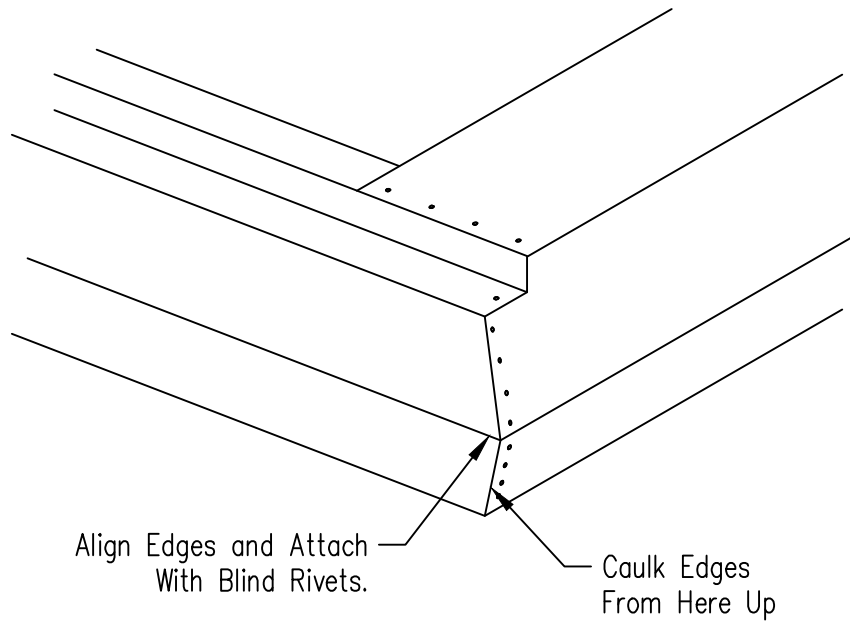


Detail Location



Rake Trim

High Side
Flashing



Align Edges and Attach
With Blind Rivets.

Caulk Edges
From Here Up

- 1.) Align Mitered Edges of Rake and High Side Flashing.
Attach with Blind Rivets (Fastener #14).
Make Sure All Edges Are Sealed with Tube Sealant.