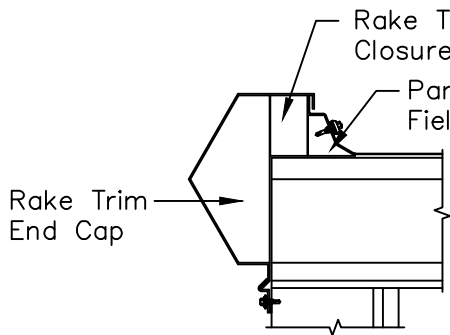
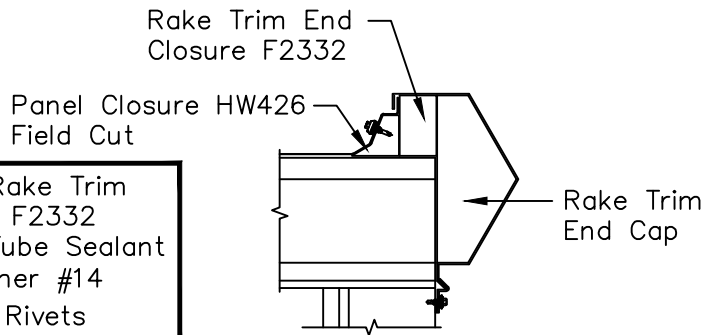


Rake Trim End Cap Installation

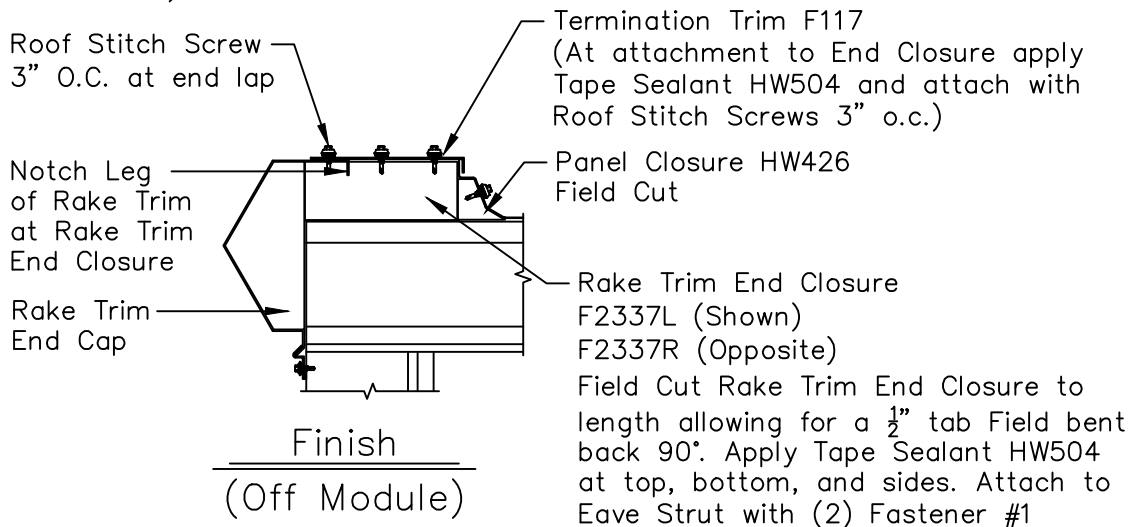


Finish  
(On Module)

Note: Install Rake Trim End Caps and F2332 Closure with Tube Sealant and (9) Fastener #14 1"  $\phi$  x 3/16" Pop Rivets



Section A-A



Finish  
(Off Module)