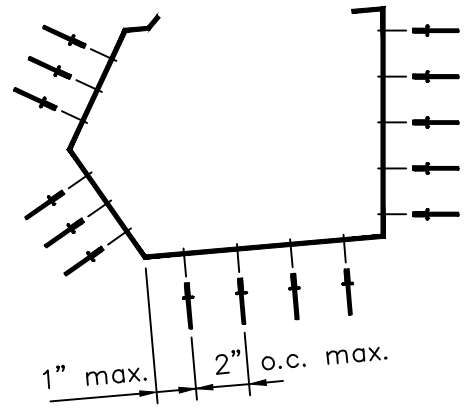
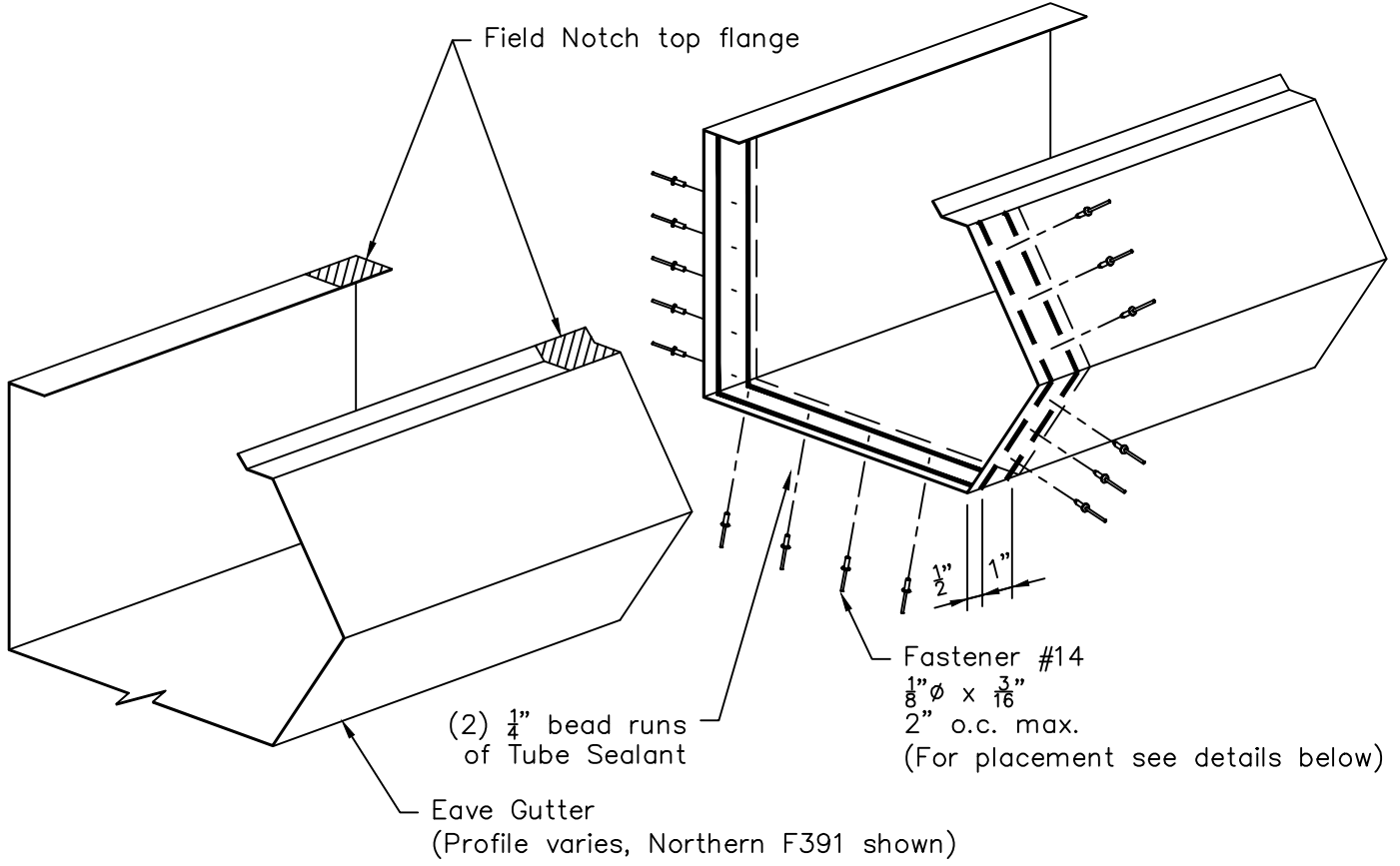
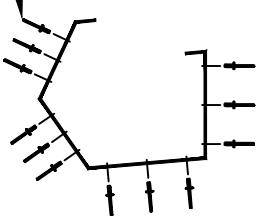


# PBR Roof Eave Gutter End Lap Installation



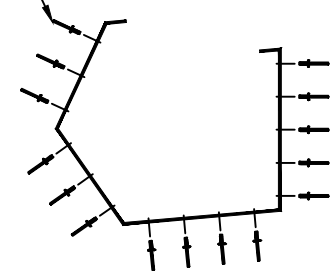
Typical Spacing

(12) Fastener #14  
required at lap



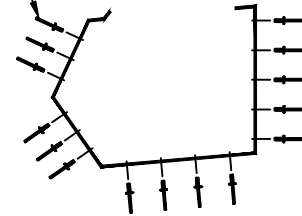
Standard  
F760

(15) Fastener #14  
required at lap



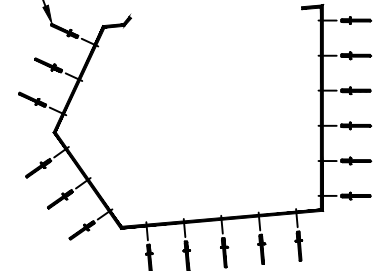
Standard Large  
F4130

(15) Fastener #14  
required at lap



Northern  
F391

(17) Fastener #14  
required at lap



Northern Large  
F883