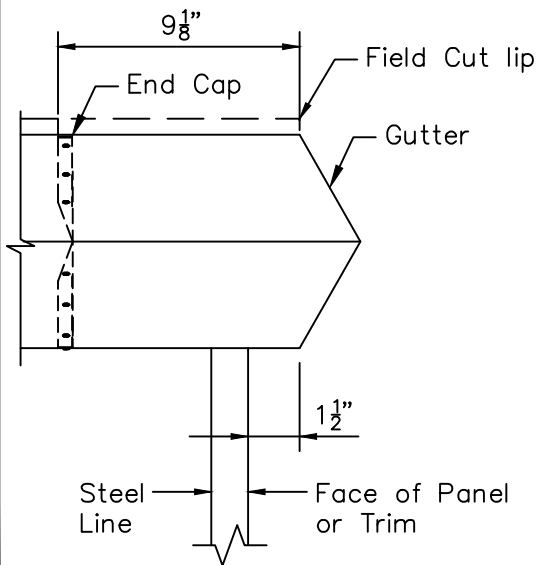
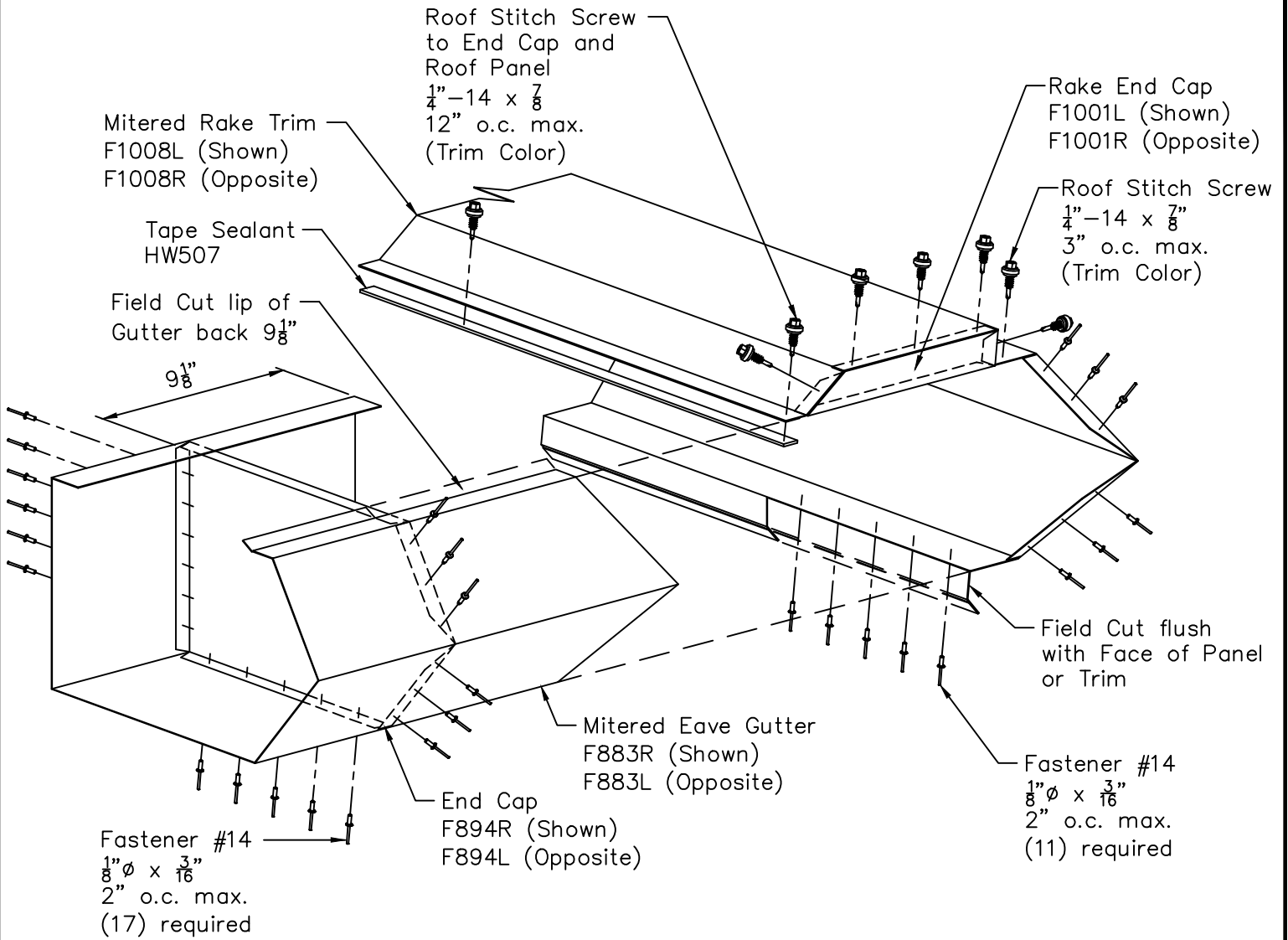


PBR Roof Panel - Northern Extra Large Low Eave Rake Corner with Eave Gutter



Gutter Placement

- 1.) Apply Tube Sealant to End Cap bottom and side tabs. Install Cap $9\frac{1}{8}$ " in from end of Gutter. Inspect after installing and seal any gaps with Tube Sealant.
- 2.) Attach Eave Gutter to Roof Panel locating end $1\frac{1}{2}$ " past face of Panel or Trim. (See Gutter Placement)
- 3.) Align edges of Eave Gutter and Rake Trim and attach Rake Trim as shown. Apply Tube Sealant along edges to seal.
- 4.) See Eave and Rake Construction Details included with Erection Drawings for attachment of Eave Gutter and Rake Trim to Roof and Walls.