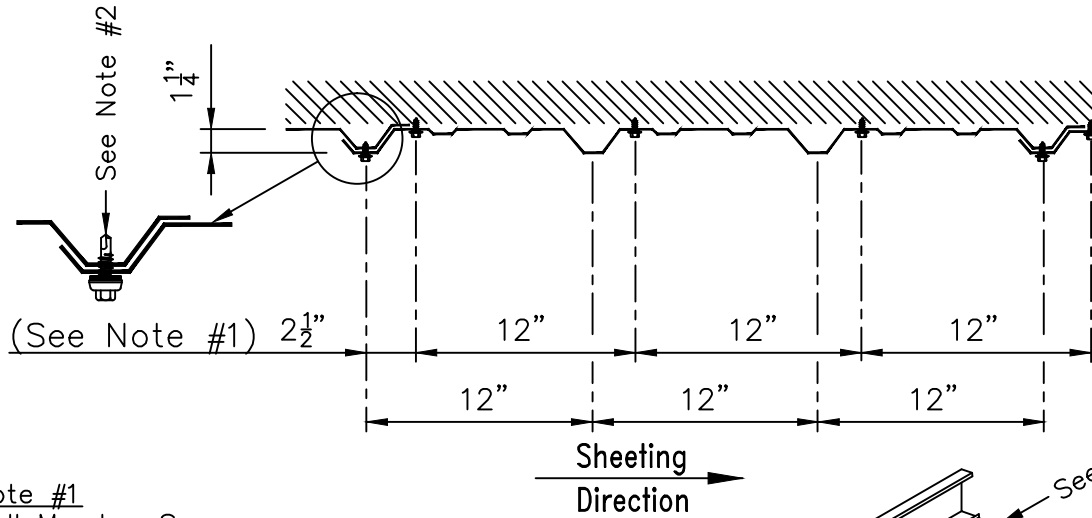
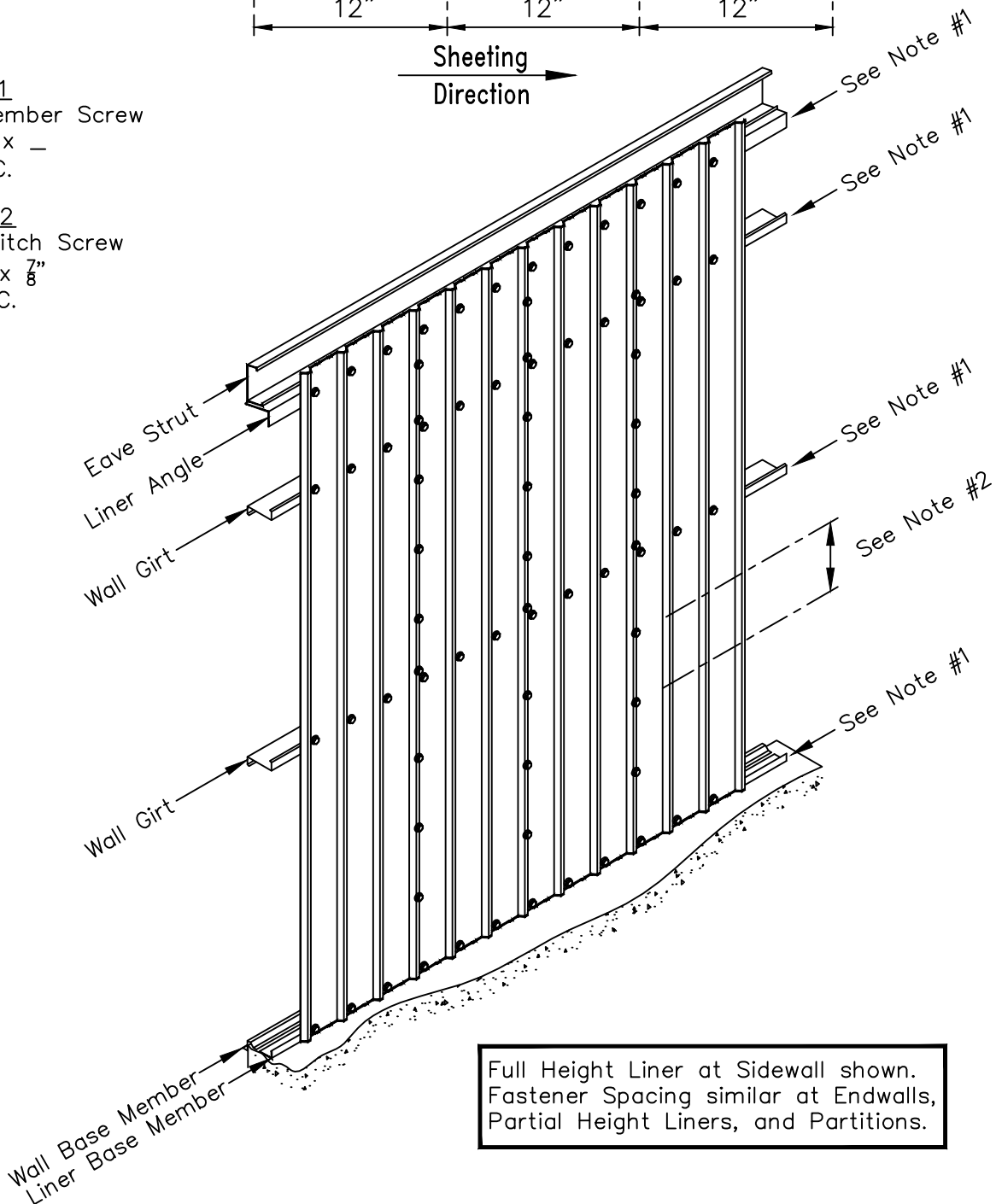


PBR Liner/Partition Panel Fastener Location - Non-Windward



Note #1
Wall Member Screw
12-14 x —
12" O.C.

Note #2
Wall Stitch Screw
1/4"-14 x 7/8"
20" O.C.



Full Height Liner at Sidewall shown.
Fastener Spacing similar at Endwalls,
Partial Height Liners, and Partitions.