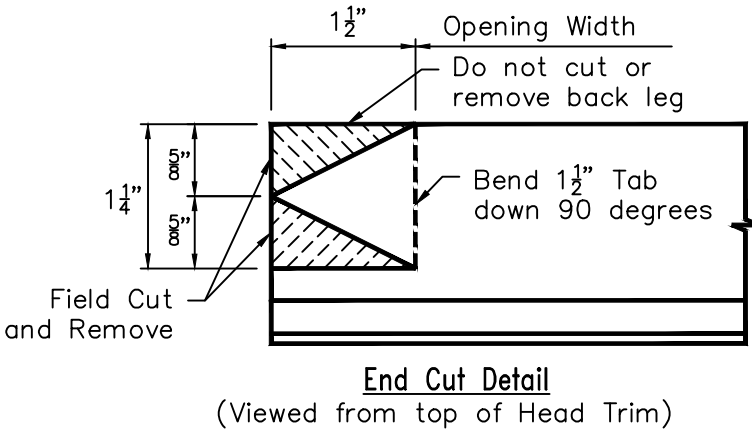
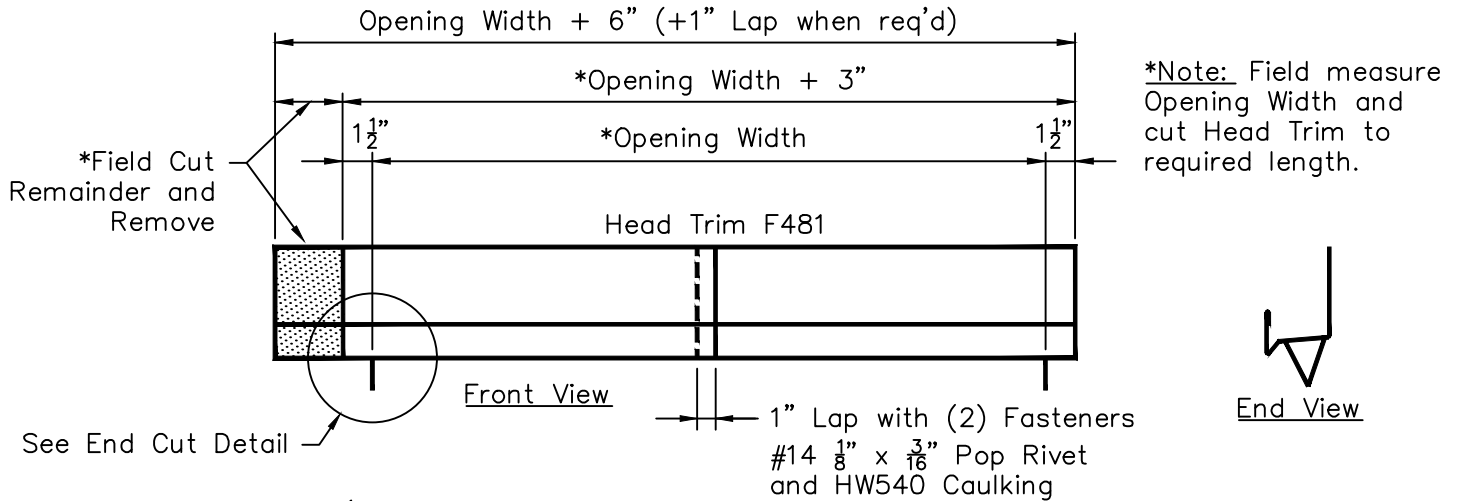


PBR Wall Panel - Three Sided Framed Opening Field Notch and Bend Tabs at Head Trim

Note: Trim Installation can be done by Field Notch Panel as shown on PW07022 & PW07023
OR with Field Notch and Bend Tabs at Head Trim as shown on PW07024 & PW07025.



Note: Panel position is shown with Panel Rib and Opening on 1'-0" module. Location of Rib may vary depending on the Opening Width and location. Field measure before cutting Panel and Trim.

