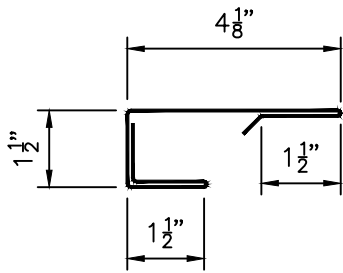
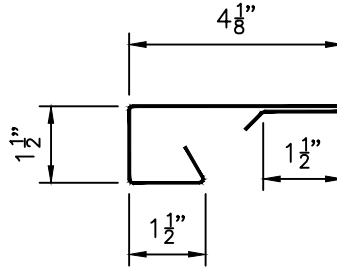


PBR Wall Panel - Three Sided Framed Opening

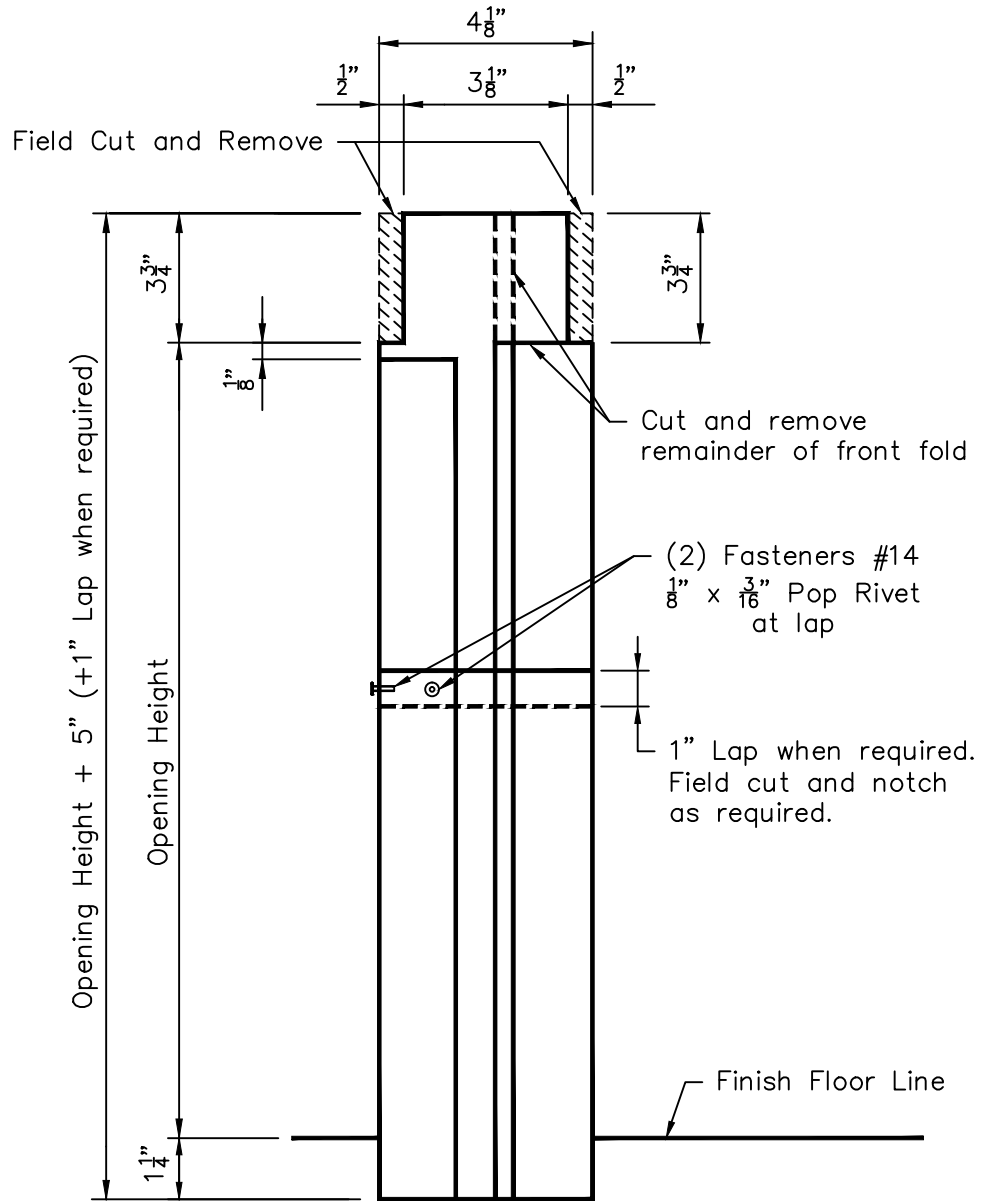
Jamb Trim Field Cut Details



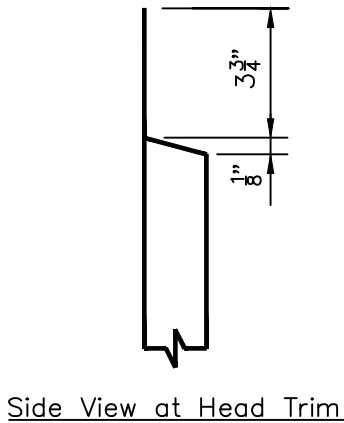
Alternate Jamb Trim F484
Top View



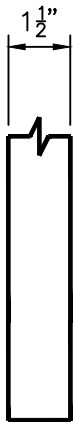
Jamb Trim F482
Top View



Jamb Trim F482 and
Alternate Jamb Trim F484
Front View
Right Jamb Trim as shown
Left Jamb Trim opposite hand



Side View at Head Trim



Side View at Sill Trim

Note: Field measure Opening Height before making field cuts and adjust cut dimensions accordingly.