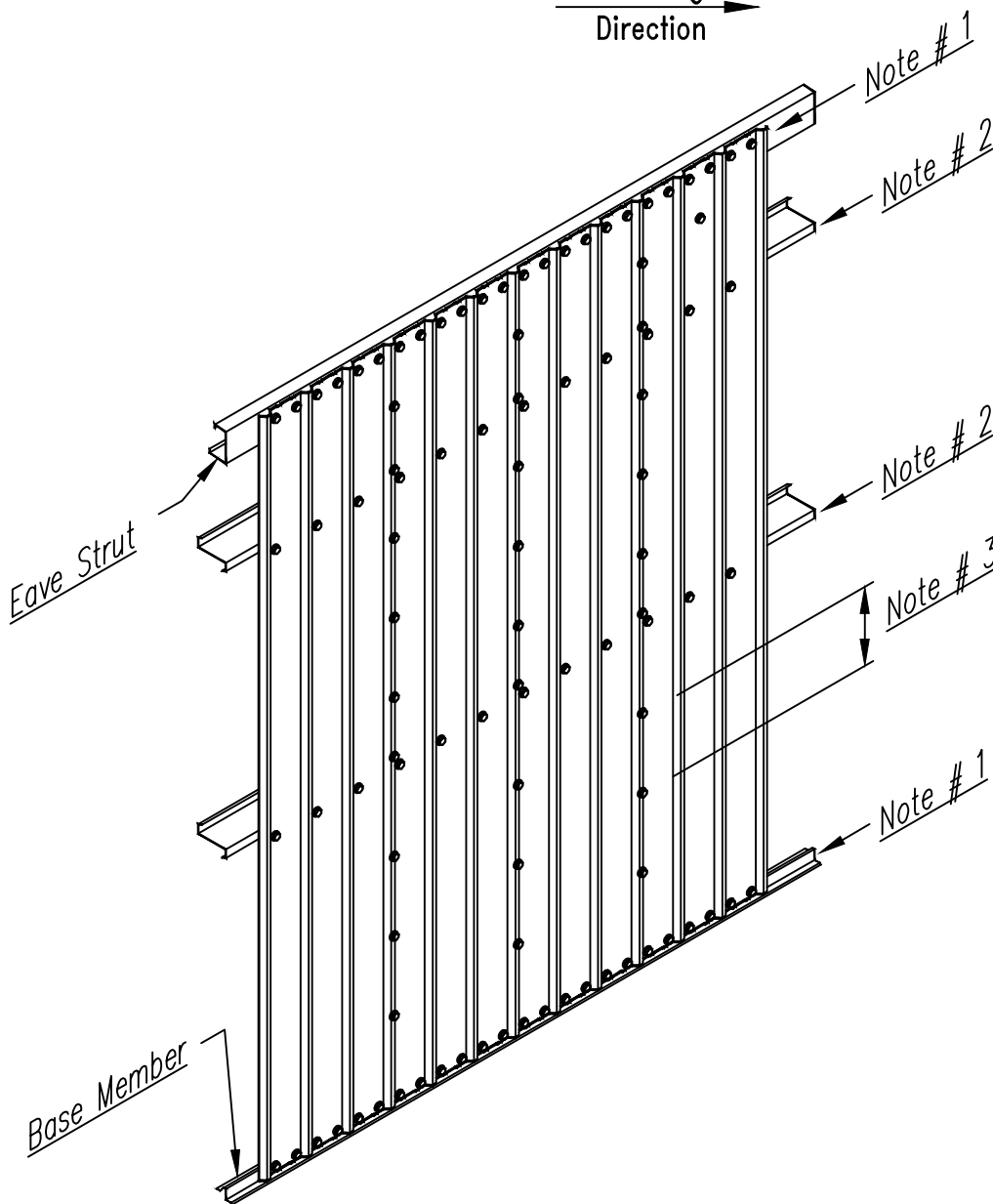
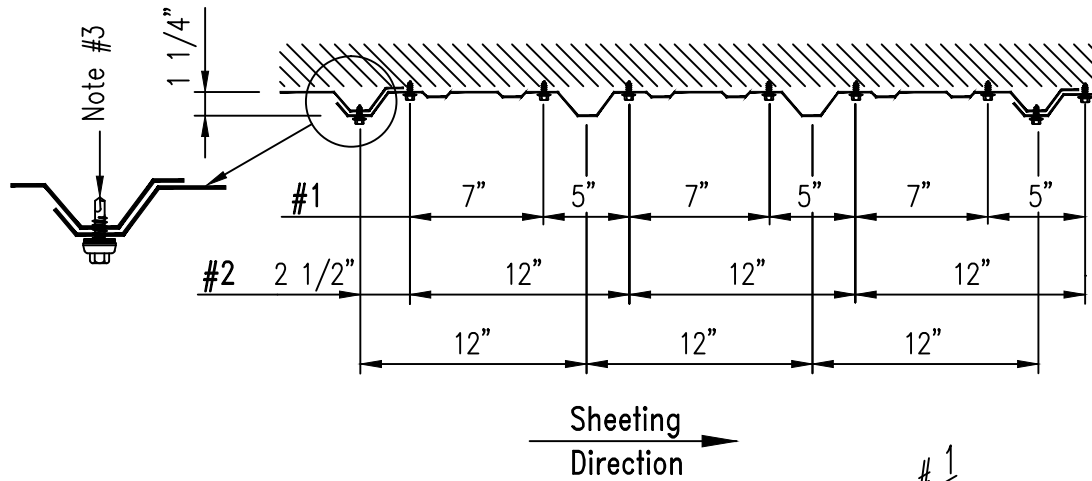


# PBR Wall Panel Fastener Location



Note #1  
Wall Member Screw  
12-14 x \_  
5", 7", 5" pattern

Note #2  
Wall Member Screw  
12-14 x \_  
at 12" O.C.

Note #3  
Wall Stitch Screw  
1/4-14 x 7/8  
at 20" on center