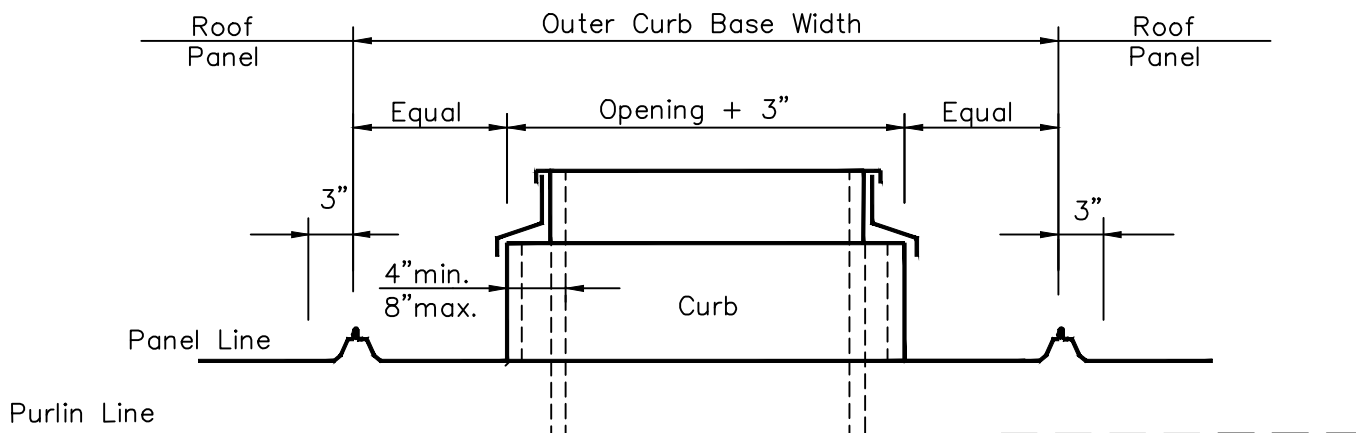


Section Thru Double Wall Curb



Uplift plates may be required for the attachment of the curb to the curb supports.
 Inner Support curb to be at purlin elevation U.N.O.

