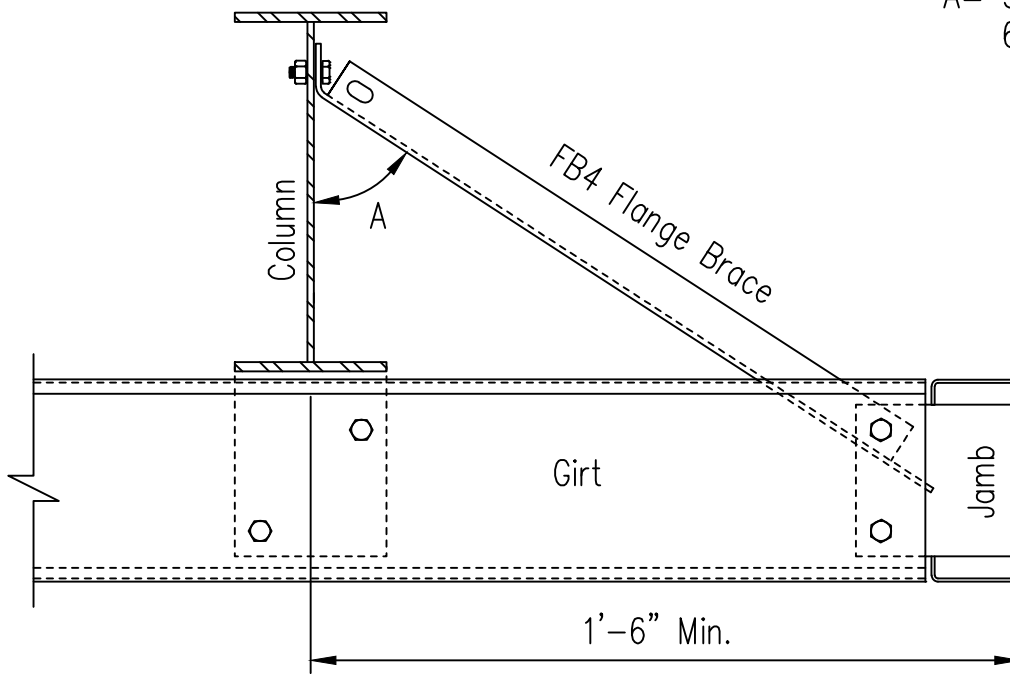
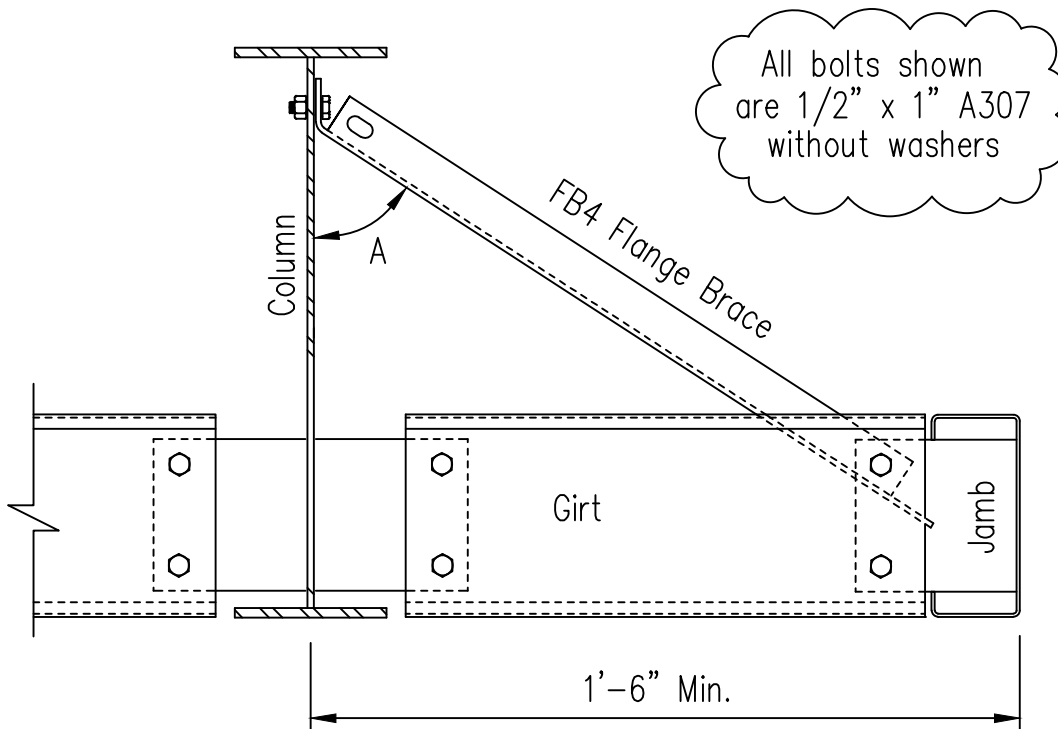


A= 30 Degrees Min.
60 Degrees Max.



By Pass Girt



All bolts shown
are 1/2" x 1" A307
without washers

Flush Girt

FB4 Flange Brace Detail at Framed Opening

08/21/09

Created On: 08/21/09

NOTE: These drawings are intended to depict general installation of item(s) described above. Some item(s) may have been omitted for clarity of presentation. Consult your erection manual or additional SD-Sheets for further guidelines and/or clarifications.

DRAWING NO.

SD6V