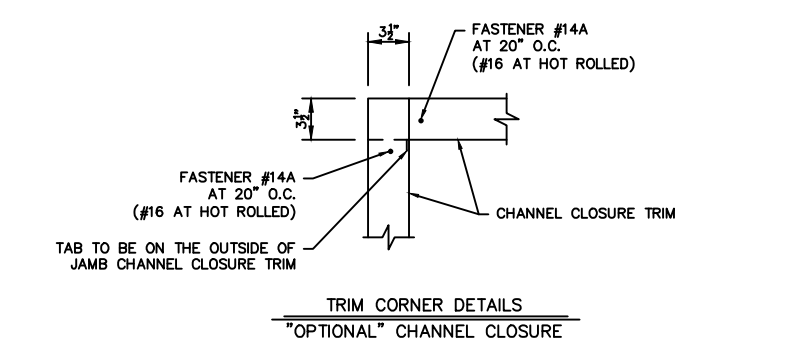


CHANNEL CLOSURE TRIM PIECE MARK

F981	- 8" MEMBER
F2994	- 8 1/2" MEMBER
F2991	- 8 3/4" MEMBER
F2992	- 8 1/2" MEMBER
F982	- 10" MEMBER
F2993	- 10 1/2" MEMBER
F169	- 12" MEMBER
F2995	- 12 1/2" MEMBER



JAMB TRIM APPLICATION (AT CURB)

JAMB TRIM APPLICATION (JAMB AT FIN. FLOOR)

TYPICAL FRAMED OPENING TRIM (PBR SHOWN AVP SIMILAR)

- NOTES**
- HEAD AND JAMB TRIM IS PROVIDED IN NOMINAL LENGTHS AND MAY REQUIRE FIELD CUTTING TO LENGTH.
HEAD TRIM LENGTH = NOMINAL OPENING WIDTH + 6" (+1" EACH LAP)
JAMB TRIM LENGTH = NOMINAL OPENING HEIGHT + 5" (+1" EACH LAP)
 - ALL TRIM IS TO BE INSTALLED BEFORE BLANKET INSULATION IS APPLIED TO WALLS.
 - FIELD MEASURE OPENING WIDTH AND HEIGHT BEFORE MAKING FIELD CUTS AND ADJUST CUT DIMENSIONS ACCORDINGLY.
 - PANEL POSITION IS SHOWN WITH PANEL RIB AND OPENING ON 1'-0" MODULE. LOCATION OF RIB MAY VARY DEPENDING ON THE OPENING WIDTH AND LOCATION. FIELD MEASURE BEFORE CUTTING PANEL AND TRIM.
 - TRIM INSTALLATION CAN BE DONE BY FIELD NOTCH PANEL AS SHOWN BY OPTION "1" OR WITH FIELD NOTCH AND BEND TABS AT HEAD TRIM AS SHOWN BY OPTION "2".

