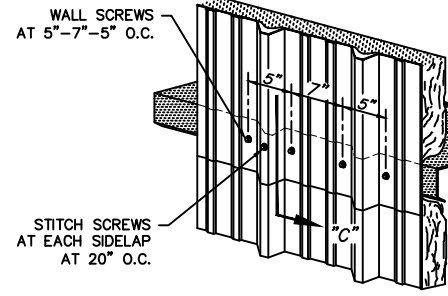
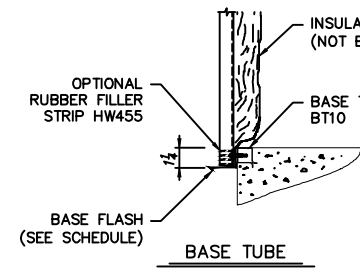
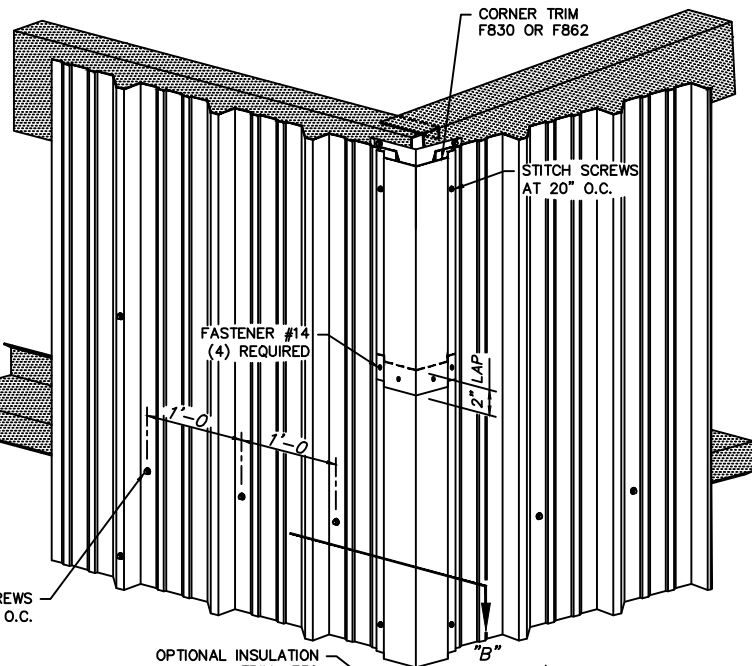


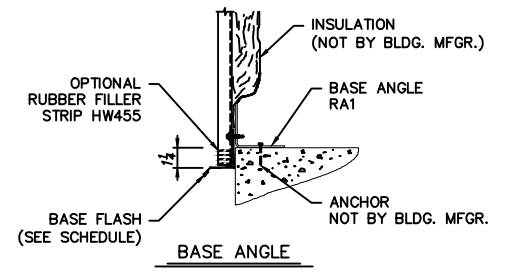
REFER TO ROOF PANEL CONSTRUCTION DRAWINGS FOR SECTIONS AND SCREW PLACEMENT AT EAVE AND GABLE.



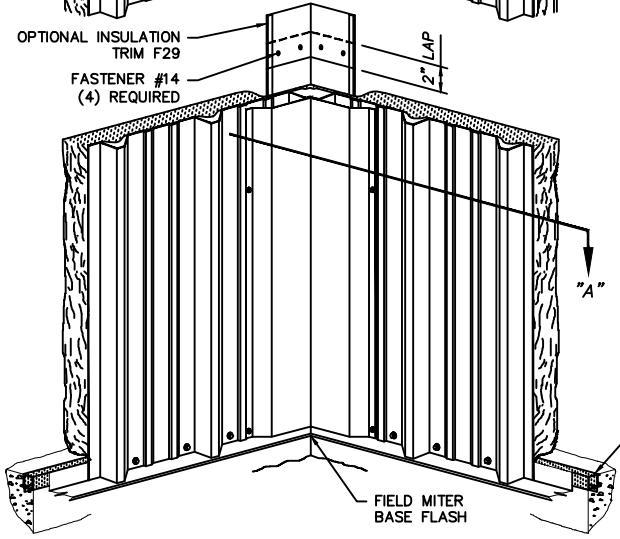
WALL PANEL ENDLAP
(REFER TO ERECTION DRAWINGS)



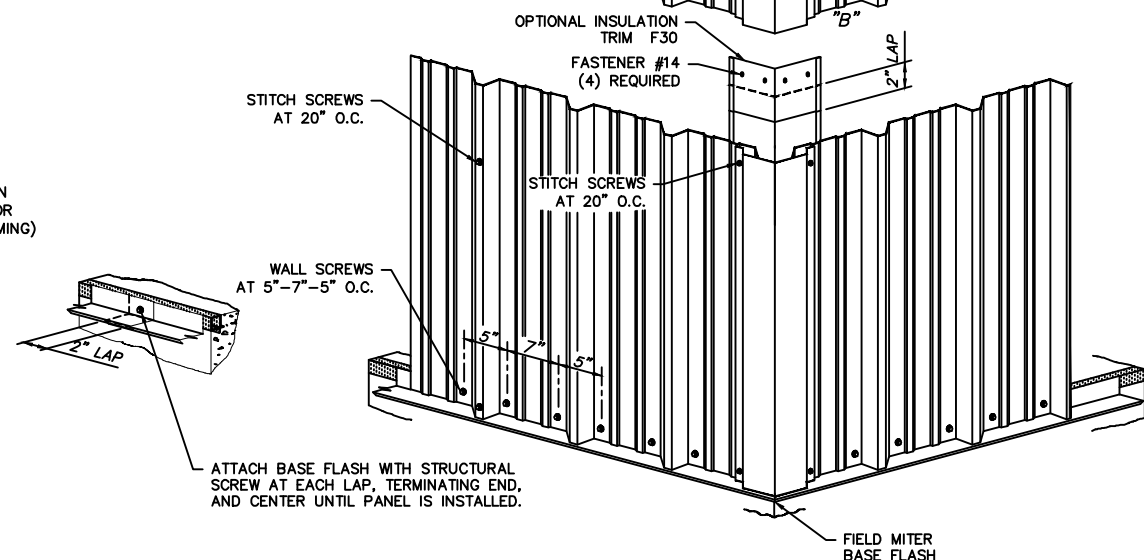
BASE TUBE



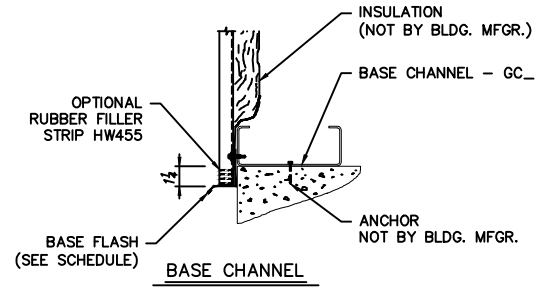
BASE ANGLE



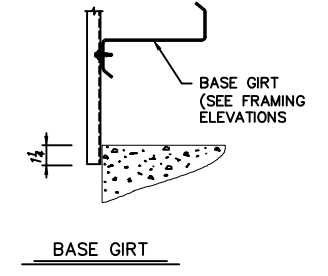
SECTION "A"



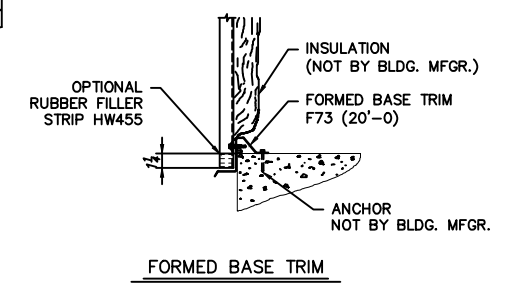
SECTION "B"



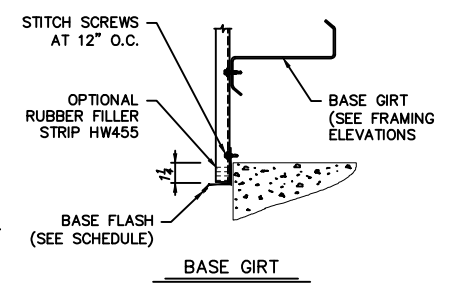
BASE CHANNEL



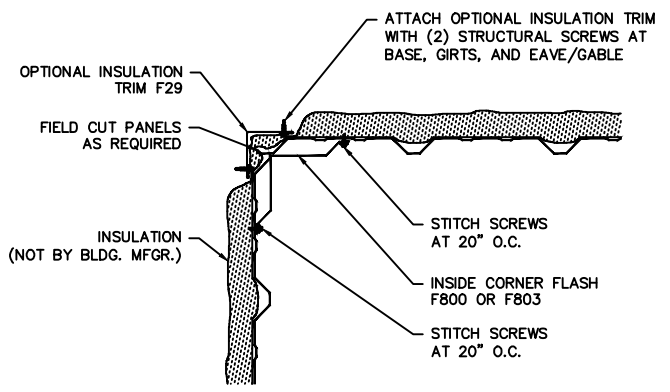
BASE GIRT



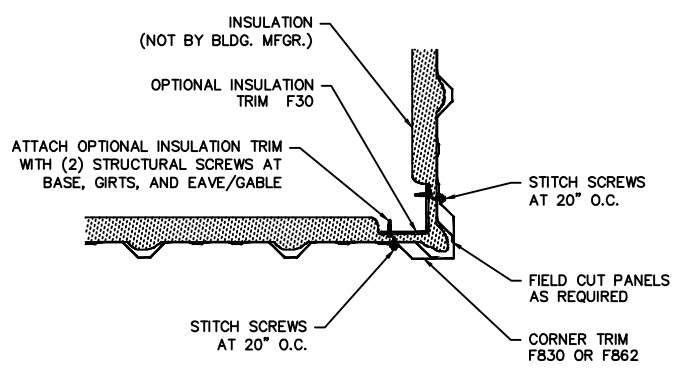
FORMED BASE TRIM



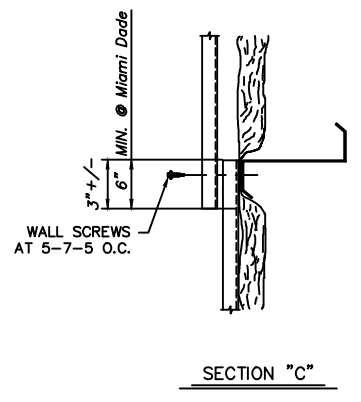
BASE GIRT



SECTION "A"



SECTION "B"



SECTION "C"

BASE FLASH	
F405	
F406	
F407	
F408	

- NOTES:
1. SIDEWALL PANEL LENGTH IS EQUAL TO NOMINAL EAVE HEIGHT MINUS 1/2"
 2. ALL BASE FLASH, RUBBER, FOAM OR METAL RIB FILLERS ARE OPTIONAL ITEMS AND MAY OR MAY NOT BE ON JOB FOR INSTALLATION.
 3. TRIM PARTS ARE PROVIDED IN STANDARD LENGTHS AND MAY REQUIRE FIELD CUTTING TO LENGTH. (NOTE! REMAINDER MAY BE REQUIRED AT A DIFFERENT LOCATION.)