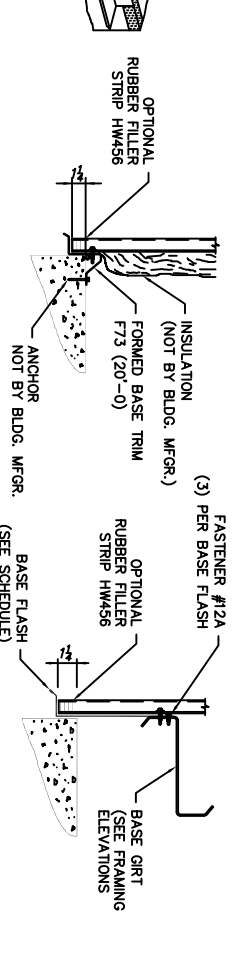
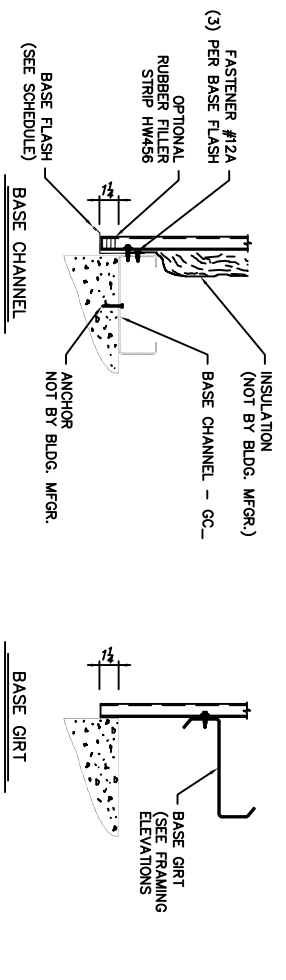
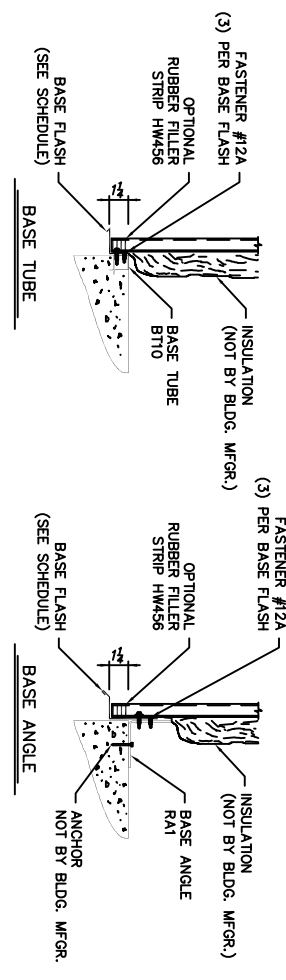
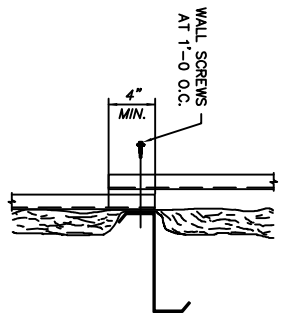
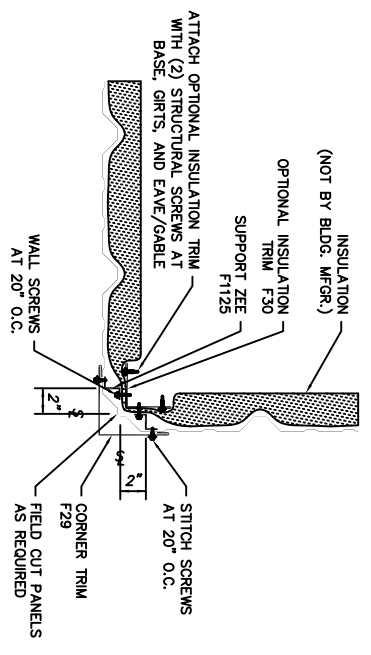
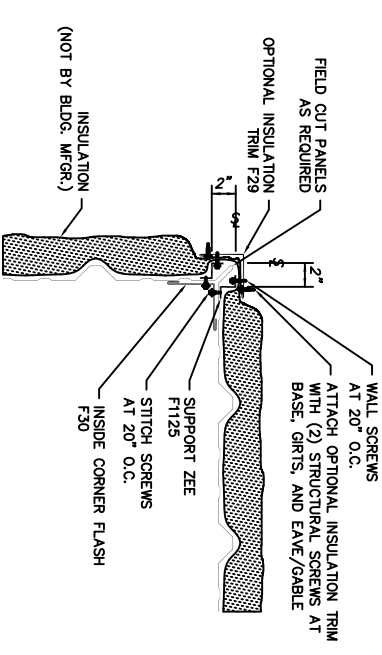
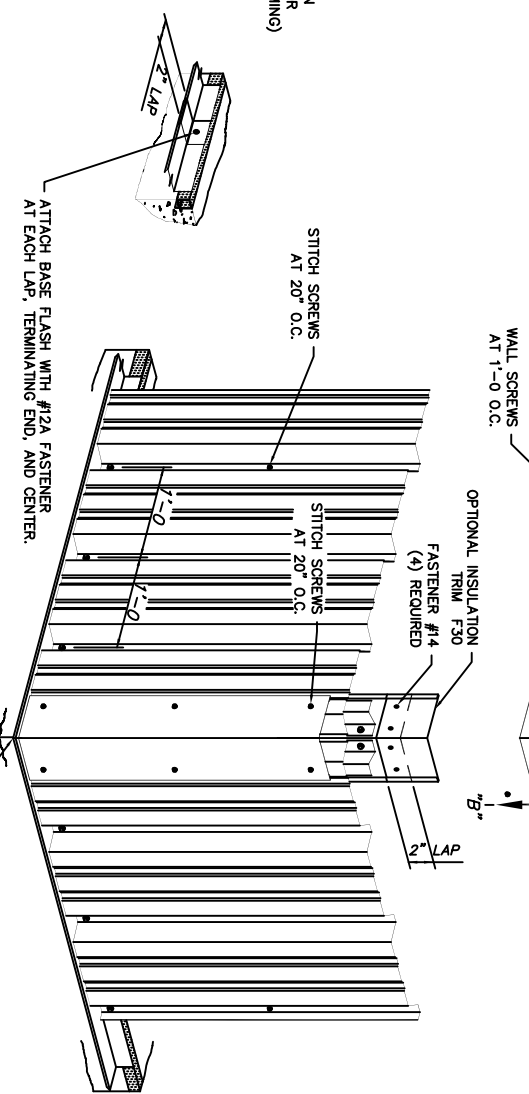
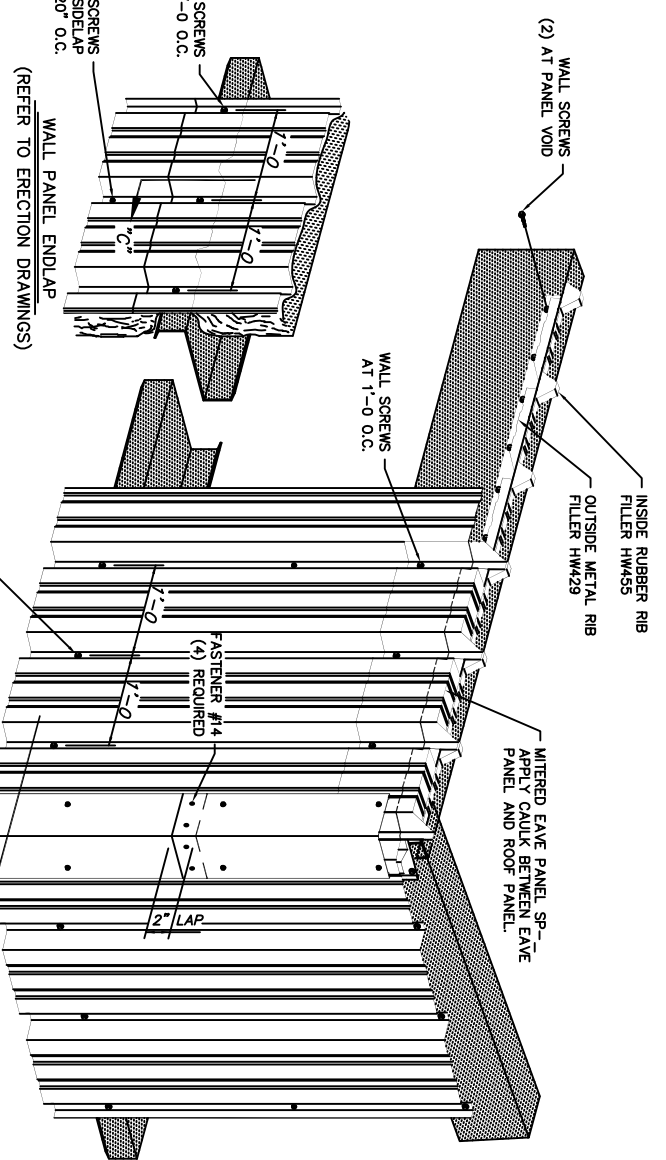
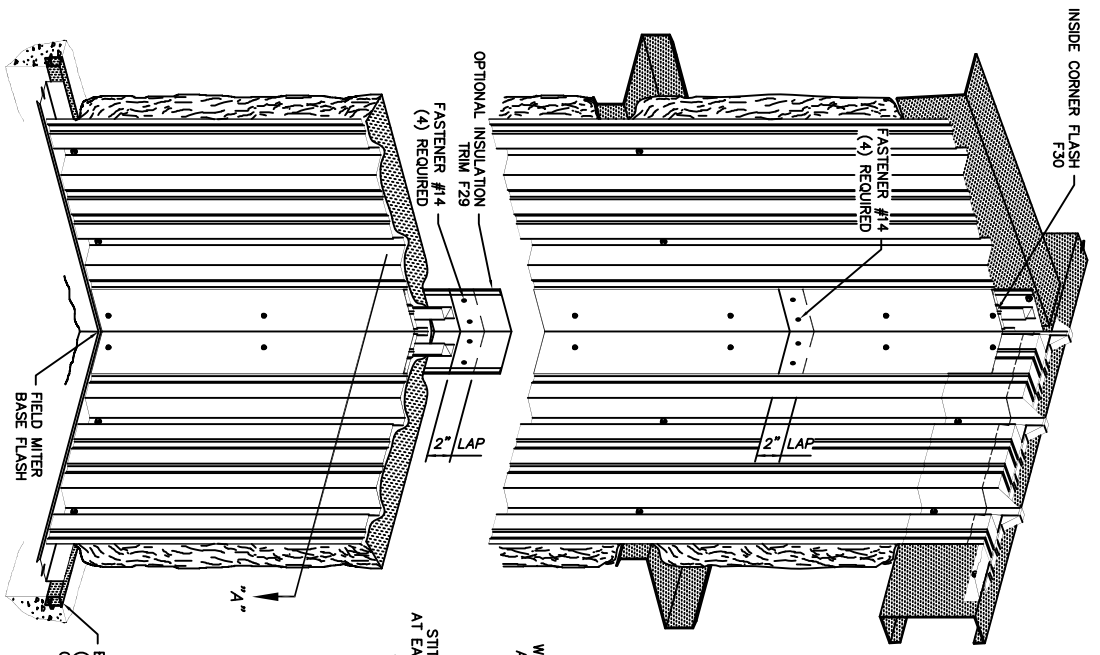


REFER TO ROOF PANEL CONSTRUCTION DRAWINGS FOR SECTIONS AND SCREW PLACEMENT AT EAVE AND GABLE.



BASE FLASH
F405
F406
F407
F408

- NOTES:
1. SIDEWALL PANEL LENGTH IS EQUAL TO NOMINAL EAVE HEIGHT MINUS  $\frac{1}{2}$ "
  2. ALL BASE FLASH, RUBBER, FOAM OR METAL RIB FILLERS ARE OPTIONAL ITEMS AND MAY NOT BE ON JOB FOR INSTALLATION.
  3. TRIM PARTS ARE PROVIDED IN STANDARD LENGTHS AND MAY REQUIRE FIELD CUTTING TO LENGTH. (NOTE! REMAINDER MAY BE REQUIRED AT A DIFFERENT LOCATION.)
  4. FIELD DRILLING OF  $\frac{1}{8}$ " HOLES ARE REQUIRED FOR THE INSTALLATION OF FASTENER #14 =  $\frac{1}{8}$ " X  $\frac{1}{8}$ " POP RIVETS.