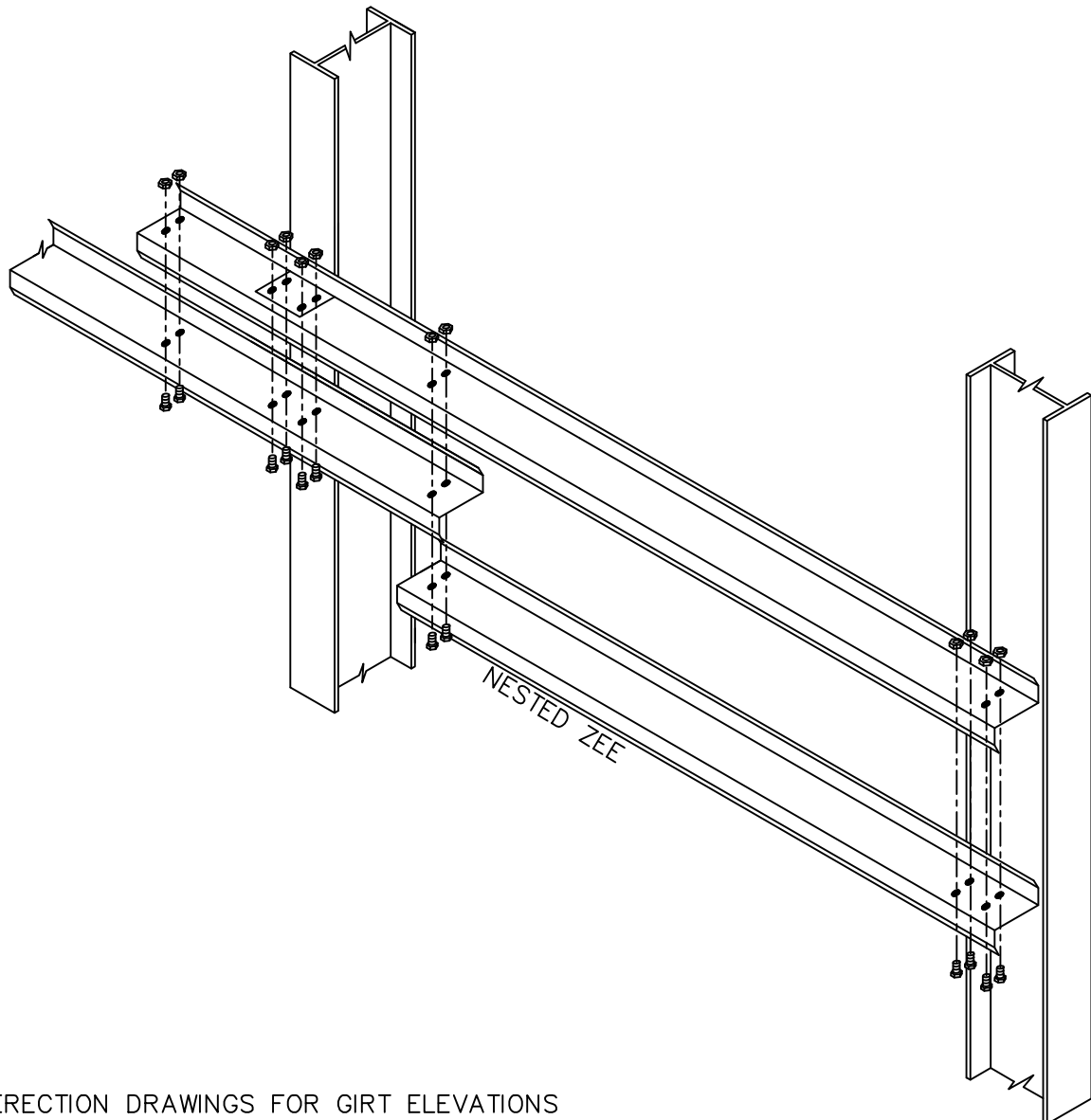
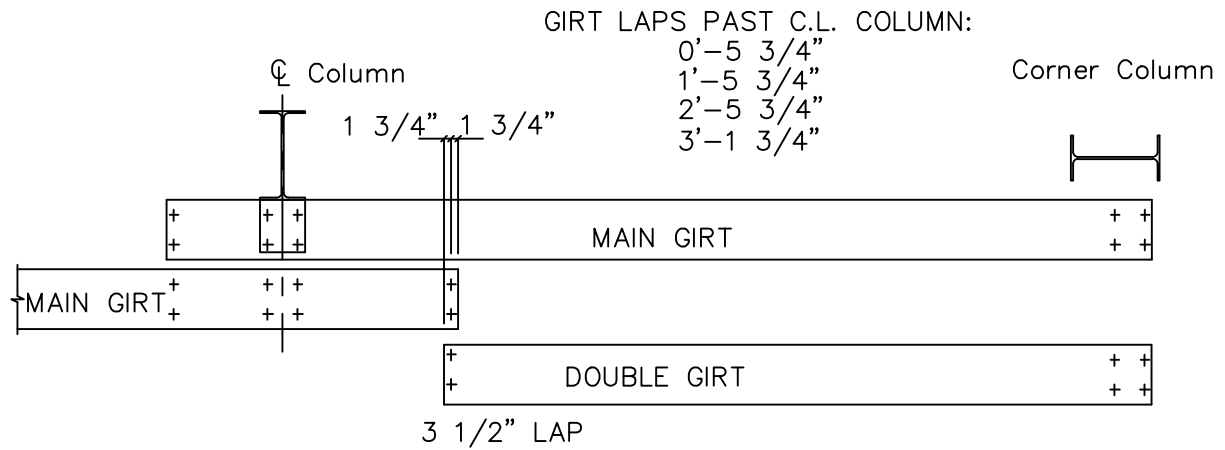


Welded Clip Endwall End Bay with Nested Zee Girt



SEE ERECTION DRAWINGS FOR GIRT ELEVATIONS