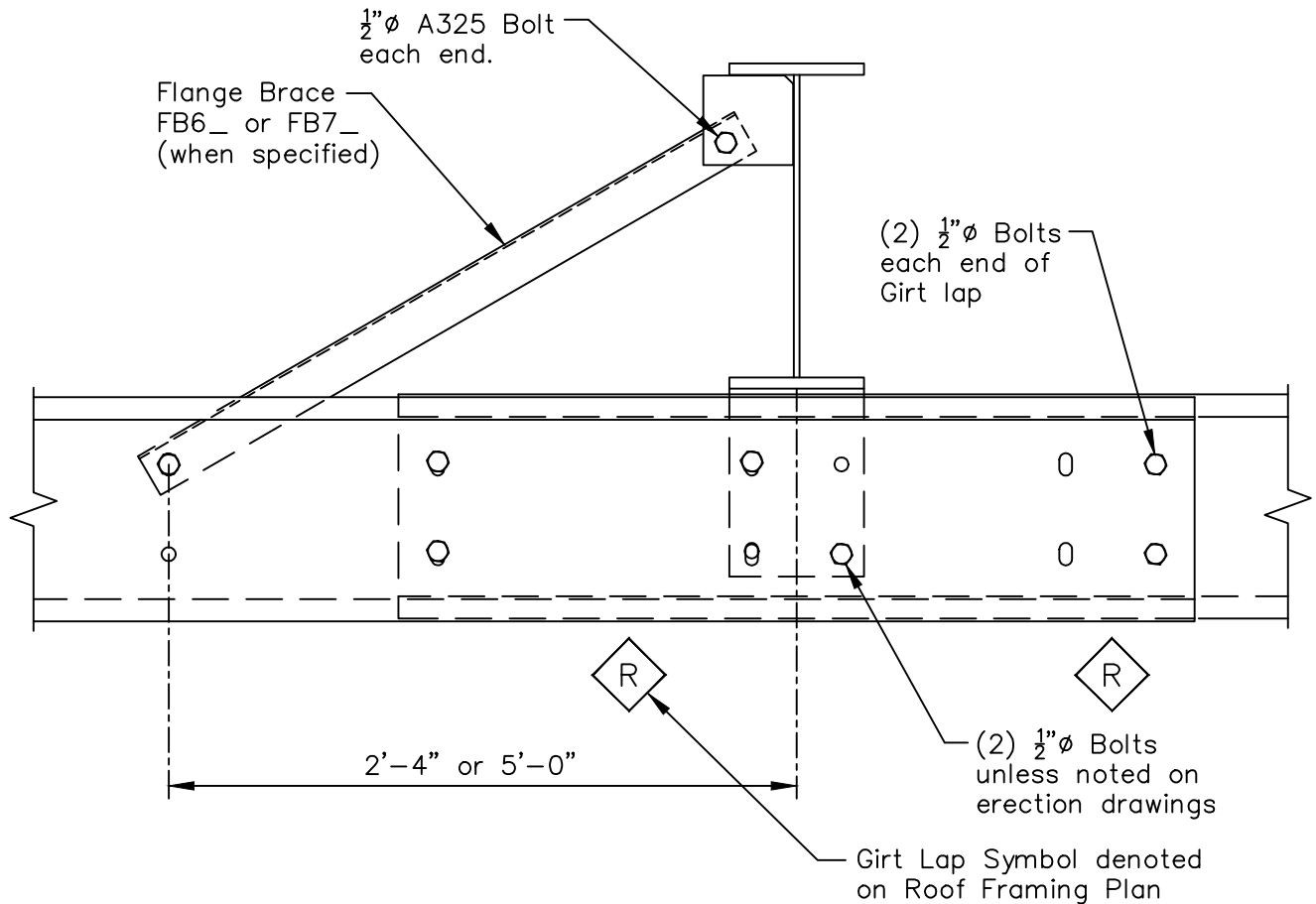


By-Pass Girt to Column

Standard Connection - Flange Brace FB6_ or FB7_

Page	CF01127
Date	Dec '10
Rev.	00

Erection Note
 Lap and attachment of Girt varies refer to "Elevation Plan" and Lap Detail for requirements.



Erection Note
 Flange Braces may be required one or both sides of Column.
 For requirements, and locations at Main Frame and Rigid Frame in Endwall refer to "Cross Section".
 For requirements, and locations at Bearing Frame Endwall refer to "Elevation Plan".