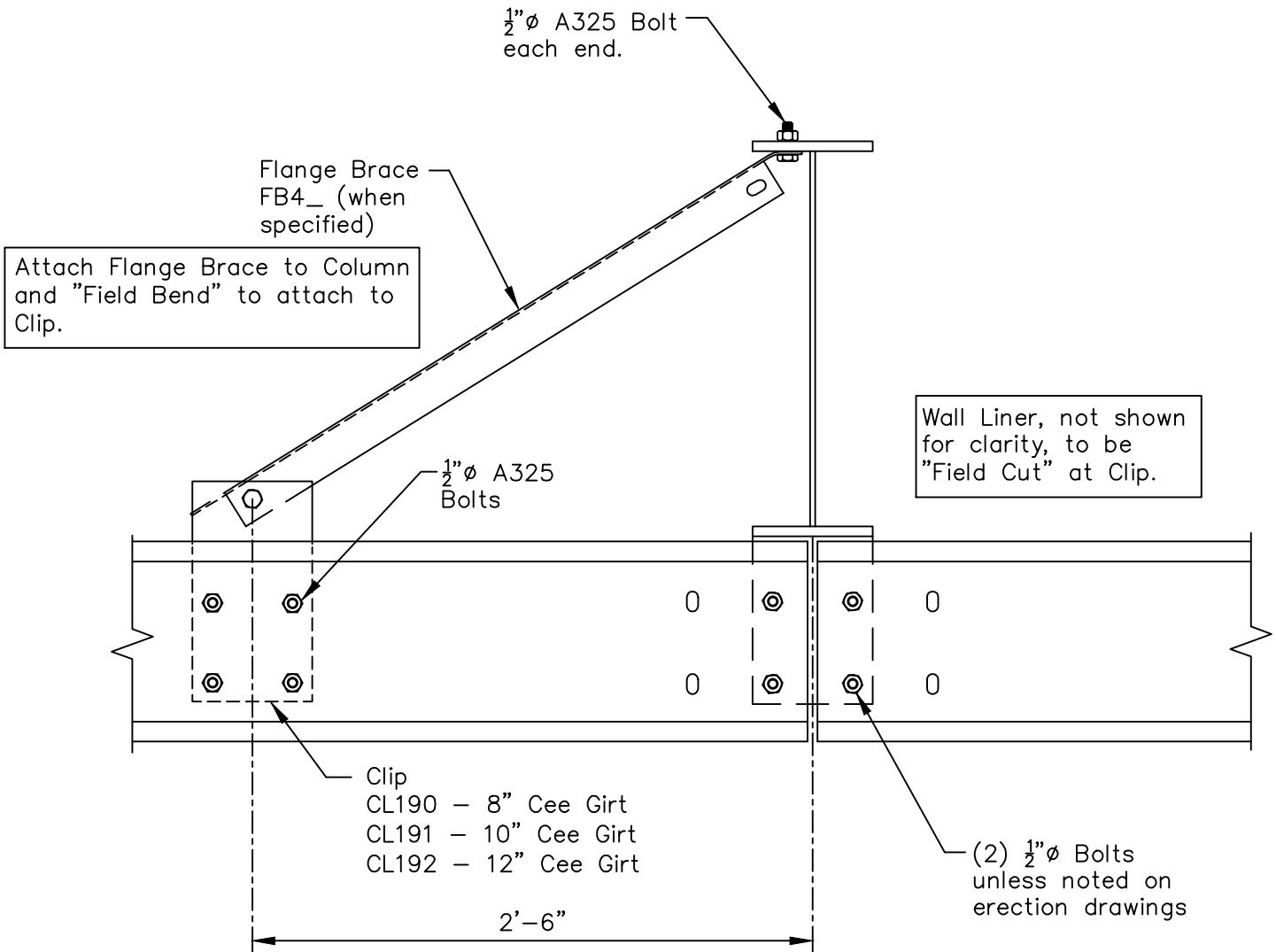


Cee Girt to Column

"Optional" Liner Connection - Flange Brace FB4_

Erection Note
Attachment of Cee Girt varies refer to Wall Elevation.



Erection Note
Flange Braces may be required one or both sides of Column.
For requirements, and locations at Main Frame and Rigid Frame in Endwall refer to "Cross Section".
For requirements, and locations at Bearing Frame Endwall refer to "Elevation Plan".