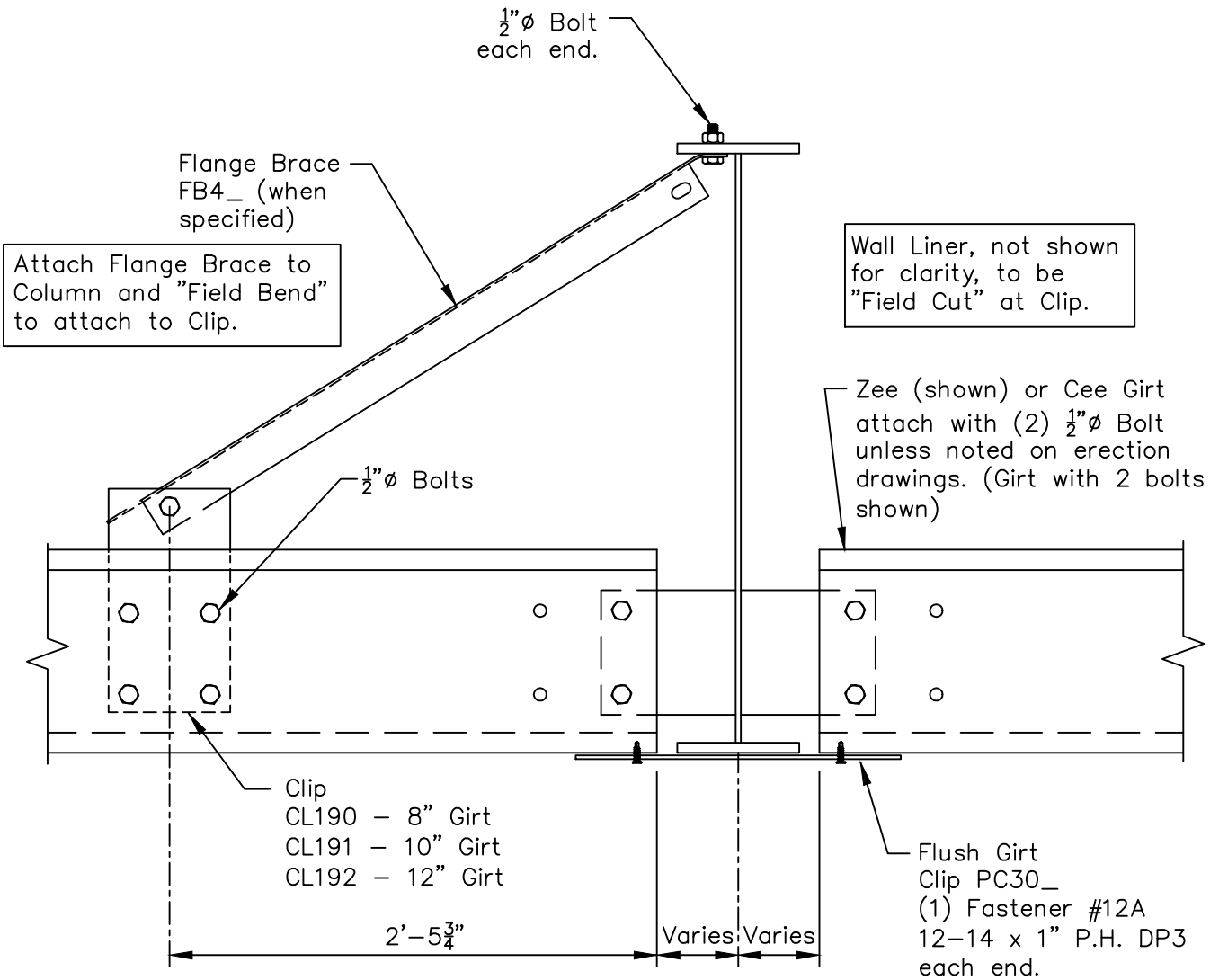


Flush Girt to Column

"Optional" Liner Connection - Flange Brace FB4_



Erection Note

Flange Braces may be required one or both sides of Column.

For requirements, and locations at Main Frame and Rigid Frame in Endwall refer to "Cross Section".

For requirements, and locations at Bearing Frame Endwall refer to "Elevation Plan".