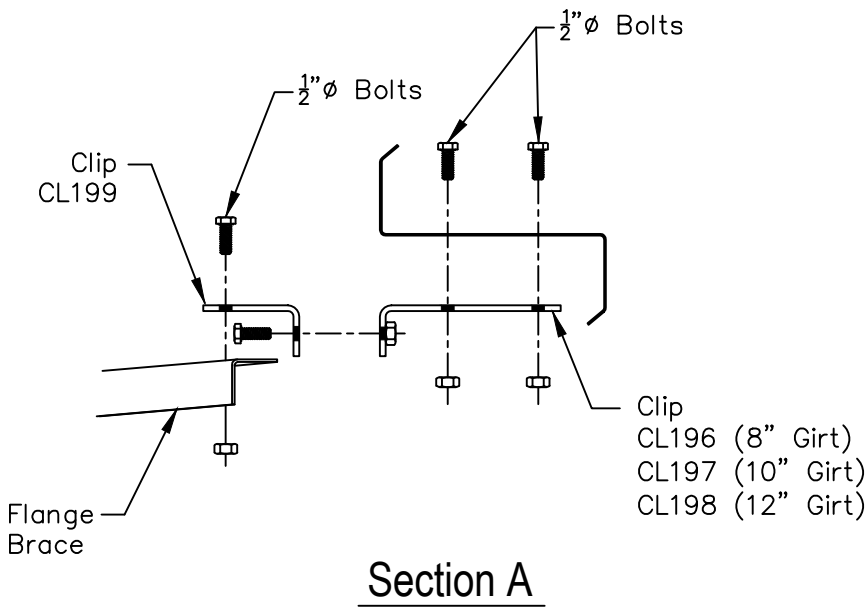
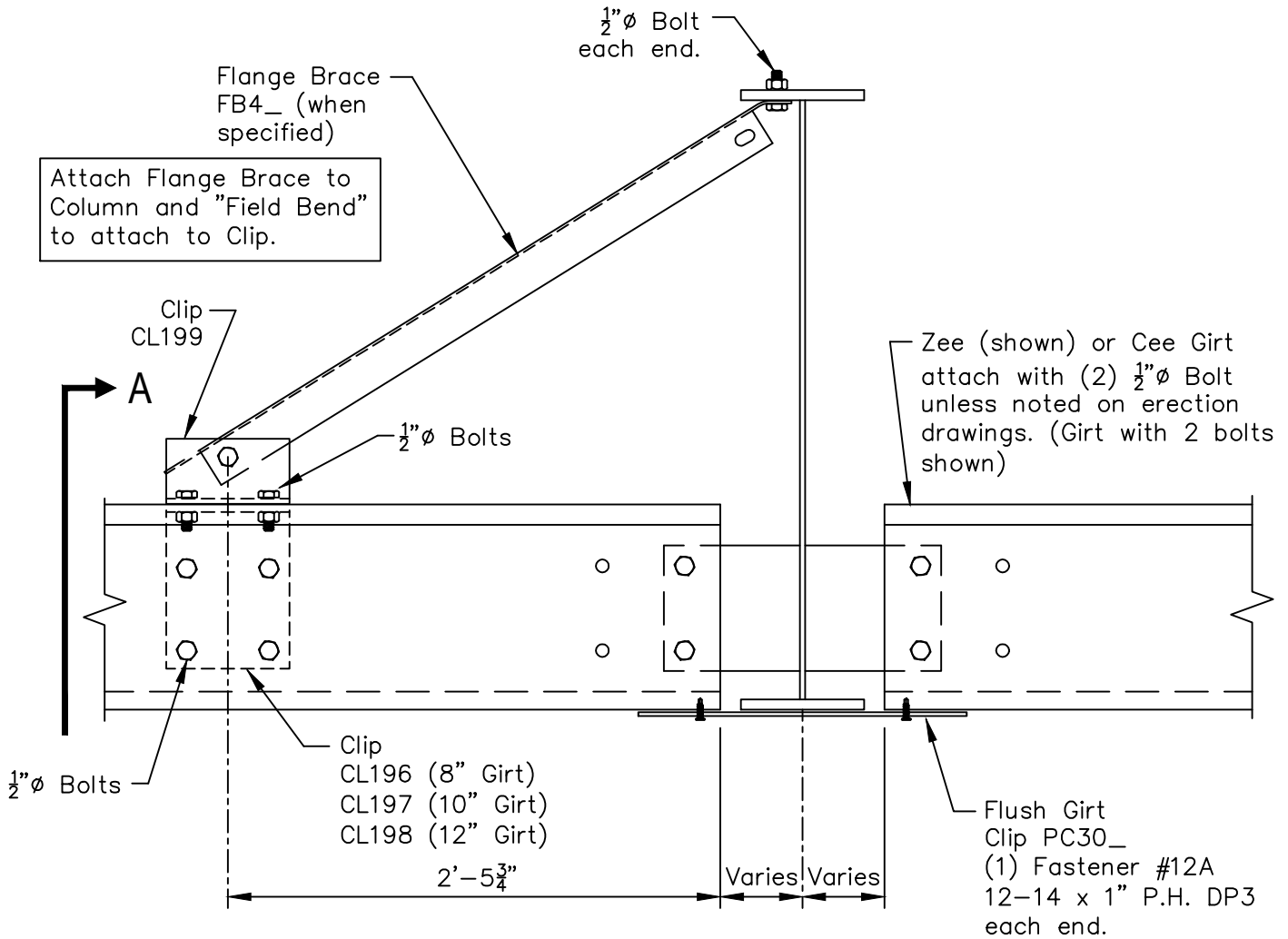


Flush Girt to Column Concealed Nut Connection - Flange Brace FB4_



Erection Note

Flange Braces may be required one or both sides of Column. For requirements, and locations at Main Frame and Rigid Frame in Endwall refer to "Cross Section". For requirements, and locations at Bearing Frame Endwall refer to "Elevation Plan".

Attach this Clip and Flange Brace with Bolts "Finger Tightened" as Girts are erected to maintain stability. Un-bolt Clip to install Vapor Barrier Membrane (Not by Bldg. Mfr.). Pierce Membrane for Clip bolts and reattach clip. Fully tighten bolts via pretensioning method specified per job.