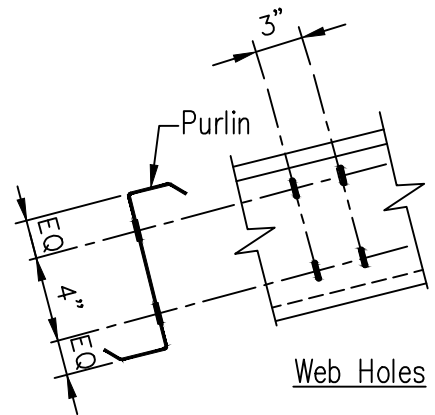
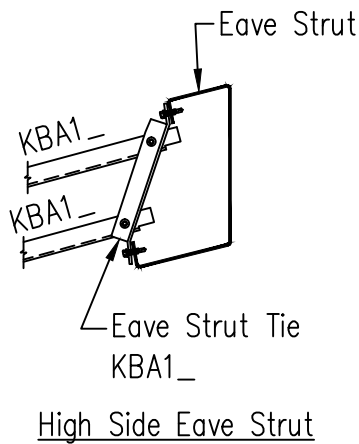
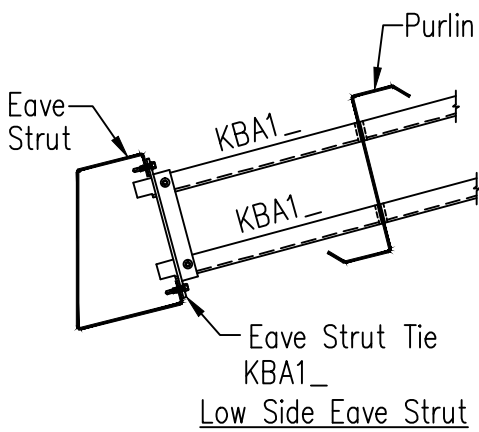
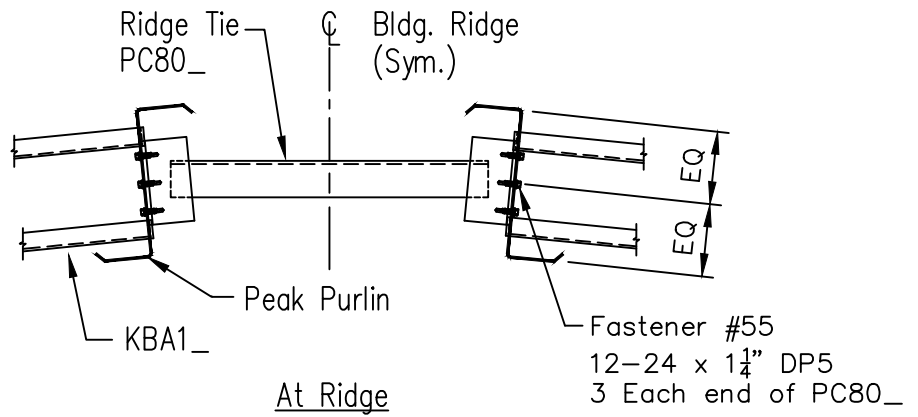
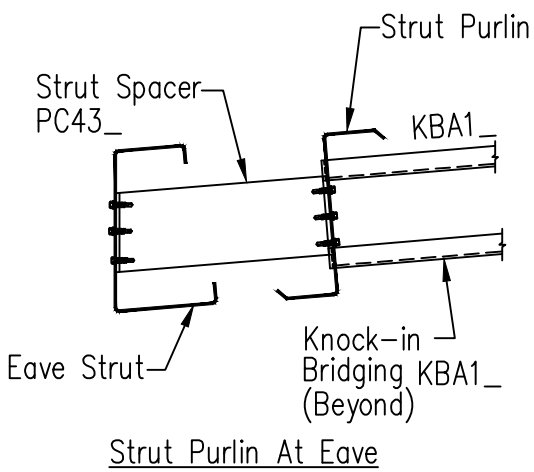
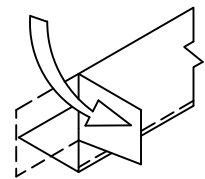
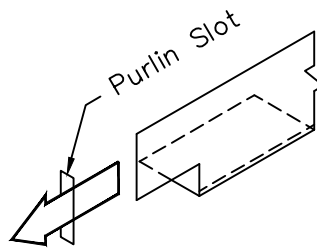
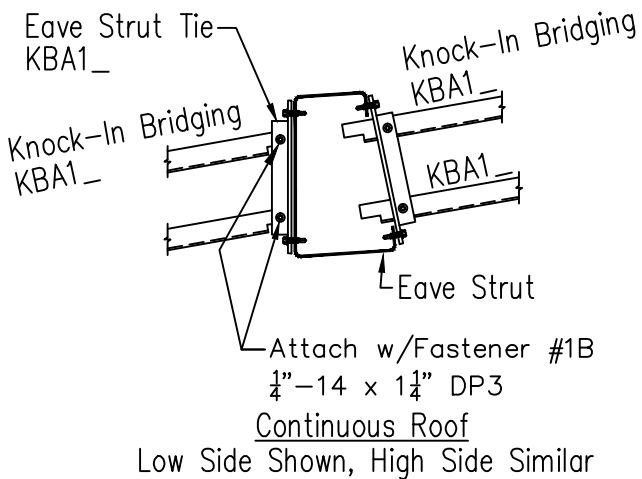


Knock-In Bridging Installation

(Double Row) - 0 to 4½:12 Roof Slopes



All fasteners shown are #1B
¼"-14 x 1¼" DP3 unless noted



Note: The bridging must be inserted into the pre-punched slot in the Purlin as shown in Step 1 and the tab bent side ways for proper installation Step 2. The process must be complete for the bridging to function as designed.