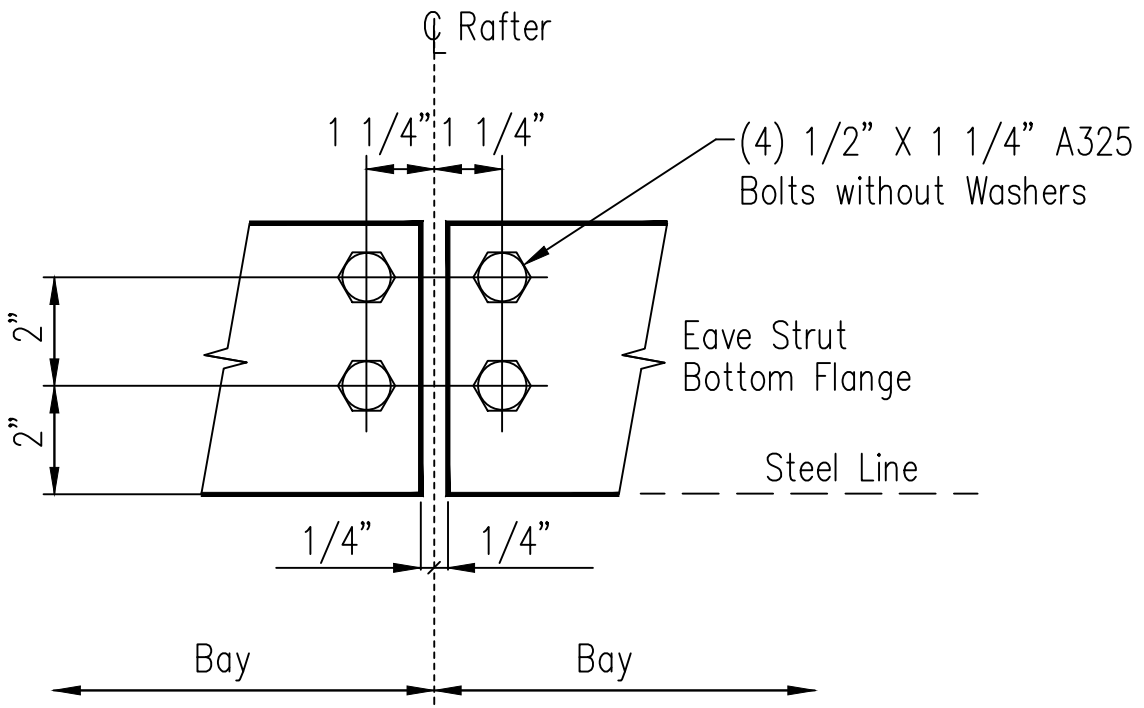
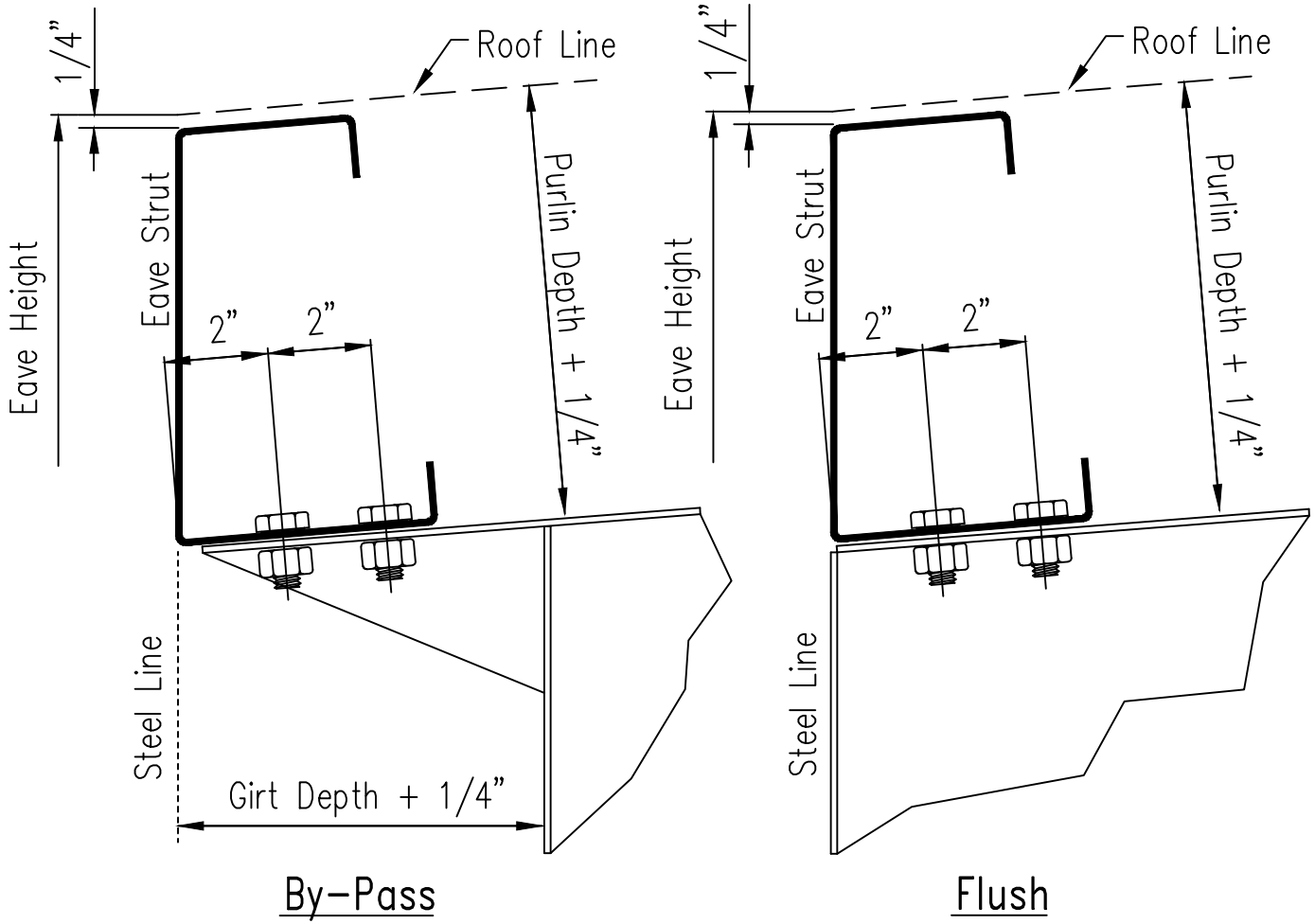


Eave Strut Connection at Main Frame Interior Bay

SHT. NO.	CF02030
DATE	Feb '11
REV. NO.	01



(4) 1/2" X 1 1/4" A325 Bolts without Washers

Eave Strut Bottom Flange

Steel Line