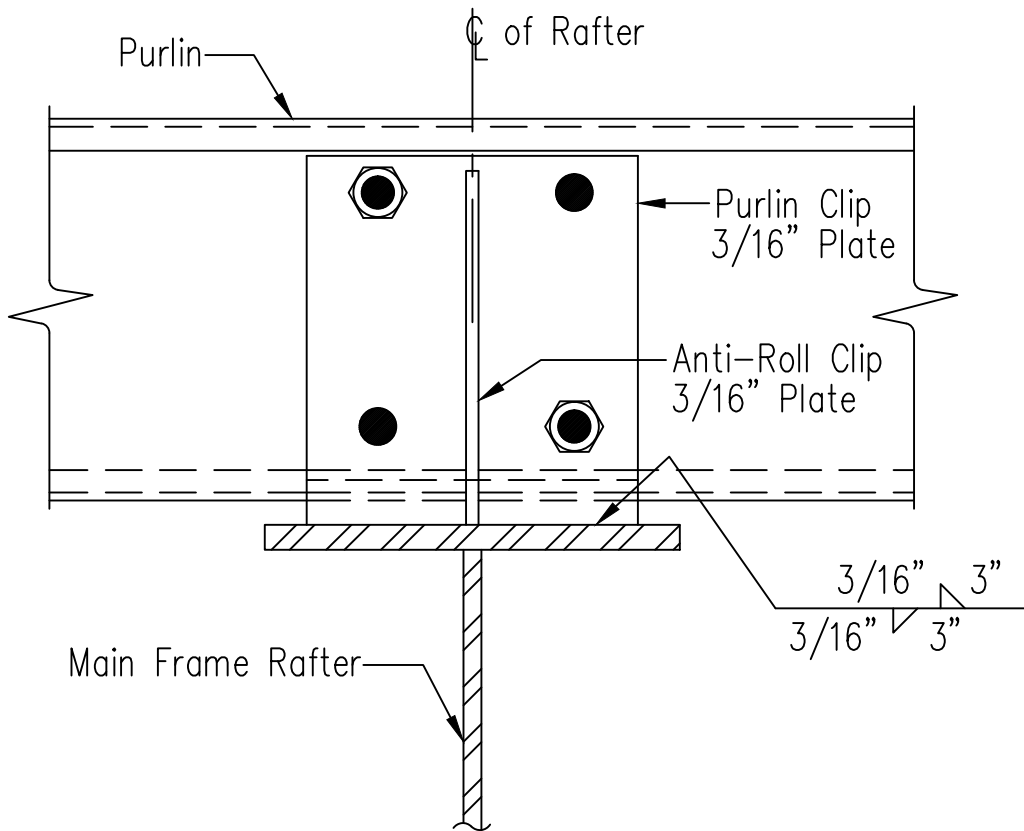
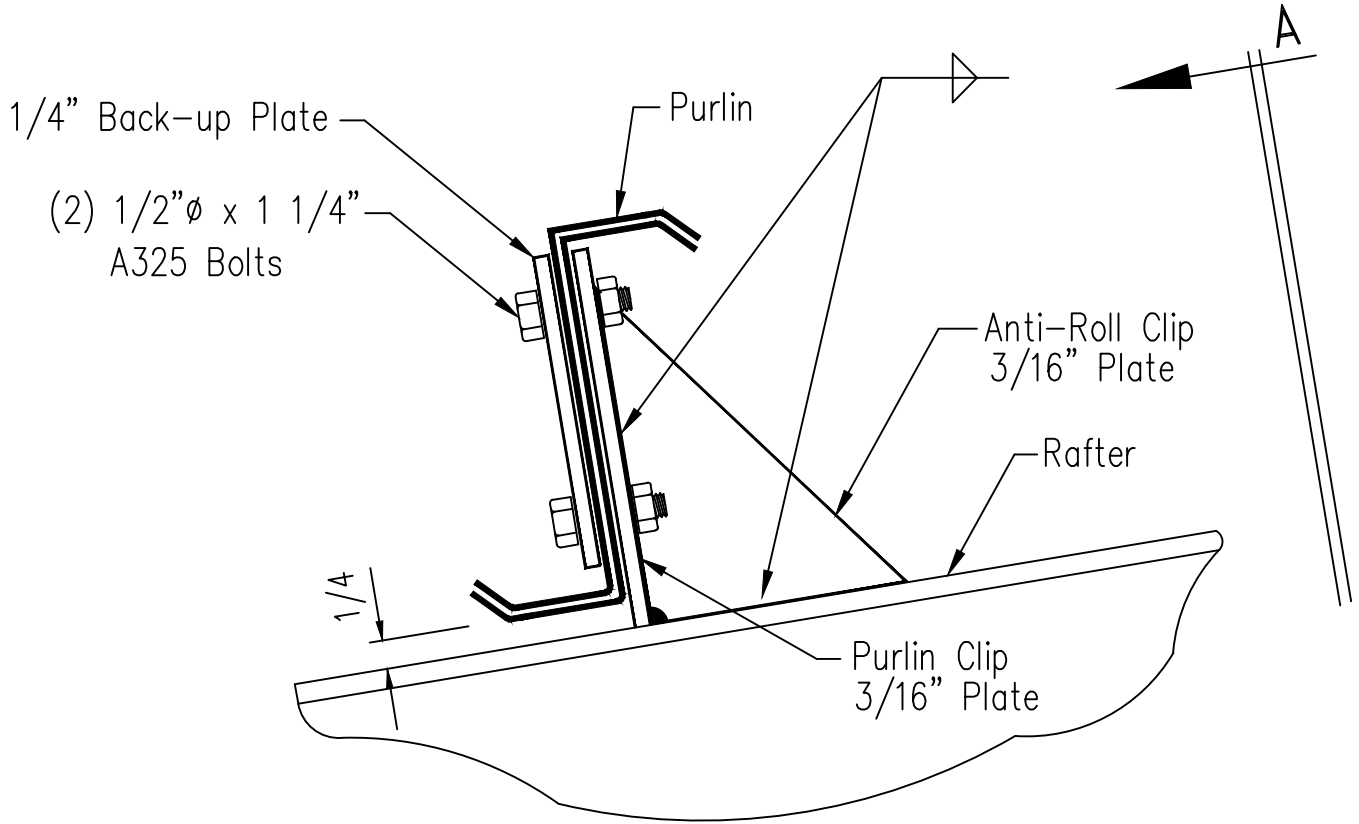


Purlin Anti-Roll Clip (W/Back-up Plate) (at Built-up/Hot-Rolled Rafter)

SHT. NO. **CF02035**
DATE **Feb '11** REV. NO. **01**



Section A