

# Purlin to Rafter

## Standard Connection - Flange Brace FB4\_

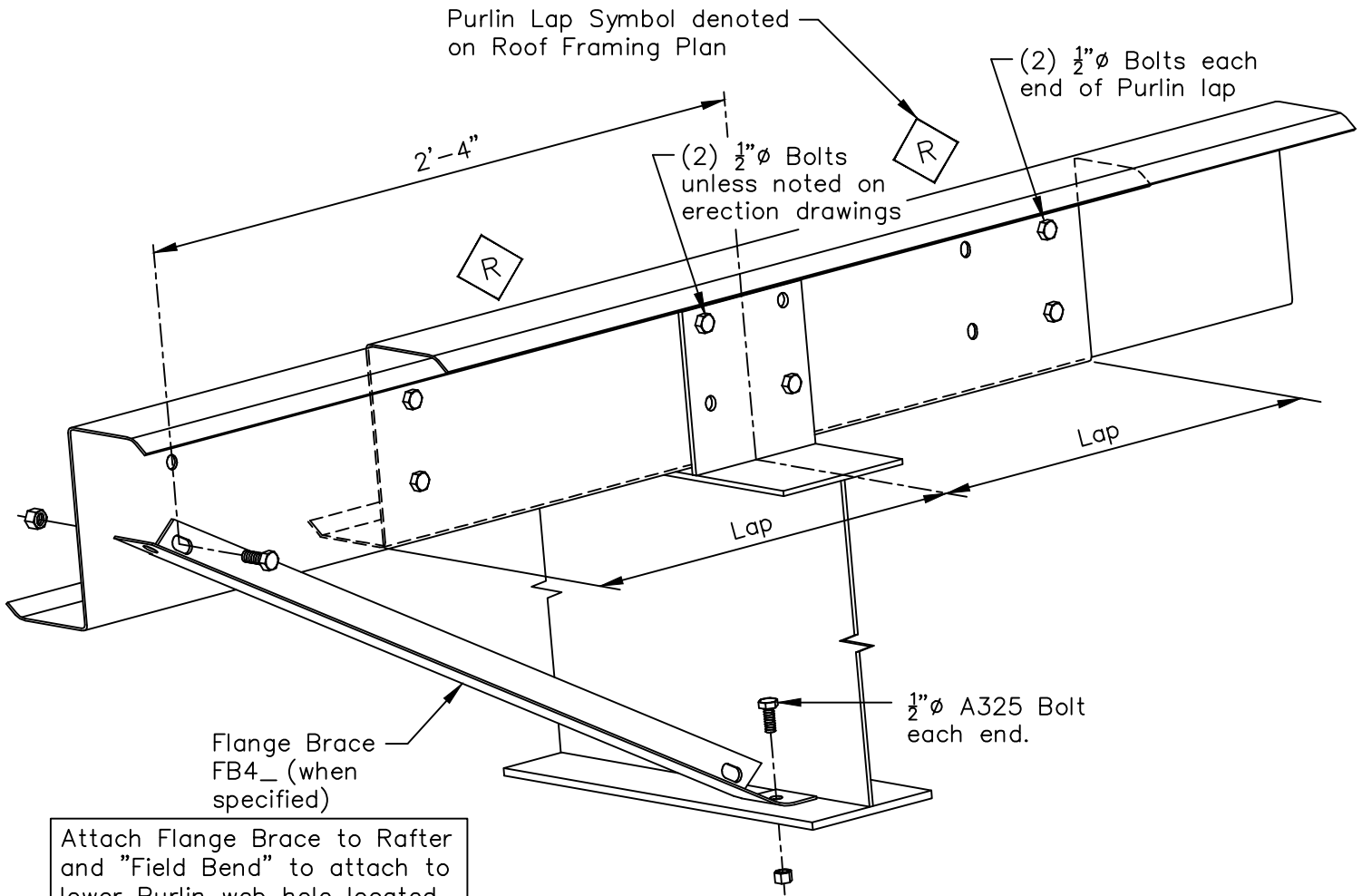
Page  
CF02036

Date  
Dec '10

Rev.  
00

### Erection Note

Lap and attachment of Purlin varies refer to Roof Plan and Lap Detail for requirements.



Attach Flange Brace to Rafter and "Field Bend" to attach to lower Purlin web hole located 2'-4" from center of Rafter.

### Erection Note

Flange Braces may be required one or both sides of Rafter. For requirements, and locations at Main Frame and Rigid Frame in Endwall refer to "Cross Section". For requirements, and locations at Bearing Frame Endwall refer to "Roof Plan".