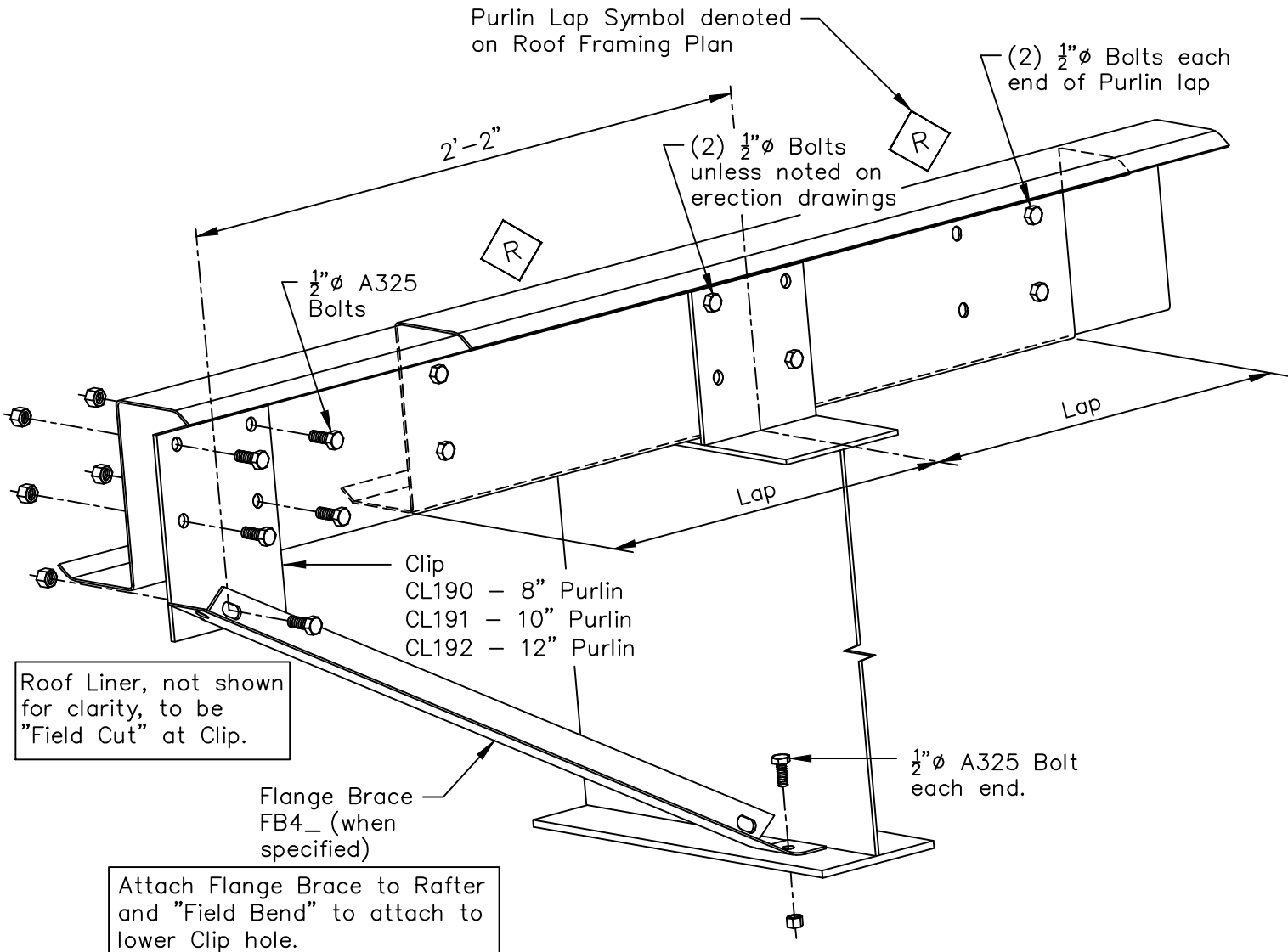


Purlin to Rafter

"Optional" Liner Connection - Flange Brace FB4_

Erection Note
 Lap and attachment of Purlin varies refer to Roof Plan and Lap Detail for requirements.



Attach Flange Brace to Rafter and "Field Bend" to attach to lower Clip hole.

Erection Note
 Flange Braces may be required one or both sides of Rafter. For requirements, and locations at Main Frame and Rigid Frame in Endwall refer to "Cross Section". For requirements, and locations at Bearing Frame Endwall refer to "Roof Plan".