

Purlin to Rafter

Standard Connection - Flange Brace FB6_ or FB7_

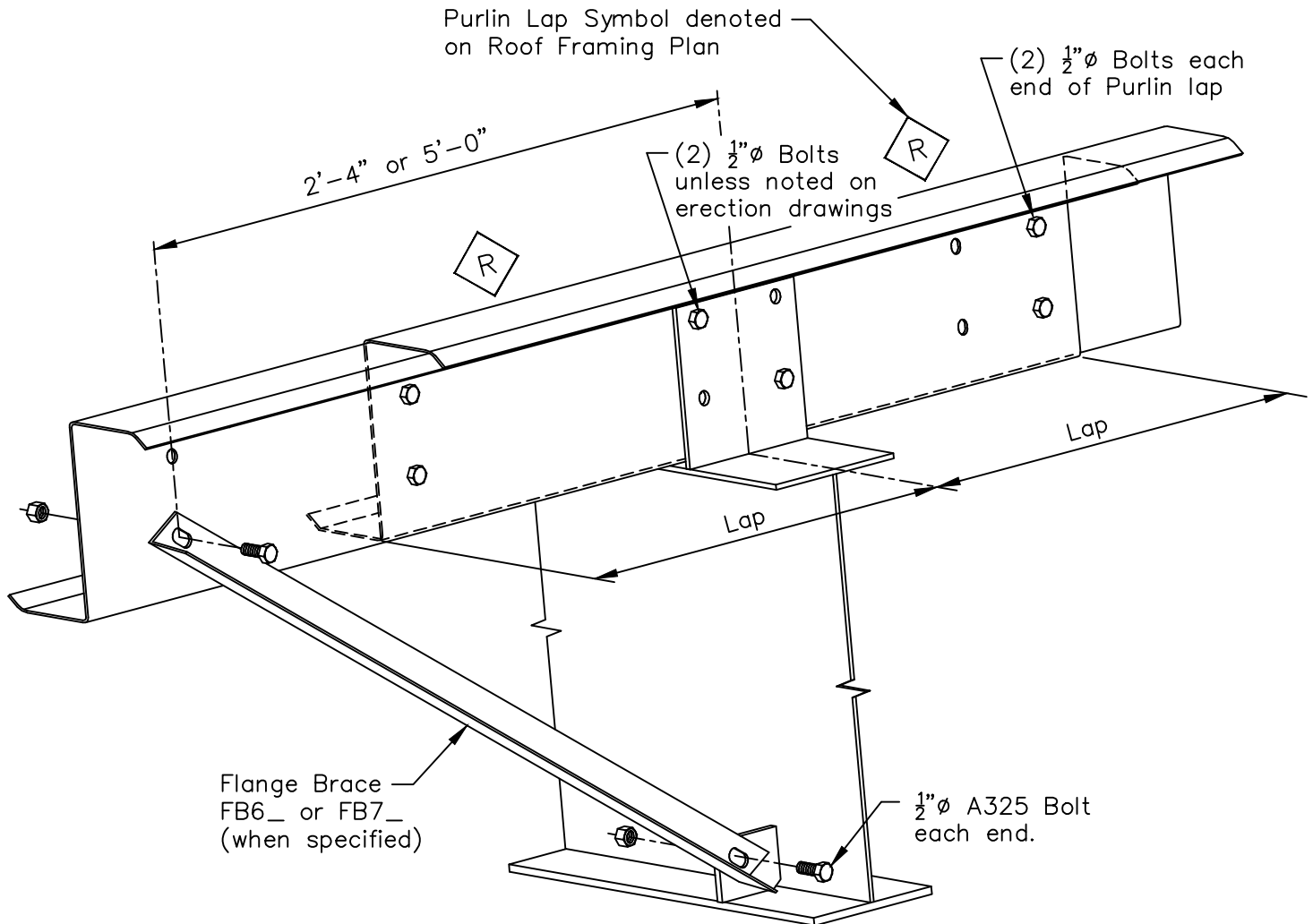
Page
CF02039

Date
Dec '10

Rev.
00

Erection Note

Lap and attachment of Purlin varies refer to Roof Plan and Lap Detail for requirements.



Erection Note

Flange Braces may be required one or both sides of Rafter.
For requirements, and locations at Main Frame and Rigid Frame in Endwall refer to "Cross Section".
For requirements, and locations at Bearing Frame Endwall refer to "Roof Plan".