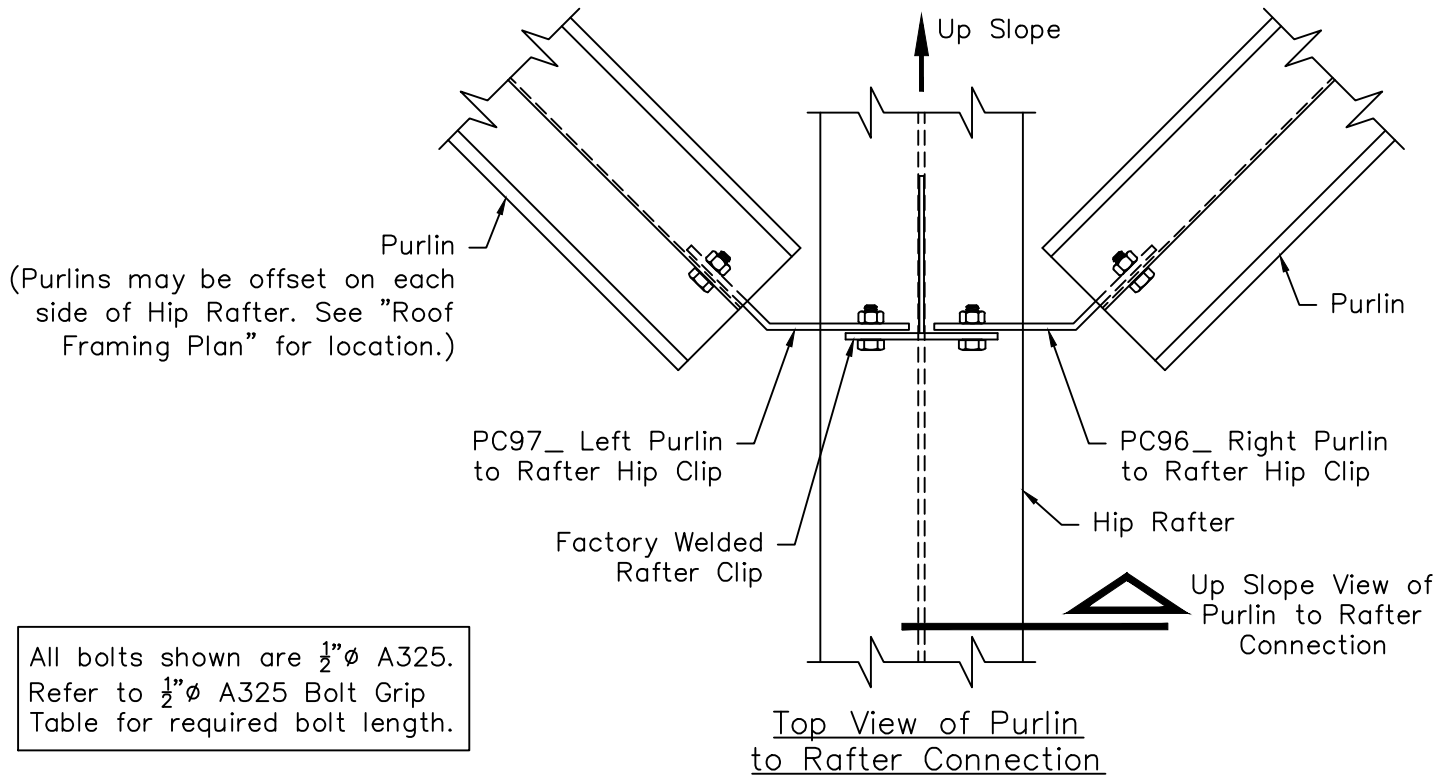


Hip Connection - Purlin to Rafter Hip Clip Details with Standard Flange Brace Connection



All bolts shown are $\frac{1}{2}"\phi$ A325.
Refer to $\frac{1}{2}"\phi$ A325 Bolt Grip Table for required bolt length.

