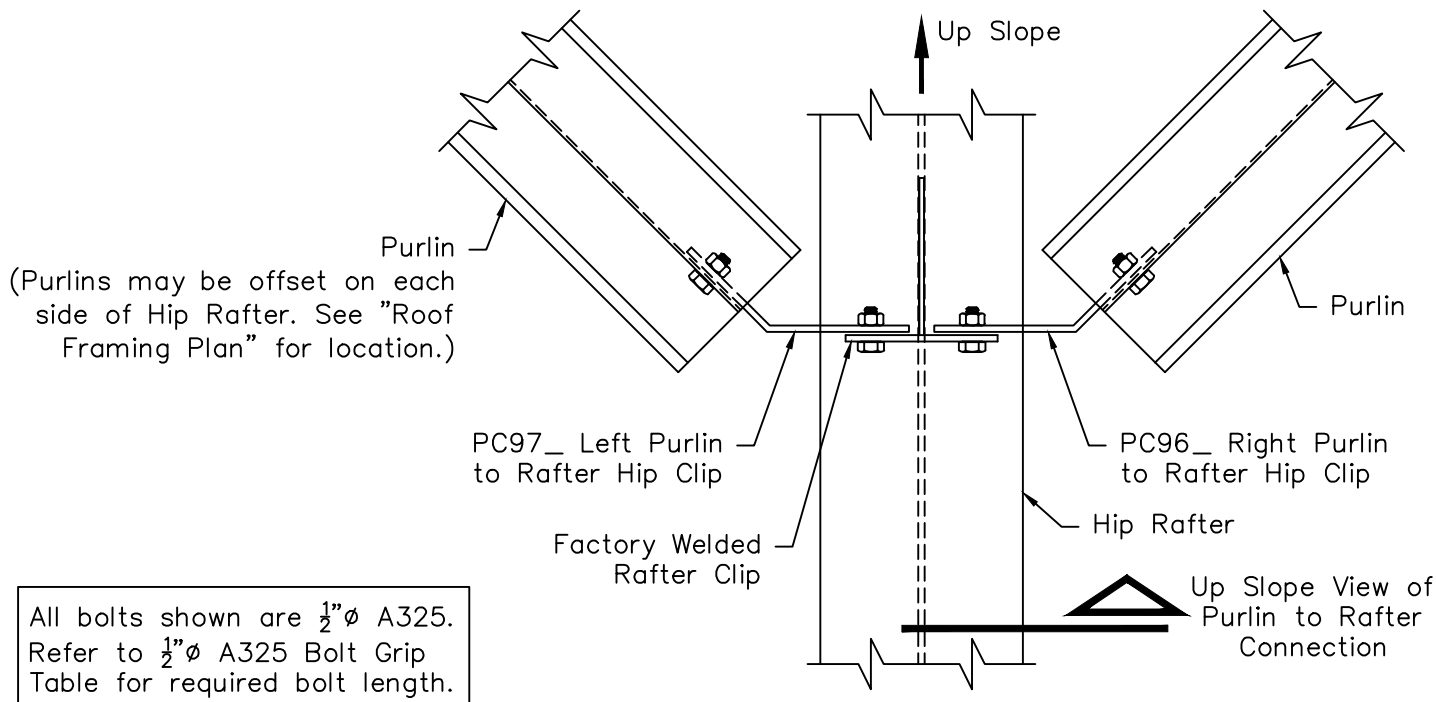
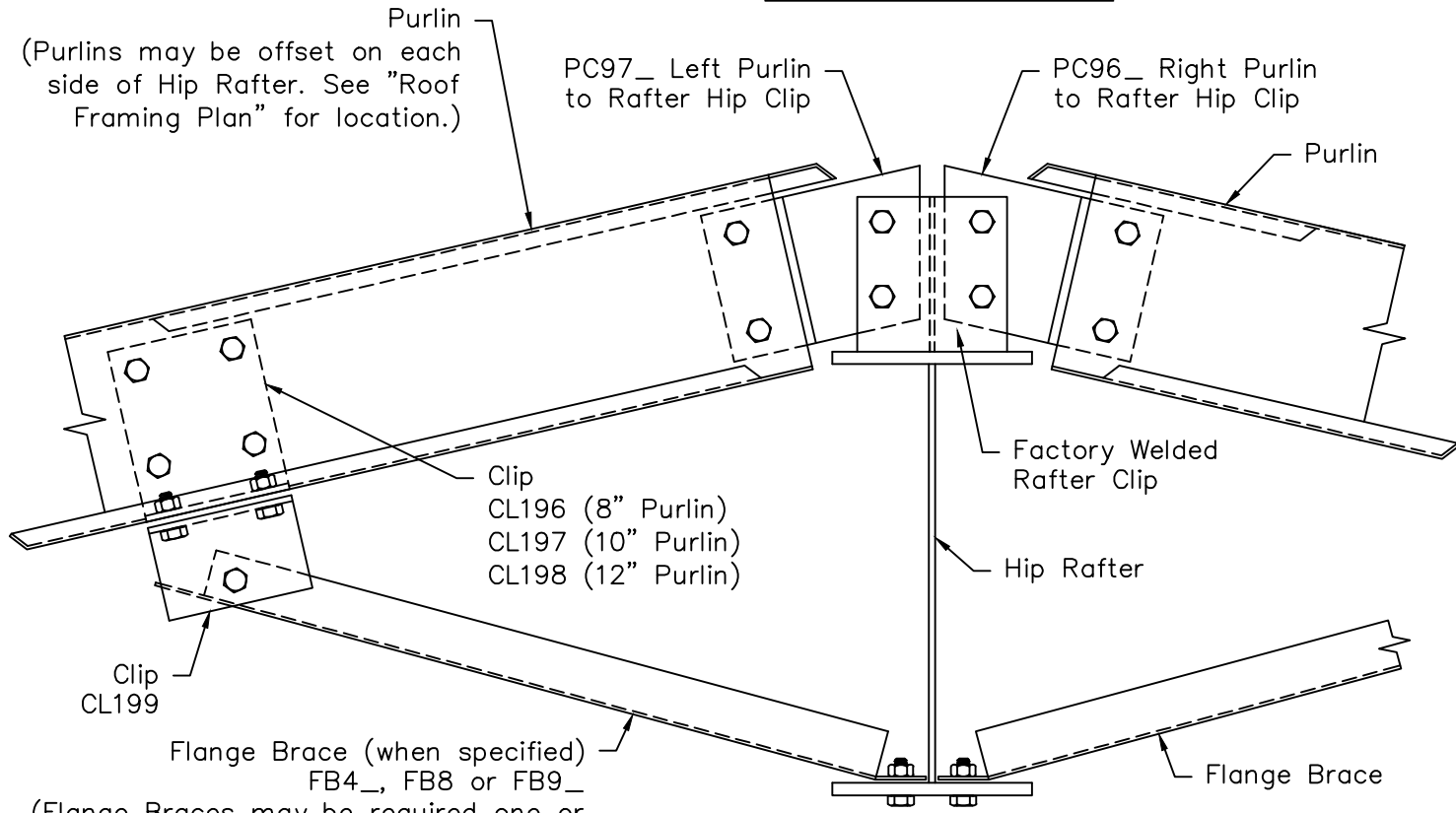


# Hip Connection - Purlin to Rafter Hip Clip Details with "Concealed Nut" Flange Brace Connection



All bolts shown are  $\frac{1}{2}"\phi$  A325.  
Refer to  $\frac{1}{2}"\phi$  A325 Bolt Grip Table for required bolt length.

Top View of Purlin to Rafter Connection



(Flange Braces may be required one or both sides of Hip Rafter. For requirements and locations refer to "Cross Section" or "Roof Framing Plan". Attach Flange Brace to Hip Rafter and "Field Bend" to attach to lower Clip hole located 2'-4 or 5'-0 from center of Hip Rafter.)

Up Slope View of Purlin to Rafter Connection