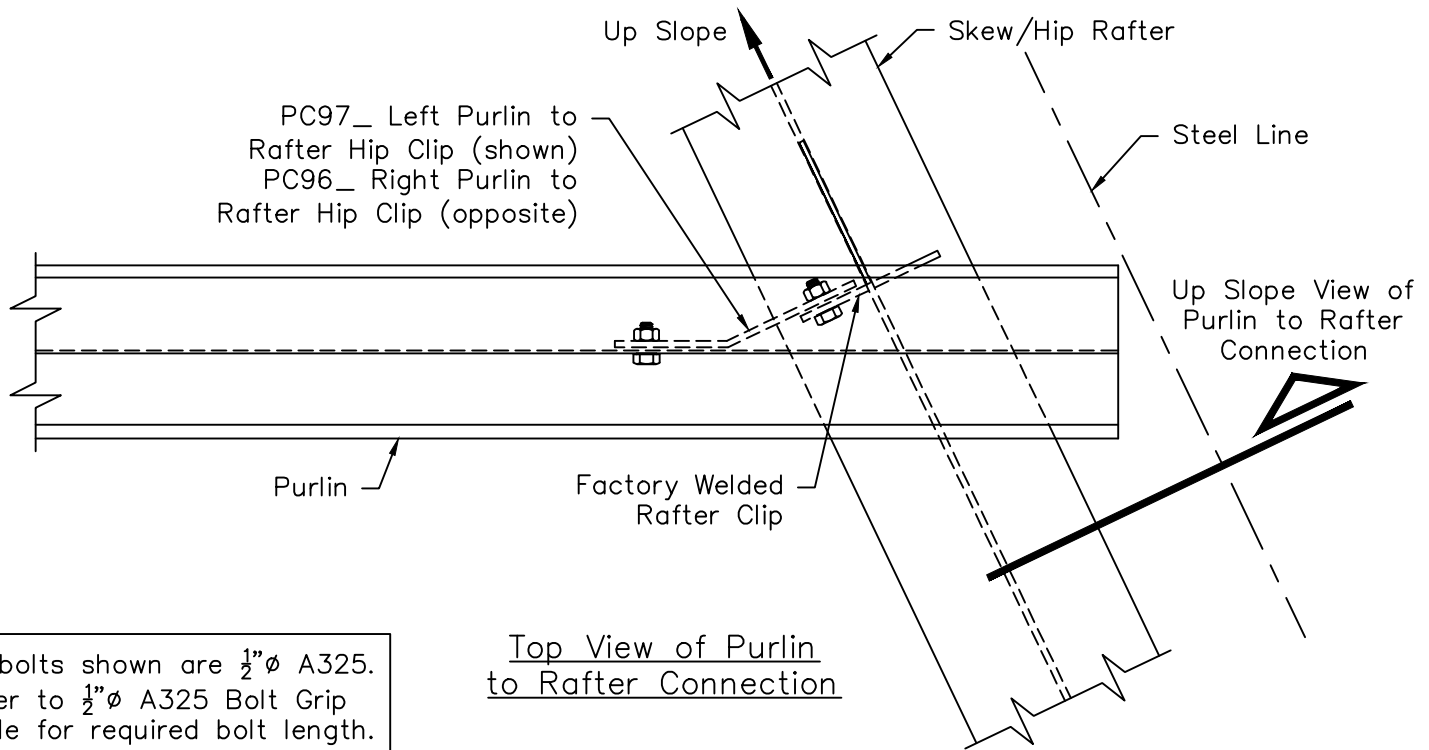
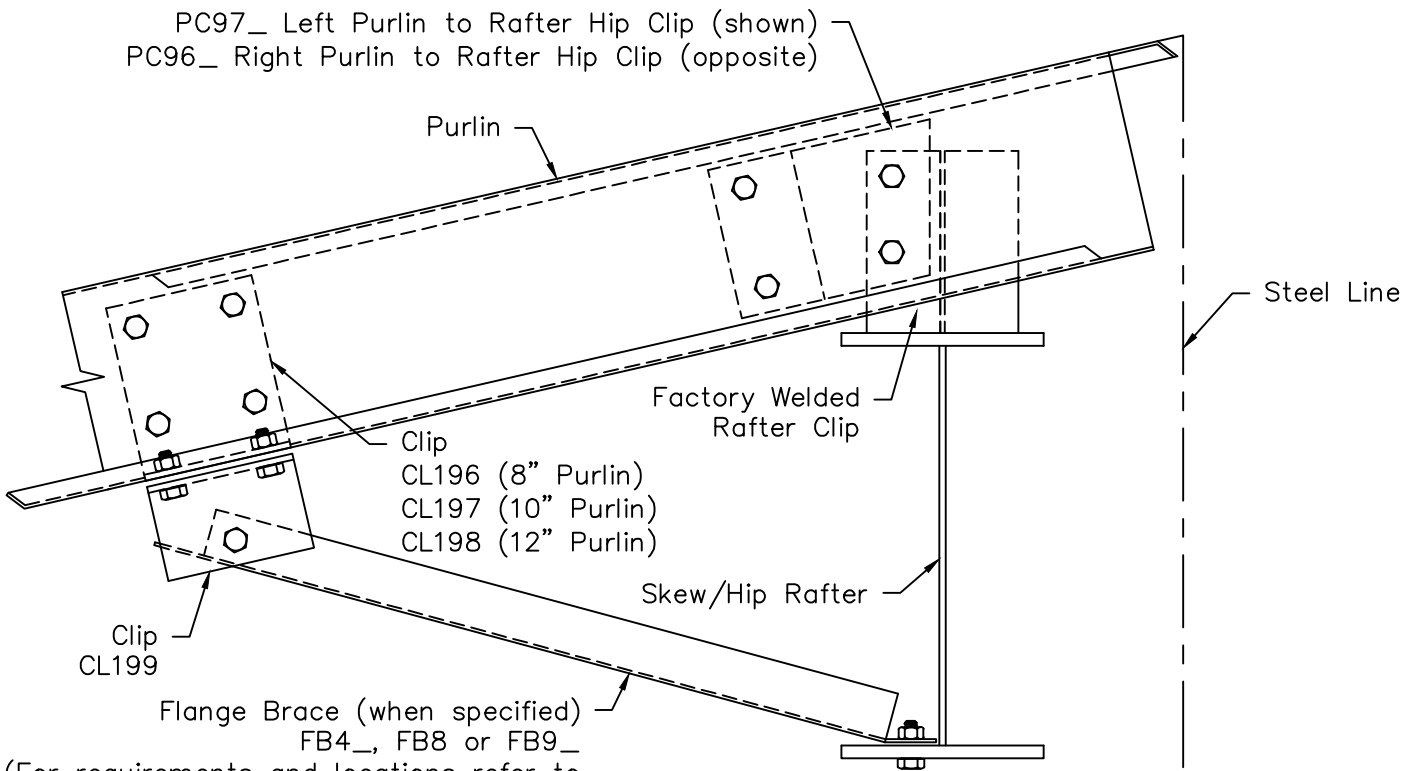


Skew on Hip side Connection - Purlin to Rafter Hip Clip Details with "Concealed Nut" Flange Brace Connection



All bolts shown are $\frac{1}{2}'' \phi$ A325.
Refer to $\frac{1}{2}'' \phi$ A325 Bolt Grip Table for required bolt length.

Top View of Purlin to Rafter Connection



Clip
CL196 (8" Purlin)
CL197 (10" Purlin)
CL198 (12" Purlin)
Clip
CL199

Flange Brace (when specified)
FB4_, FB8 or FB9_

(For requirements and locations refer to "Cross Section" or "Roof Framing Plan". Attach Flange Brace to Skew/Hip Rafter and "Field Bend" to attach to lower clip hole located 2'-4 or 5'-0 from center of Skew/Hip Rafter.)

Up Slope View of Purlin to Rafter Connection