

Girt Tie-In - Interior Frame - Common Wall Sheeted - Flush Column

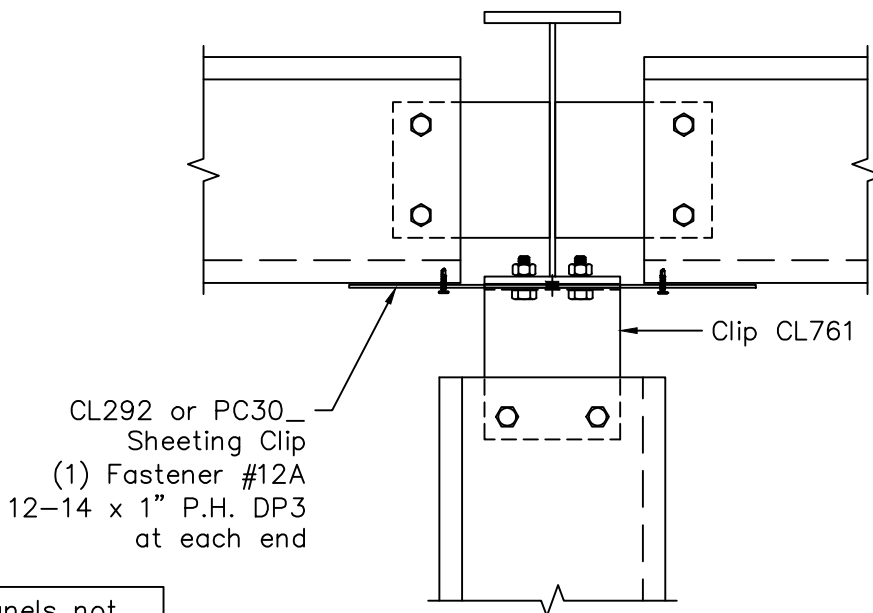
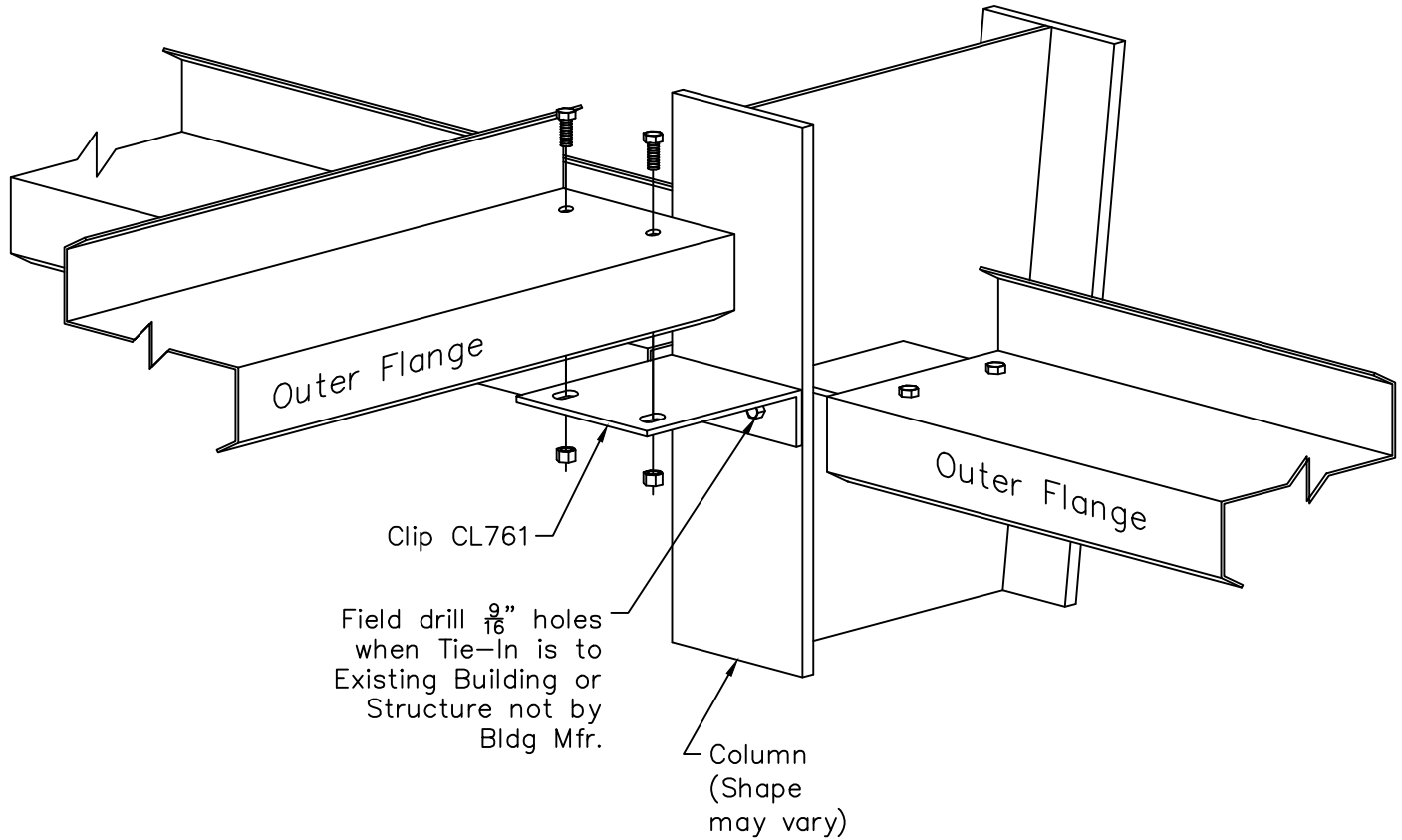
Girt Webs Align - Endwall Girt Centered on Column Flange

Page **EF04006**

Date **Jul '11** Rev. **00**

Note: All Bolts are $\frac{1}{2}$ " Diameter

Zee Girt shown, Tie-in Detail similar for Cee or Zee Girt with outer flange toed up.



Wall Panels not shown for clarity.