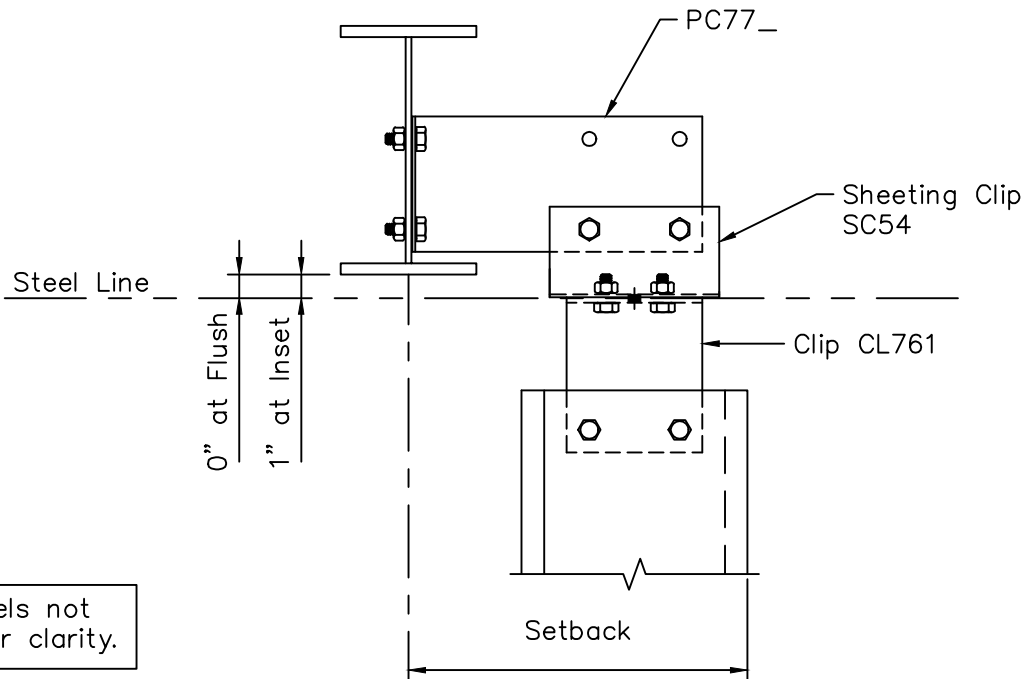
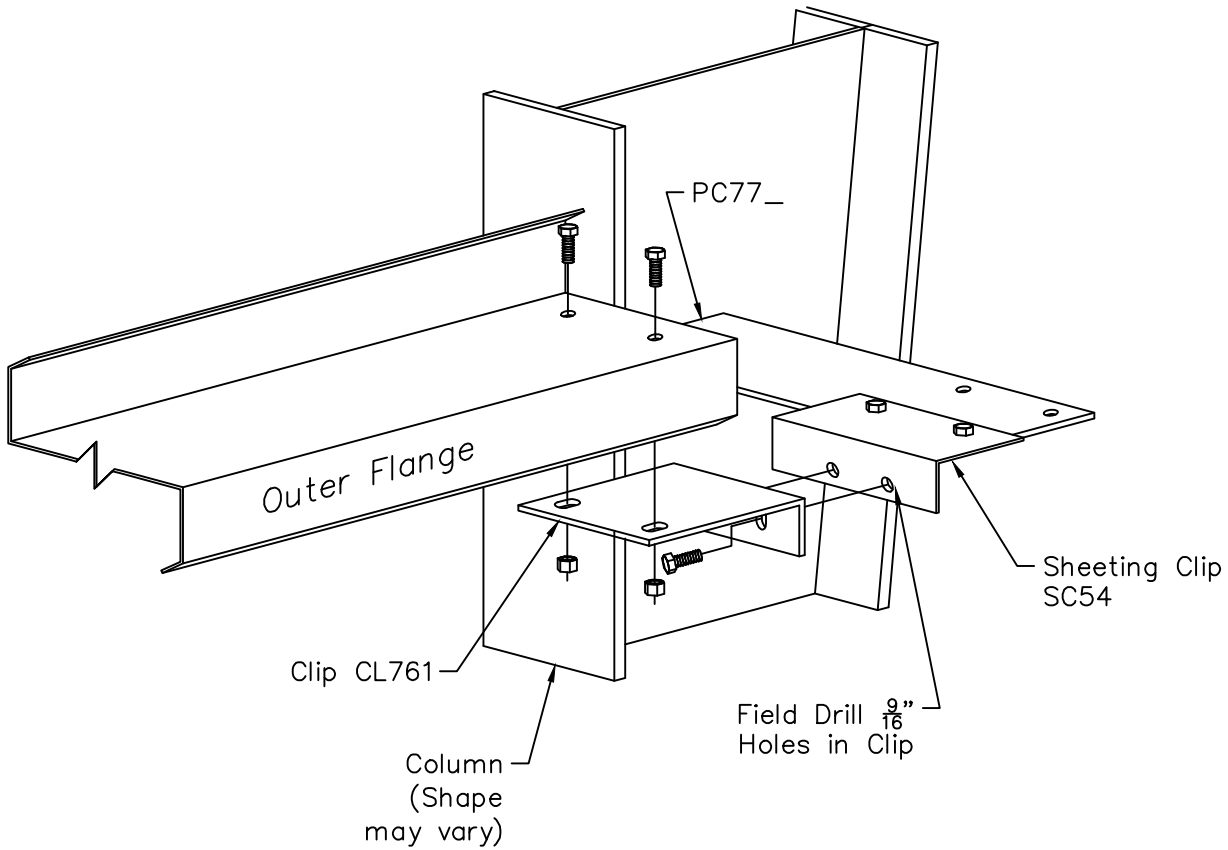


# Girt Tie-In - Interior Frame - Common Wall Open

## Flush or Inset Column - Endwall Girt Bypasses Column Flange

Note: All Bolts are  $\frac{1}{2}$ " Diameter

Zee Girt shown, Tie-in Detail similar for Cee or Zee Girt with outer flange toed up.



Wall Panels not shown for clarity.