

Girt Tie-In - End Frame - Common Wall Sheeted - Bypass Column

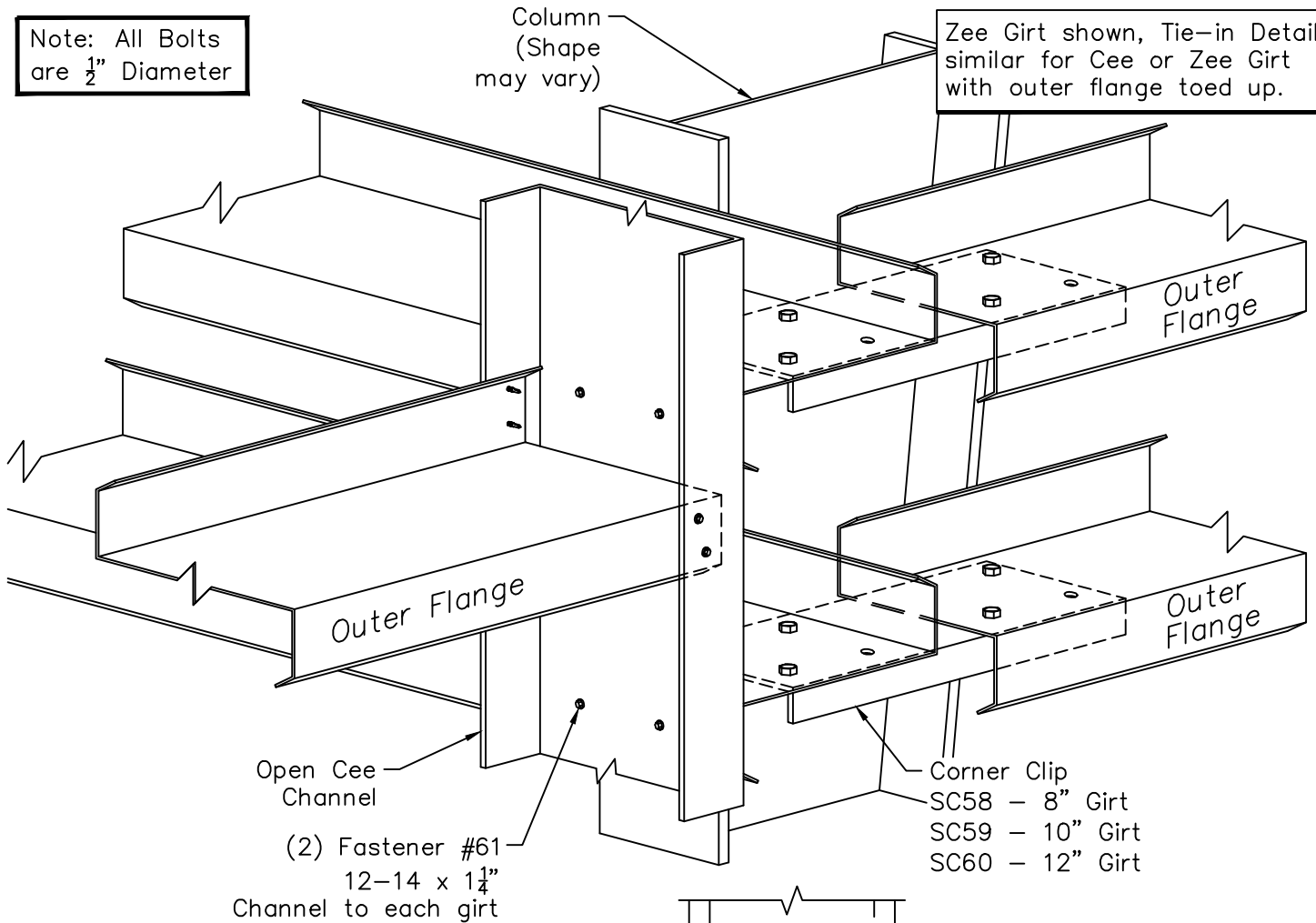
Endwall Girt to Open "C" Channel - E/W Girt Bypasses Column Flange

Page **EF04039**
 Date **Jul '11** Rev. **00**

Note: All Bolts are $\frac{1}{2}$ " Diameter

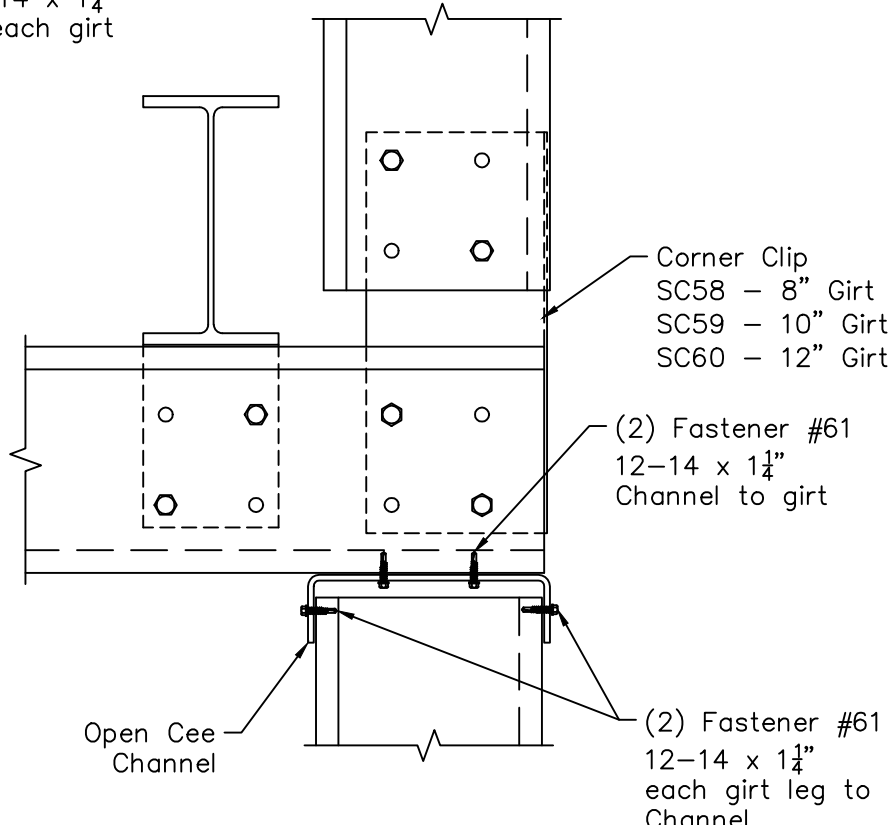
Column
 (Shape may vary)

Zee Girt shown, Tie-in Detail similar for Cee or Zee Girt with outer flange toed up.



(2) Fastener #61
 12-14 x $1\frac{1}{4}$ "
 Channel to each girt

Corner Clip
 SC58 - 8" Girt
 SC59 - 10" Girt
 SC60 - 12" Girt



Corner Clip
 SC58 - 8" Girt
 SC59 - 10" Girt
 SC60 - 12" Girt

(2) Fastener #61
 12-14 x $1\frac{1}{4}$ "
 Channel to girt

(2) Fastener #61
 12-14 x $1\frac{1}{4}$ "
 each girt leg to Channel

Wall Panels not shown for clarity.