

# Girt Tie-In - Flush Column

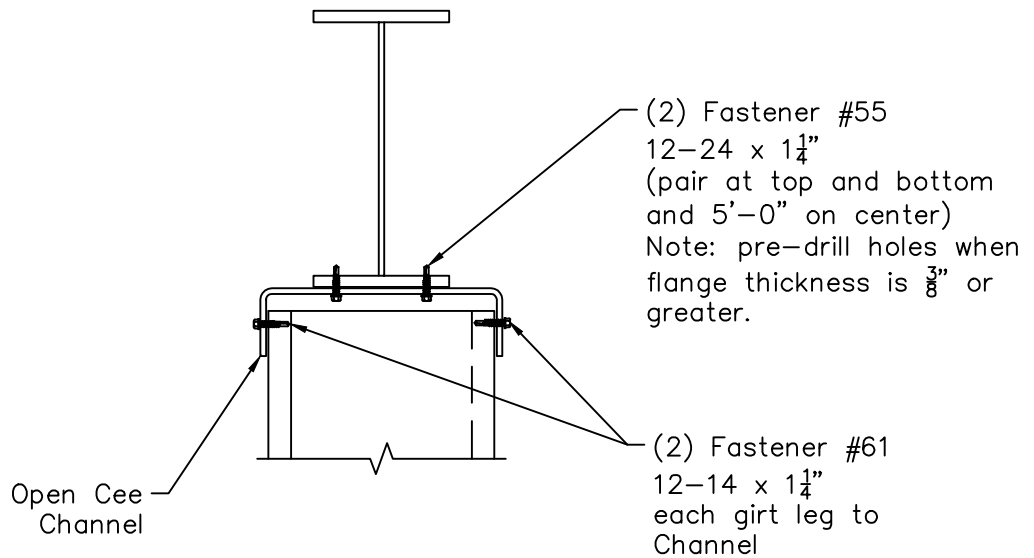
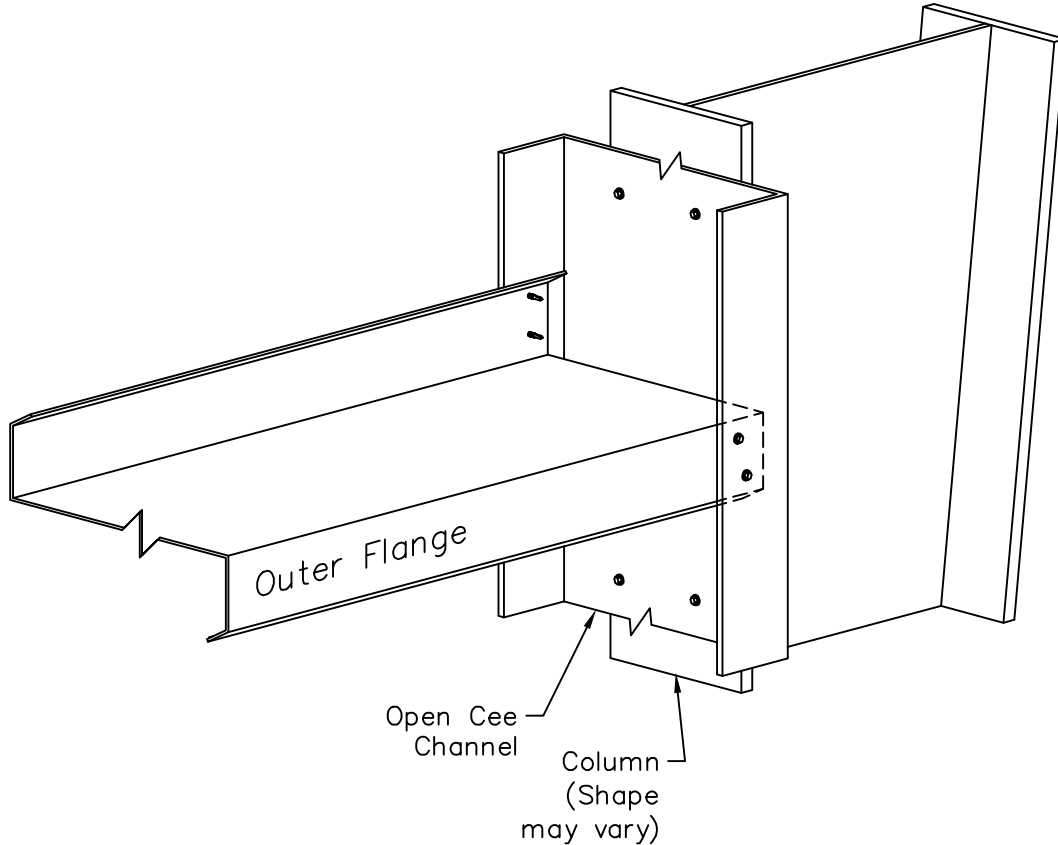
## Girt to Open "C" Channel - Endwall Girt Centered on Column Flange

Page EF04054

Date Jul '11 Rev. 00

Note: All Bolts are  $\frac{1}{2}$ " Diameter

Zee Girt shown, Tie-in Detail similar for Cee or Zee Girt with outer flange toed up.



Wall Panels not shown for clarity.