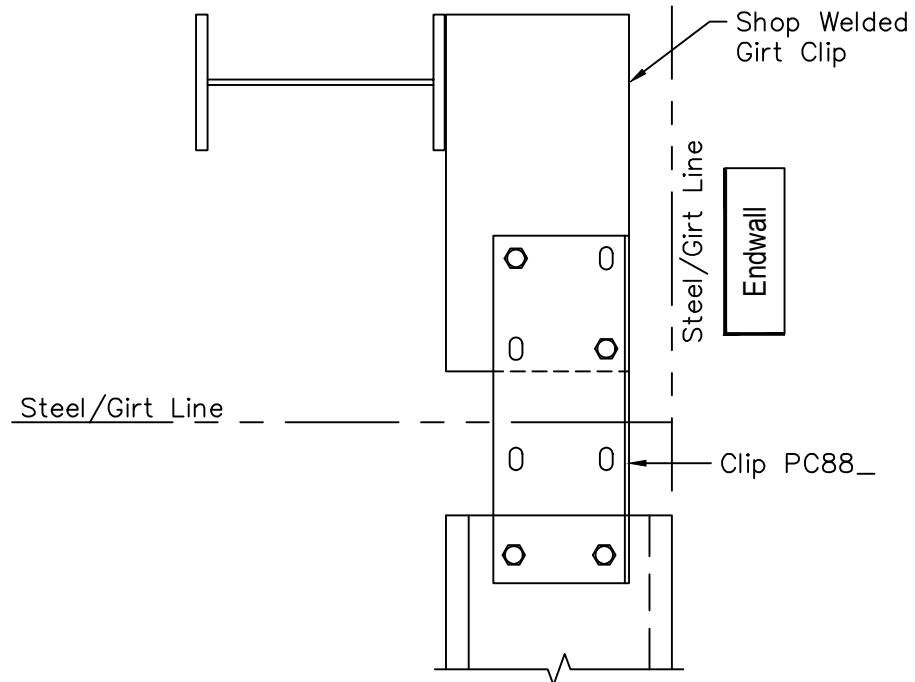
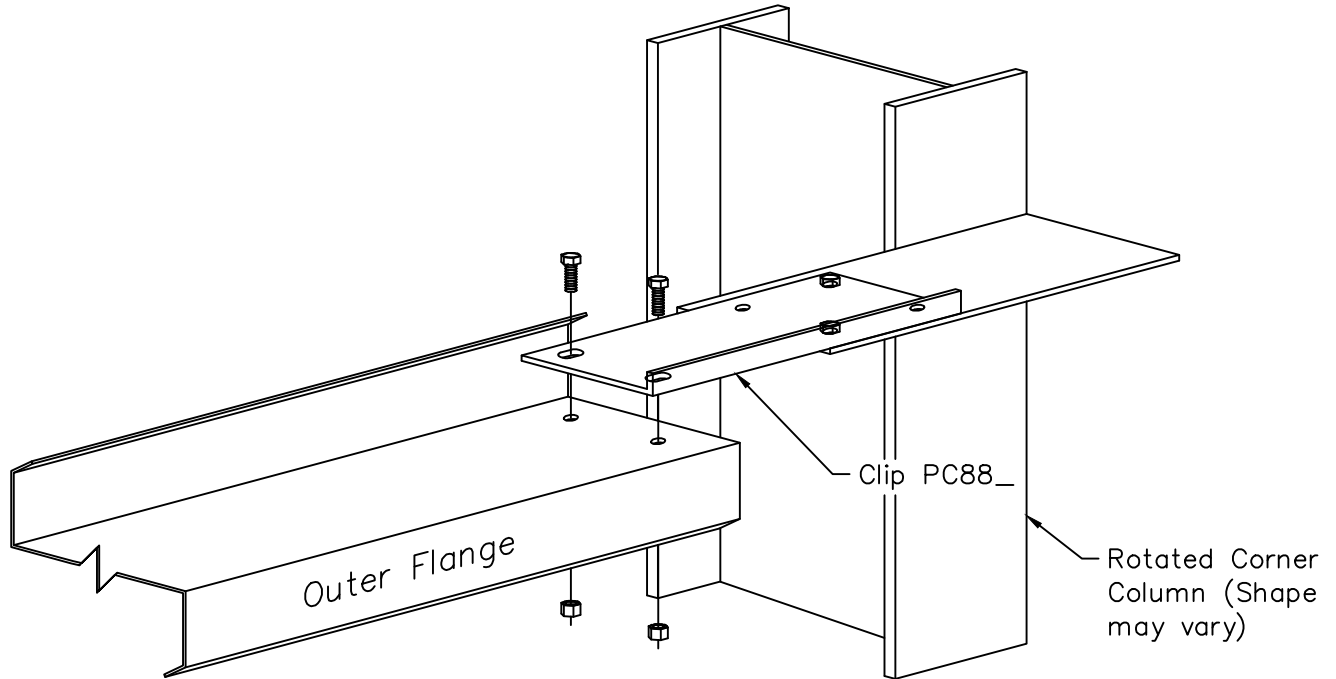


# Girt Tie-In - Rotated Corner Column - Common Wall Open Endwall Girt Bypass Column Flange - Girt Webs do not Align

Page **EF04072**  
Date **Jul '11** Rev. **00**

Note: All Bolts are  $\frac{1}{2}$ " Diameter

Zee Girt shown, Tie-in Detail similar for Cee or Zee Girt with outer flange toed up.



Wall Panels not shown for clarity.