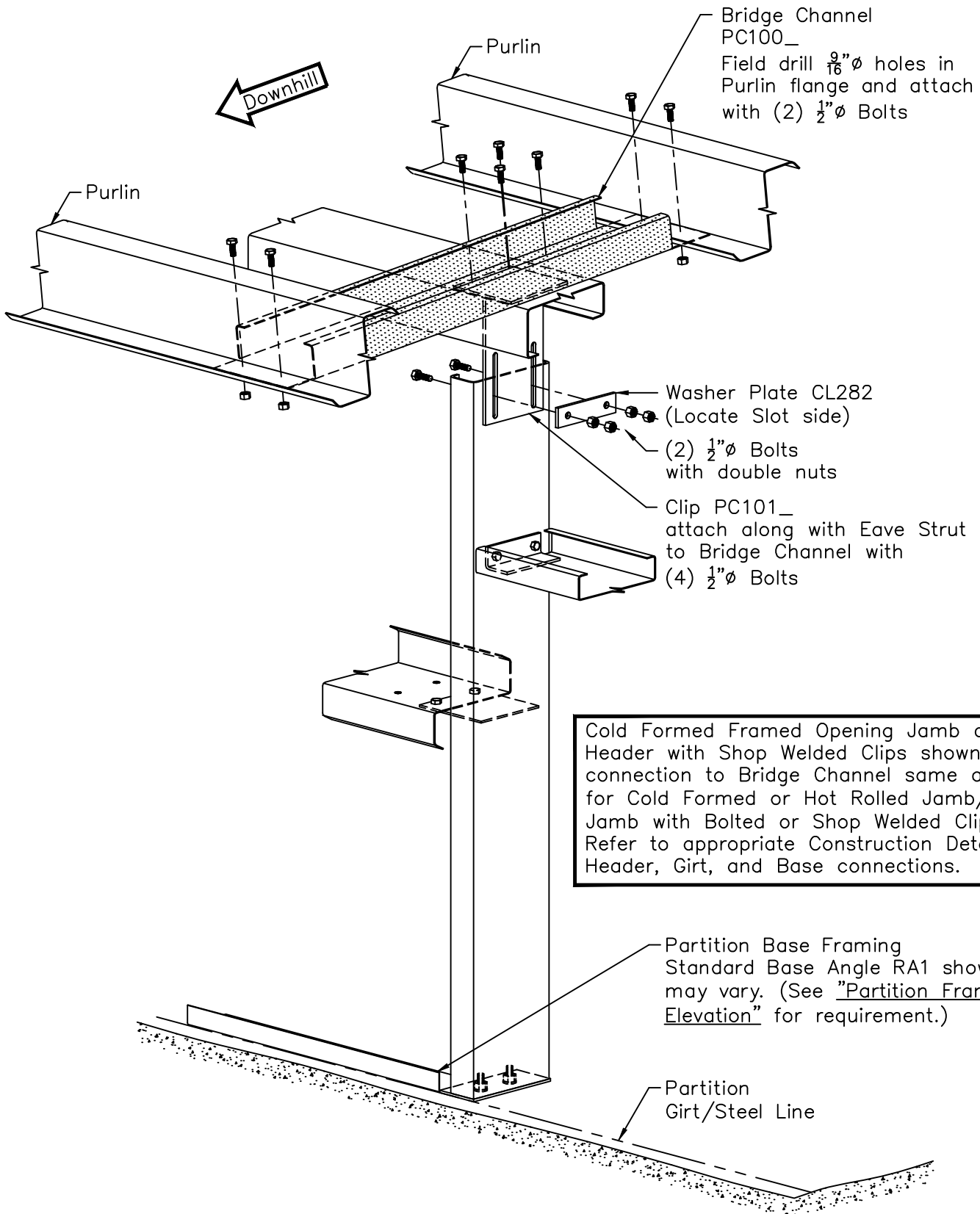


Longitudinal Partition Jamb Connection - Low Side Sheeted



Cold Formed Framed Opening Jamb and Header with Shop Welded Clips shown, connection to Bridge Channel same as shown for Cold Formed or Hot Rolled Jamb/Sub Jamb with Bolted or Shop Welded Clips. Refer to appropriate Construction Details for Header, Girt, and Base connections.

Zee Girts shown, attachment similar for Cee or Zee Girt with outer flange toed up.