



BUILDINGS
ShadowRib™

Design/Installation Information

IMPORTANT NOTICE

READ THIS MANUAL COMPLETELY PRIOR TO BEGINNING THE INSTALLATION OF THE SHADOWRIB™ ROOFING SYSTEM. THE MANUFACTURER DETAILS MUST BE FOLLOWED AS A MINIMUM TO INSURE APPROPRIATE WARRANTIES WILL BE ISSUED.

ALWAYS INSPECT EACH AND EVERY PANEL AND ALL ACCESSORIES BEFORE INSTALLATION. NEVER INSTALL ANY PRODUCT IF ITS QUALITY IS IN QUESTION. NOTIFY MBCI IMMEDIATELY IF ANY PRODUCT IS BELIEVED TO BE OUT OF TOLERANCE, SPECIFICATION OR HAS BEEN DAMAGED DURING SHIPMENT.

IF THERE IS A CONFLICT BETWEEN PROJECT INSTALLATION DRAWINGS PROVIDED OR APPROVED BY THE MANUFACTURER AND DETAILS IN THIS MANUAL, PROJECT INSTALLATION DRAWINGS WILL TAKE PRECEDENCE.

©Copyright NCI Group, Inc. All Rights Reserved. 06-2012

The Engineering data contained herein is for the expressed use of customers and design professionals. Along with this data, it is recommended that the design professional have a copy of the most current version of the North American Specification for the Design of Cold-Formed Steel Structural Members published by the American Iron and Steel Institute to facilitate design. This Specification contains the design criteria for cold-formed steel components. Along with the Specification, the designer should reference the most current building code applicable to the project jobsite in order to determine environmental loads. If further information or guidance regarding cold-formed design practices is desired, please contact the manufacturer.

Descriptions and specifications contained herein were in effect at the time this publication was approved for printing. In a continuing effort to refine and improve products, MBCI reserves the right to discontinue products at any time or change specifications and/or designs without incurring obligations. **To insure you have the latest information available, please inquire or visit our Website at www.mbc.com.** Application details are for illustration purposes only and may not be appropriate for all environmental conditions, building designs, or panel profiles. Projects should be engineered to conform to applicable building codes, regulations, and accepted industry practices. Insulation is not shown in these details for clarity.

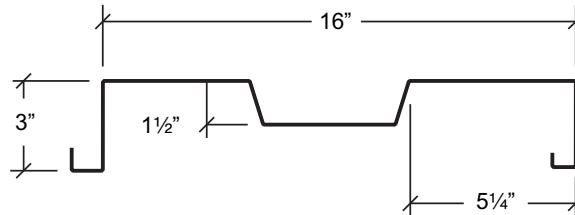
For complete performance specifications, product limitations, and disclaimers, please consult MBCI's Paint and Galvalume Plus® warranties. Upon receipt of payment in full, these warranties are available upon request for all painted or Galvalume Plus® prime products. Sample copies can be found at www.mbc.com or contact your local MBCI Sales Representative.

TABLE OF CONTENTS

A. General Description	SR-2
B. Architect/Engineer Information	SR-3
C. 16" Properties/Load Tables	SR-4
D. Specifications	SR-5-7
E. Product Checklist	SR-8-10
F. Installation Guidelines	SR-11
G. Unloading	SR-12-13
H. Handling & Panel Storage	SR-14
I. Panel Attachment Methods	
1. Interior Fastener Attachment	SR-15
2. Exterior Clip Attachment	SR-15-16
J. Clip Angle Attachment	
1. Base	
a. Standard	SR-17
b. Alternate	SR-17
2. Girt	SR-17
3. Eave	SR-18
4. Rake	SR-18
K. Eave Details	
1. Gutter	SR-19
2. Eave Trim	SR-19
L. Rake Details	SR-20
M. Corner Installation	
1. Outside Corner	
a. Finish In High	SR-21
b. Finish In Low	SR-21
2. Inside Corner	
a. Finish In High	SR-22
b. Finish In Low	SR-22
N. Framing Options	
1. Overhead Doors	SR-23
2. Walk Doors	SR-24
3. Windows	SR-25-26
O. Wall Splice	SR-27

PRODUCT INFORMATION ShadowRib™

GENERAL DESCRIPTION



Coverage - 16"

Panel Depth - 3"

Outside Panel Attachment - **ShadowRib™** Panel Clip

Inside Panel Attachment - Fastener #23

Substrate - Galvalume Plus® (Standard)

Gauge - 24 Gauge (Standard) 22 Gauge (Optional)

Coatings - Signature® 200, Signature® 300 and Signature® 300 Metallic.
 Check Product Selection Chart below for specific coatings and gauges.

Finish - Smooth (Standard) Embossed (Optional)

PRODUCT SELECTION CHART

PRODUCT	Signature® 300 Metallic		Signature® 300		Signature® 200		Galvalume Plus®	
	24 Ga.	22 Ga.	24 Ga.	22 Ga.	24 Ga.	22 Ga.	24 Ga.	22 Ga.
ShadowRib™ 16" Wide	●	■	●	■	●	■	●	■

Signature is a registered trademark of Metal Building Components, L.P. Galvalume Plus is a registered and protected trademark of BIEC International, Inc.

- — Available in any quantity.
- — Minimum quantity may be required.

Other colors, finishes, gauges and materials available; please inquire.

ShadowRib™ PRODUCT INFORMATION

ARCHITECT/ ENGINEER INFORMATION

1. **ShadowRib™** is a concealed fastener panel designed to provide an appealing shadow effect on walls, facades or equipment screens. The **ShadowRib™** system is based on a 16" module. Therefore, a panel layout for each wall should be provided to ensure that all framed openings begin and end in the "high" of the panel.
2. There are two methods of attachment to the substructure:
 - a. Outside attachment, using a panel clip.
 - b. Inside attachment, using a Fab-Lok Fastener (Fastener #23).
3. All primary and secondary framing must be erected, plumbed and squared with bolts tightened according to accepted building practices prior to beginning the installation of the **ShadowRib™** panel.
4. Wall girts, or structurals to which the **ShadowRib™** panels are to be attached, must be properly aligned. Structural members that are not in alignment will induce stress into the panels resulting in oil canning.
5. Heavier gauges and embossing minimizes oil canning. The industry standard for this product is 22 and 24 gauge material. Oil canning is not cause for rejection.
6. Panels may be spliced using MBCI'S splice trim. For continuous runs over 40', please inquire.
7. Panel joints may be made airtight and water tight by field applying urethane sealant to the sidelap before engaging panels.
8. All details and recommendations in this manual are for general guidelines only. Actual project conditions may require special treatment and/or changes in this information. Contact MBCI regarding deviations from the published standards. Suitability of use and manner of use of any product contained herein is the sole responsibility of the specifier.
9. Insulation is most effectively applied in the wall cavity behind the point of panel attachment. Semi-rigid or rigid insulation can be inserted in the cavity of the panel between the vertical legs. Applying the panel over compressed blanket insulation can be difficult and may induce waviness or oil canning.

The installation information in this manual typically shows the **ShadowRib™** panel being applied over secondary structural framing members. The following chart describes the type of fastener that must be used with alternate structural substrates.

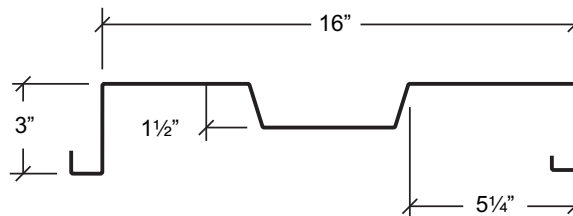
FASTENER APPLICATION CHART

PRODUCT	STRUCTURAL (16 ga. to 12 ga.)	STRUCTURAL (3/8" Maximum)	STRUCTURAL (1/2" Maximum)
ShadowRib™	Fastener #1 or Fastener #23	Fastener #6 or Fastener #23	Fastener #10 or Fastener #23

ENGINEERING ShadowRib™

SECTION PROPERTIES/LOAD TABLES

ShadowRib™ 16" Coverage



SECTION PROPERTIES								
PANEL GAUGE	F _y (KSI)	WEIGHT (PSF)	TOP IN COMPRESSION			BOTTOM IN COMPRESSION		
			I _{xe} (in.4/ft.)	S _{xe} (in.3/ft.)	Maxo (Kip in.)	I _{xe} (in.4/ft.)	S _{xe} (in.3/ft.)	Maxo (Kip in.)
24	50.0	1.54	0.2336	0.1765	5.2934	0.3233	0.1536	4.5994
22	50.0	1.97	0.3240	0.2541	7.6081	0.4503	0.2202	6.5914

NOTES

1. All calculations for the properties of ShadowRib panels are calculated in accordance with the 2007 edition of the North American
2. I_{xe} is for deflection determination.
3. S_{xe} is for bending.
4. Maxo is allowable bending moment.
5. All values are for one foot of panel width.

ALLOWABLE UNIFORM LOADS IN POUNDS PER SQUARE FOOT

24 Gauge (F _y = 50 KSI)										
SPAN TYPE	LOAD TYPE	SPAN IN FEET								
		3.0	3.5	4.0	4.5	5.0	5.5	6.0	6.5	7.0
SINGLE	POSITIVE WIND LOAD	340.7	250.3	191.6	151.4	122.7	101.4	85.2	72.6	62.6
2-SPAN	POSITIVE WIND LOAD	391.4	287.5	220.1	173.9	140.9	116.4	97.8	83.4	71.9
3-SPAN	POSITIVE WIND LOAD	489.2	359.4	275.2	217.4	176.1	145.5	122.3	104.2	89.9
4-SPAN	POSITIVE WIND LOAD	456.8	335.6	256.9	203.0	164.4	135.9	114.2	97.3	83.9

22 Gauge (F _y = 50 KSI)										
SPAN TYPE	LOAD TYPE	SPAN IN FEET								
		3.0	3.5	4.0	4.5	5.0	5.5	6.0	6.5	7.0
SINGLE	POSITIVE WIND LOAD	488.3	358.7	274.6	217.0	175.8	145.3	122.1	104.0	89.7
2-SPAN	POSITIVE WIND LOAD	563.6	414.0	317.0	250.5	202.9	167.7	140.9	120.0	103.5
3-SPAN	POSITIVE WIND LOAD	704.5	517.6	396.3	313.1	253.6	209.6	176.1	150.1	129.4
4-SPAN	POSITIVE WIND LOAD	657.8	483.2	370.0	292.3	236.8	195.7	164.4	140.1	120.8

NOTES

1. Allowable loads are based on uniform span lengths.
2. POSITIVE WIND LOAD has not been increased by 33.333%.
3. Above loads consider a maximum deflection ratio of L/120.
4. The weight of the panel has not been deducted from the allowable loads.

ShadowRib™

SPECIFICATIONS

Specifier: Notation [#] means that text following is a specifier's note or sample.

PART 1 - GENERAL

1.01 DESCRIPTION

Specifier: Do not alter paragraph A. except by adding section title in brackets.

A. General:

1. Furnish all labor, material, tools, equipment and services for all preformed [# choose one: fascia, walls, equipment screens] as indicated, in accord with provisions of Contract Documents.
2. Completely coordinate with work of all other trades.
3. Although such work is not specifically indicated, furnish and install all supplementary or miscellaneous items, appurtenances and devices incidental to or necessary for a sound, secure and complete installation.
4. See Division 1 for General Requirements.

B. Related work specified elsewhere:

1. Structural steel: Section 05100.
2. Steel joists: Section 05200 or 05400.
3. Flashing and sheet metal: Section 07600.

Specifier: Delete references to sections not used and add any references which become pertinent.

1.02 QUALITY ASSURANCE

A. Applicable standards:

1. SMACNA: "Architectural Sheet Metal Manual" Sheet Metal and Air Conditioning Contractors National Association, Inc.
2. AISC: "Steel Construction Manual" American Institute of Steel Construction.
3. AISI: "Cold Form Steel Design Manual," American Iron and Steel Institute.
4. ASTM A792-83-AZ50: Specifications for steel sheet, aluminum-zinc alloy coated (galvanized) by the hot dip process, general requirements (Galvalume®).

B. Manufacturer's qualifications:

1. Manufacturer has a minimum of three years experience in manufacturing metal wall systems of this nature. Panels specified in this section shall be produced in a factory environment (not job site roll formed) with fixed-base roll forming equipment assuring the highest level of quality control. A letter from the manufacturer certifying compliance will accompany the product material submittals.

C. Installation contractor's qualifications:

1. Installation contractor shall be an approved installer, certified by the manufacturer within one year of the beginning of installation of the metal wall system, specifically for MBCI's **ShadowRib™** metal wall system and meet the following minimum criteria:
 - a. Maintain \$250,000 minimum general liability

insurance coverage.

- b. Maintain statutory limits of worker's compensation coverage as mandated by law.
- c. Has no viable claims pending regarding negligent acts or defective workmanship on previously performed or current projects.
- d. Has not filed for protection from creditors under any state or federal insolvency or debtor relief statutes or codes.
- e. Project foreman is the person having received specific training in the proper installation of the specified metal wall system and will be present to supervise whenever material is being installed.
- f. Provide five references from five different architects or building owners for projects that have been in service for a minimum of two years, stating satisfactory performance by the installation contractor.
- g. Provide certification letter that installation contractor has a minimum of three years' of metal product installation experience immediately preceding the date upon which work is to commence.

1.03 SUBMITTALS

A. Shop drawings:

1. Submit complete shop drawings and erection details to the architect (owner) for review. Do not proceed with manufacture prior to review of shop drawings. Do not use drawings prepared by the architect (owner) for shop or erection drawings.
2. Shop drawings show methods of erection, elevations and plans of roof and wall panels, sections and details, anticipated loads, flashings, sealants, interfaces with all materials not supplied and proposed identification of component parts and their finishes.

B. Samples:

1. Submit samples and color chips for all proposed finishes.
 - a. Submit one 8 inch long sample of panel, including clips.
 - b. Submit two 3 inch x 5 inch color chip samples in color selected by the architect (owner).

C. Warranty(s):

1. Metal wall system manufacturer, upon final acceptance for project, furnish a warranty covering Galvalume Plus® against rupture, structural failure and perforation due to normal atmospheric corrosion exposure for a period of 20 years.
2. Covering paint finish against cracking, checking, blistering, peeling, flaking, chipping, chalking and fading for a period of [#choose one: twenty (20) years for wall panels (premium thermoset silicone polyester or twenty (20) years for wall panels (premium fluorocarbon coating produced with Kynar 500 or Hylar 5000 resin)].

SPECIFICATIONS

ShadowRib™

D. Metal wall system fabrication certification:

1. Submit a letter from the metal wall system manufacturer certifying the **ShadowRib™** wall panels have been produced in a factory environment (not job site roll formed) with fixed-base roll forming equipment.

E. Installation contractor's qualifications:

1. Submit certificate from manufacturer certifying that installer of the metal wall system has met all of the criteria outlined in "1.02 C. Installer's qualifications" and is an authorized installer certified by the manufacturer.
2. Submit five references from five different architects or building owners for projects that have been in service for a minimum of two years, stating satisfactory performance by the installation contractor.

1.04 PRODUCT DELIVERY, STORAGE AND HANDLING

A. Delivery:

1. Deliver metal wall system to job site properly packaged to provide protection against transportation damage.

B. Handling:

1. Exercise extreme care in unloading, storing and erecting metal wall system to prevent bending, warping, twisting and surface damage.

C. Storage:

1. Store all material and accessories above ground on well skidded platforms. Store under waterproof covering. Provide proper ventilation of metal wall system to prevent condensation build-up between each panel or trim/flashing component.

PART 2 - PRODUCTS

[# **ShadowRib™**; for fascia, walls, equipment screens]

2.01 MATERIALS

A. Metal wall system profile:

1. 3 inch deep x 16 inch width with 1½" deep x 5¼" wide fluting.

B. Metal wall system style:

1. Fluted face.
2. [# choose one]
 - a. Concealed fasteners.
 - b. Through-bolt connection.

C. Gauge: [# choose one]

1. 22 gauge.
2. 24 gauge.

D. Substrate:

1. Galvalume® steel sheet, minimum yield of 50,000 PSI.

E. Texture: [# choose one]

1. Smooth.
2. Embossed (reduces oil canning effect).

F. Finish: [# choose one]

1. Premium thermoset silicone polyester (20 year warranty).
2. Premium fluorocarbon coating produced with Kynar 500 or Hylar 5000 resin (20 year warranty).
3. Galvalume Plus® (20 year warranty).

G. Color:

1. Selected from metal wall system manufacturer's standard offering.

H. Acceptable manufacturer:

1. MBCI - Houston, TX - (281) 445-8555.

Insert: Architect's (owner's) method of approval of "or equals".

- I. **Other manufacturers desiring approval**, comply with Section 01630.

2.02 FABRICATION

- A. Material shall be in-line tension leveled prior to roll forming finished panel profile.
- B. Roll form panels in continuous lengths, full length of detailed runs.
- C. Standard panel length shall be no more than 45 feet long (for longer length availability, contact manufacturer).
- D. Fabricate trim/flashing and accessories to detailed profiles.
- E. Fabricate trim/flashing from same material as panel.

PART 3 - EXECUTION

3.01 SURFACE CONDITIONS

A. Examination:

1. Inspect installed work of other trades and verify that such work is complete to a point where this work may continue.
2. Verify that installation may be made in accordance with approved shop drawings and manufacturer's instructions.

B. Discrepancies:

1. In event of discrepancy, notify the architect (owner).
2. Do not proceed with installation until discrepancies have been resolved.

3.02 INSTALLATION

- A. Install metal wall system so that it is weathertight, without waves, warps, buckles, fastening stresses or distortion.
- B. Install metal wall system in accordance with manufacturer's instructions and shop drawings.
- C. Provide concealed anchors at all panel attachment locations.
- D. Install panels plumb, level and straight with seams parallel, conforming to design as indicated.

3.03 CLEANING, PROTECTION

- A. Dispose of excess materials and remove debris from site.

Houston, TX 877-713-6224
Adel, GA 888-446-6224
Atlanta, GA 877-512-6224
Atwater, CA 800-829-9324
Dallas, TX 800-653-6224
Indianapolis, IN 800-735-6224

Jackson, MS 800-622-4136
Lubbock, TX 800-758-6224
Mattoon, IL 888-885-0468
Memphis, TN 800-206-6224
Oklahoma City, OK 800-597-6224
Omaha, NE 800-458-6224

Phoenix, AZ 888-533-6224
Richmond, VA 800-729-6224
Rome, NY 800-559-6224
Salt Lake City, UT 800-874-2404
San Antonio, TX 800-598-6224



ShadowRib™

SPECIFICATIONS

- B. Clean work in accordance with manufacturer's recommendations.
- C. Protect work against damage until final acceptance. Replace or repair to the satisfaction of the architect (owner), any work that becomes damaged prior to final acceptance.
- D. Touch up minor scratches and abrasions.

END OF SECTION

DISCLAIMER: MBCI makes no warranty, express or implied, as to the merchantability or fitness for any particular purpose of any product manufactured by an optional manufacturer. If you choose to use a product manufactured by an optional manufacturer, as defined herein, you take the product as is and at your own risk. Descriptions and specifications contained herein were in effect at the time this publication was approved for printing. MBCI reserves the right to discontinue products at any time or change specifications and/or designs without notice and without incurring obligation.

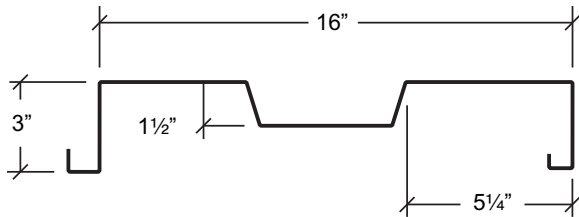
To insure you have the latest information available, please contact MBCI or visit our web site at www.mbc.com

GENERAL INFORMATION

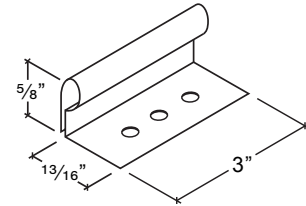
ShadowRib™

PRODUCT CHECKLIST

ShadowRib™ Panel

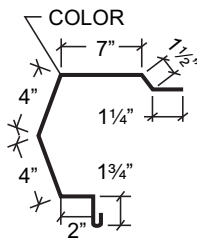


ShadowRib™ Clip



- 16 Gauge Painted

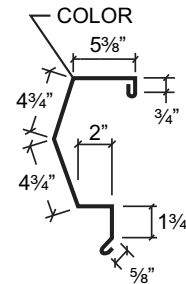
ShadowRib™ Rake Trim



- For use with "R" Panel Roofs



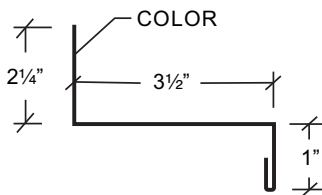
ShadowRib™ Rake Trim



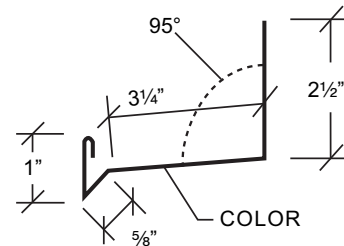
- For use with Ultra-Dek® & Double-Lok® Roofs



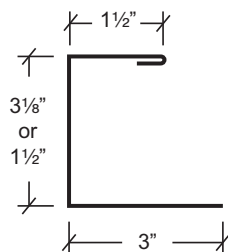
ShadowRib™ Base Trim



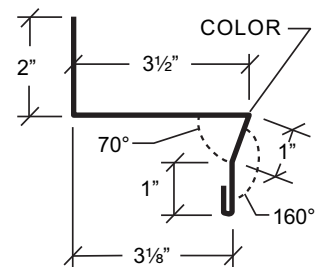
ShadowRib™ Head Trim



ShadowRib™ Cap/Jamb Trim



ShadowRib™ Splice Trim



NOTE: All trim to be 26 gauge material unless noted.

Houston, TX 877-713-6224
 Adel, GA 888-446-6224
 Atlanta, GA 877-512-6224
 Atwater, CA 800-829-9324
 Dallas, TX 800-653-6224
 Indianapolis, IN 800-735-6224

Jackson, MS 800-622-4136
 Lubbock, TX 800-758-6224
 Mattoon, IL 888-885-0468
 Memphis, TN 800-206-6224
 Oklahoma City, OK 800-597-6224
 Omaha, NE 800-458-6224

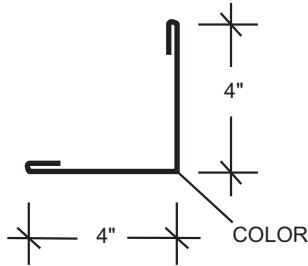
Phoenix, AZ 888-533-6224
 Richmond, VA 800-729-6224
 Rome, NY 800-559-6224
 Salt Lake City, UT 800-874-2404
 San Antonio, TX 800-598-6224



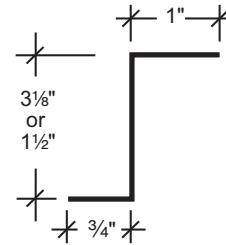
ShadowRib™ GENERAL INFORMATION

PRODUCT CHECKLIST

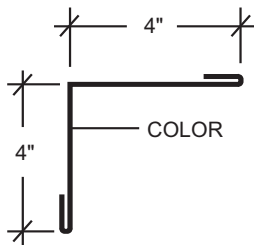
ShadowRib™ Outside Corner



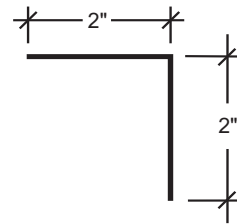
ShadowRib™ Furring Zee



ShadowRib™ Inside Corner



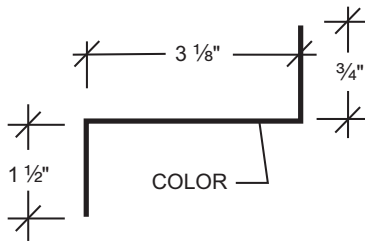
ShadowRib™ Starter Angle



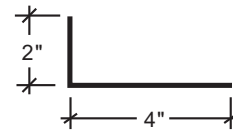
• 18 Gauge Galvanized



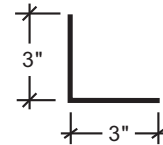
Zee Cap



4"x2" Angle



3"x3" Angle



• 14 Gauge Painted
 • 20' Lengths



Foam Tape



ShadowRib™ Closures

Outside



Inside



NOTE: All trim to be 26 gauge material unless noted.

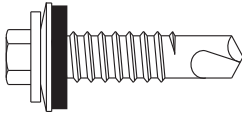
GENERAL INFORMATION

ShadowRib™

PRODUCT CHECKLIST

Fastener #1

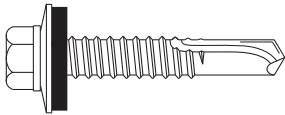
- Clip to 16-12 gauge girt
- Panel to clip
- Panel to starter angle



1/4"-14x1" Driller
3/8" Hex Washer Head with 5/8" O. D. washer

Fastener #6

- Clip to structural
3/8" max. thickness



12-24x1 1/4" TEK 4.5
5/16" Hex Washer Head with 5/8" O.D. washer

Fastener #14

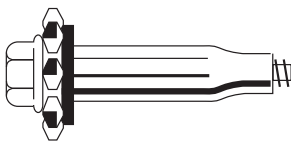
- Trim to trim
- Trim to panel



1/8" x 3/16" Pop Rivet
1/8" Diameter x 3/16" Grip Range

Fastener #23

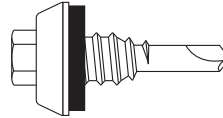
- For use with inside attachment method



Fas. 10-4
5/16" Hex Washer Head, with 5/8" O.D. washer

Fastener #4

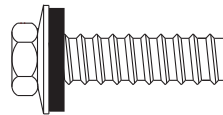
- Trim to panel



1/4"-14x7/8" Long Life Lap TEK
3/8" Hex Washer Head, with sealing washer

Fastener #10

- Clip to structural
1/2" max. thickness



1/4"-14 x 1" Type B
3/8" Hex Washer Head with 5/8" O.D. washer

Fastener #14A

- Window frame to structural
- Trim to structural
- Starter angle to structural



1/8" x 3/8" Pop Rivet
1/8" Diameter x 3/8" Grip Range

ShadowRib™

GENERAL INFORMATION

ShadowRib™ INSTALLATION GUIDELINES

I. Pre-Order

- A. Prior to ordering panels, all dimensions should be confirmed by field measurement.

II. Jobsite Storage and Handling

- A. Check the shipment against the shipping list.
- B. Damaged material must be noted on bill of lading.
- C. Panel crates should be handled carefully. A spreader bar of appropriate length is recommended for hoisting.
- D. Check to see that moisture has not formed inside the bundles during shipment. If moisture is present, panels should be uncrated and wiped dry, then restacked and loosely covered so that air can circulate between the panels.

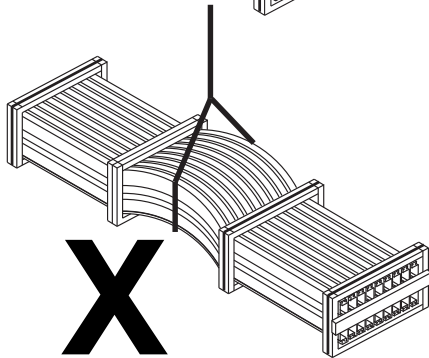
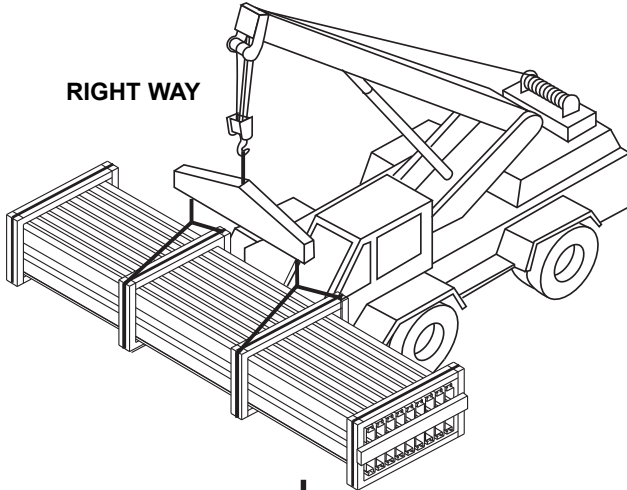
III. Application Checklist

- A. Check substructure for proper alignment and uniformity to avoid panel distortion.
- B. All primary and secondary framing must be erected, plumbed and squared with bolts tightened according to accepted building practices prior to beginning the installation of the **ShadowRib™** panel.
- C. MBCI recommends that all framed openings begin and end in the “high”.
- D. For installation of long panel runs, MBCI recommends the clip method.
- E. Periodic check of panel alignment is crucial to proper panel alignment.
- F. If there is a conflict between this manual and the project erection drawings, the erection drawings will take precedence.
- G. **MBCI recommends the use of a screw gun with a speed range of 0 - 2000 RPM to properly install all fasteners referenced in this manual. Tools rated to 4000 RPM should never be used for self drilling fasteners typically applied with metal building components.**

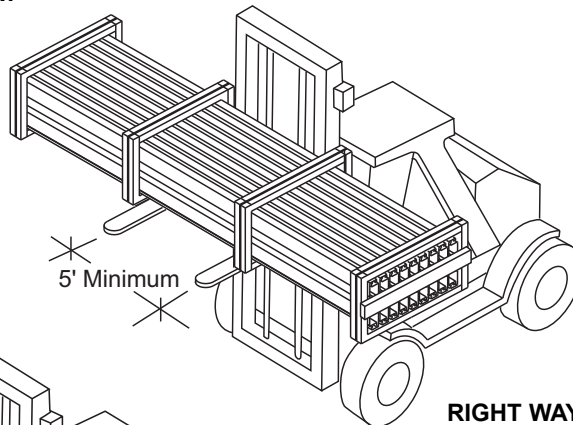
GENERAL INFORMATION

ShadowRib™

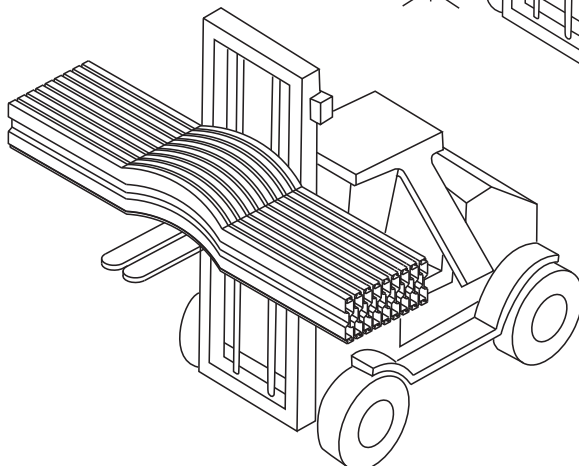
RIGHT WAY



WRONG WAY



RIGHT WAY



WRONG WAY

UNLOADING

Upon receiving material, check shipment against shipping list for shortages and damages. MBCI will not be responsible for shortages or damages unless they are noted on the shipping list.

Each bundle should be lifted at its center of gravity. Where possible, bundles should remain banded until final placement on roof. If bundles must be opened, they should be retied before lifting.

When lifting bundles with a crane, a spreader bar and nylon straps should be used. **NEVER USE WIRE ROPE SLINGS, THEY WILL DAMAGE THE PANELS.**

When lifting bundles with a forklift, forks must be a minimum of five feet apart. Do not transport open bundles. Drive slowly when crossing rough terrain to prevent panel buckling.

CAUTION

Improper unloading and handling of bundles and crates may cause bodily injury or material damage. The manufacturer is not responsible for bodily injuries or material damages during unloading and storage.

Houston, TX 877-713-6224
Adel, GA 888-446-6224
Atlanta, GA 877-512-6224
Atwater, CA 800-829-9324
Dallas, TX 800-653-6224
Indianapolis, IN 800-735-6224

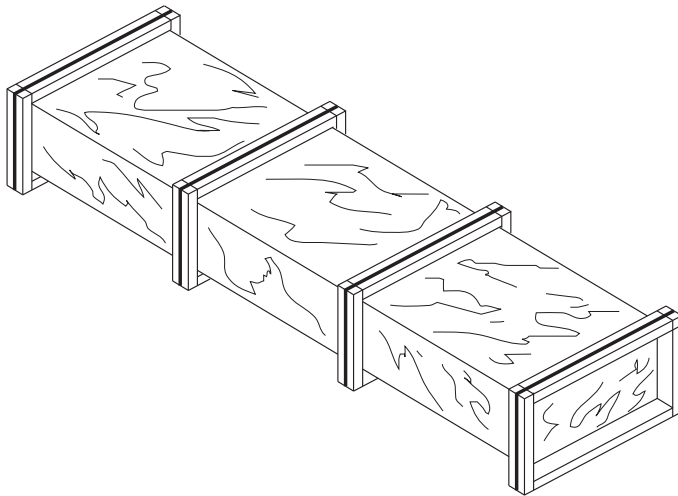
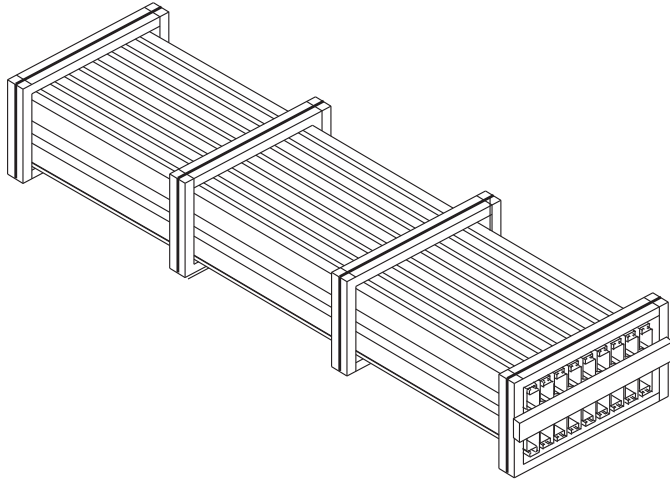
Jackson, MS 800-622-4136
Lubbock, TX 800-758-6224
Mattoon, IL 888-885-0468
Memphis, TN 800-206-6224
Oklahoma City, OK 800-597-6224
Omaha, NE 800-458-6224

Phoenix, AZ 888-533-6224
Richmond, VA 800-729-6224
Rome, NY 800-559-6224
Salt Lake City, UT 800-874-2404
San Antonio, TX 800-598-6224



ShadowRib™

GENERAL INFORMATION



UNLOADING (continued)

BLOCK AND BAND

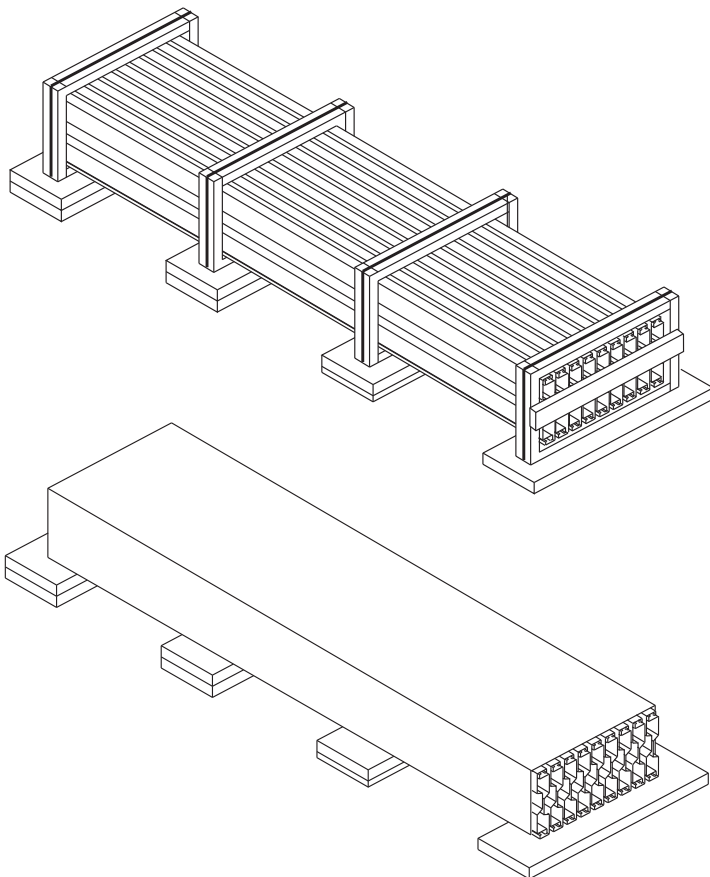
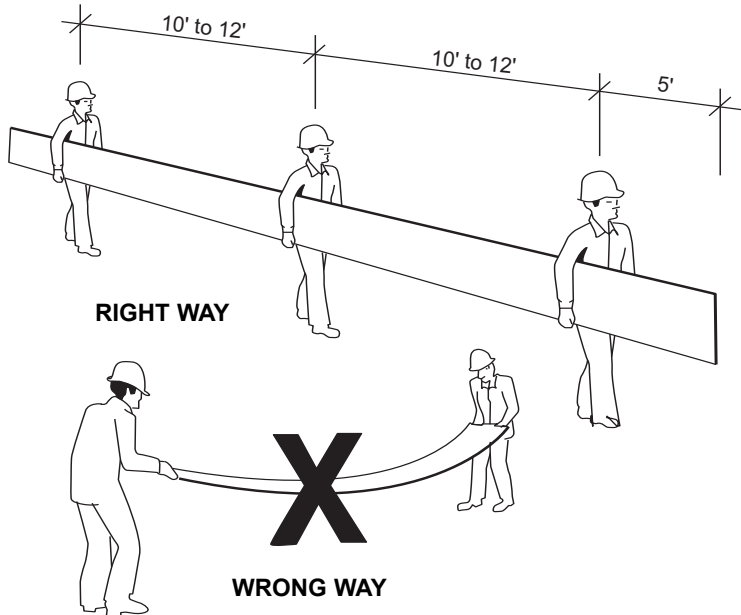
This method of bundling is used for orders that are to be picked up by the customer or shipped by common carrier. 2 x 4's are strapped under the bundles to allow access for straps or a forklift. Bundles less than 25' long may be handled by a forklift. The forklift should have at least 5' between forks. Bundles longer than 25' should be lifted utilizing a spreader bar with nylon straps.

FULL CRATE

This method is used on all overseas shipments or by customer's order. Handling requirements are the same as block and band.

GENERAL INFORMATION

ShadowRib™



HANDLING/ PANEL STORAGE

Standing on one side of the panel, lift it by the seam. If the panel is over 10' long, lift it with two or more people on one side of the panel to prevent buckling.

Do not pick panels up by the ends.

NOTE

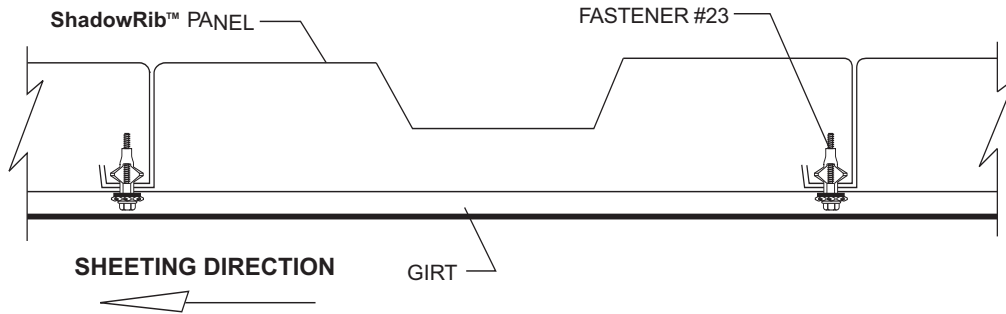
Protective gloves should always be used while handling panels. OSHA safety regulations must be followed at all times.

Store bundled sheets off the ground sufficiently high to allow air circulation beneath bundle and to prevent rising water from entering bundle. Slightly elevate one end of bundle. Prevent rain from entering bundle by covering with tarpaulin, making provision for air circulation between draped edges of tarpaulin and the ground. **PROLONGED STORAGE OF SHEETS IN A BUNDLE IS NOT RECOMMENDED.** If conditions do not permit immediate erection, extra care should be taken to protect sheets from white rust or water marks.

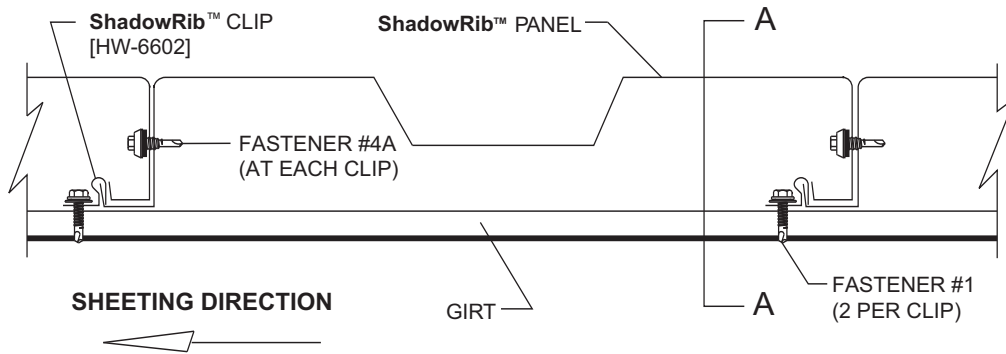
Check to see that moisture has not formed inside the bundles during shipment. If moisture is present, panels should be uncrated and wiped dry, then restacked and loosely covered so that air can circulate between the panels.

ShadowRib™ INSTALLATION

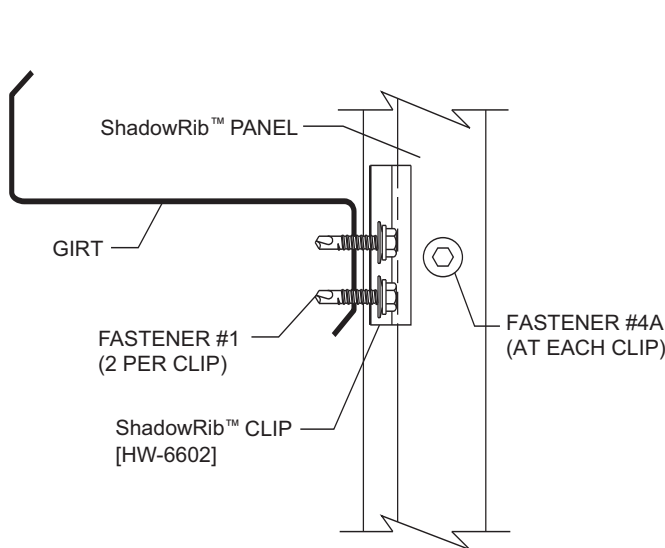
PANEL ATTACHMENT METHODS



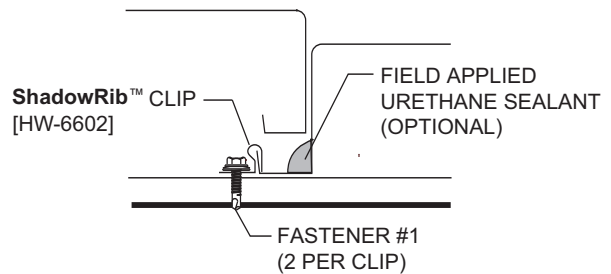
INTERIOR FASTENER ATTACHMENT



EXTERIOR CLIP ATTACHMENT



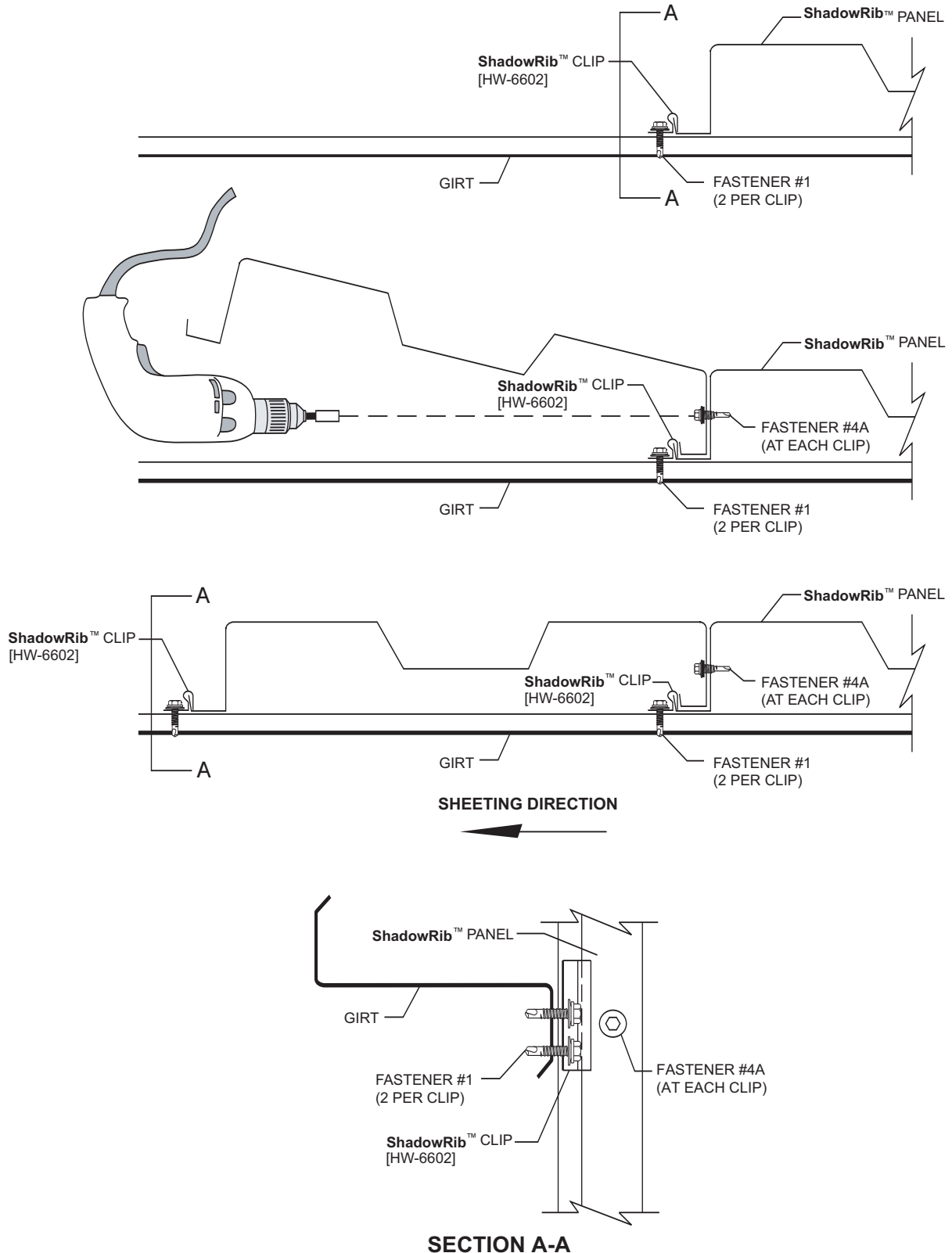
SECTION A-A



INSTALLATION

ShadowRib™

PANEL ATTACHMENT METHODS



Houston, TX 877-713-6224
 Adel, GA 888-446-6224
 Atlanta, GA 877-512-6224
 Atwater, CA 800-829-9324
 Dallas, TX 800-653-6224
 Indianapolis, IN 800-735-6224

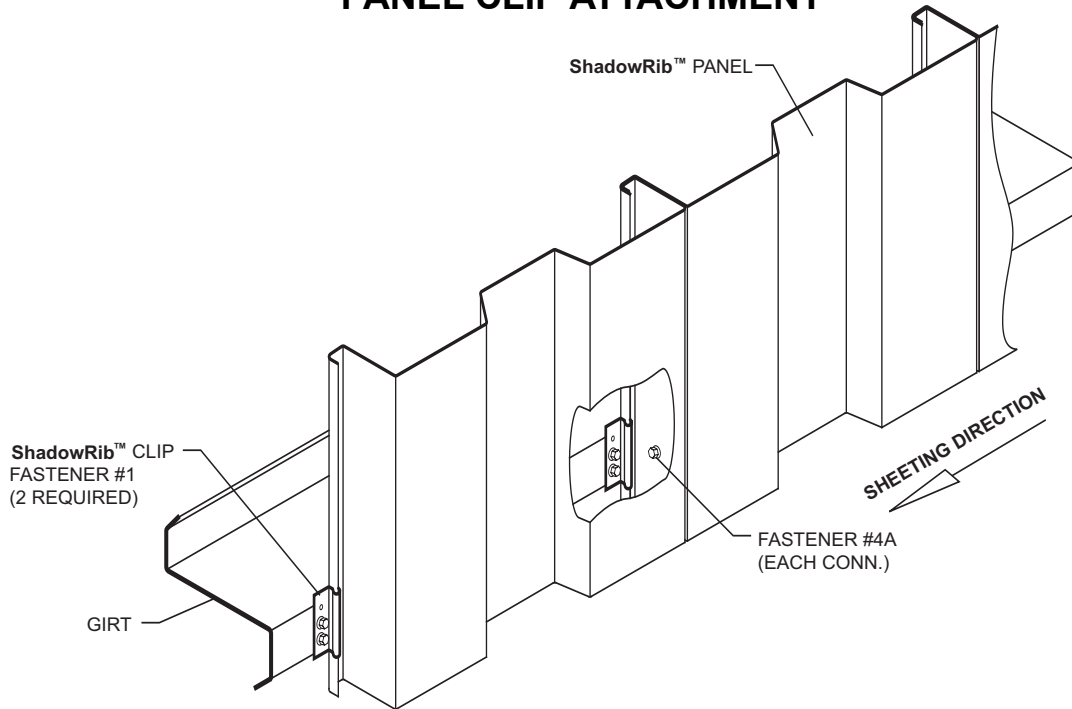
Jackson, MS 800-622-4136
 Lubbock, TX 800-758-6224
 Mattoon, IL 888-885-0468
 Memphis, TN 800-206-6224
 Oklahoma City, OK 800-597-6224
 Omaha, NE 800-458-6224

Phoenix, AZ 888-533-6224
 Richmond, VA 800-729-6224
 Rome, NY 800-559-6224
 Salt Lake City, UT 800-874-2404
 San Antonio, TX 800-598-6224

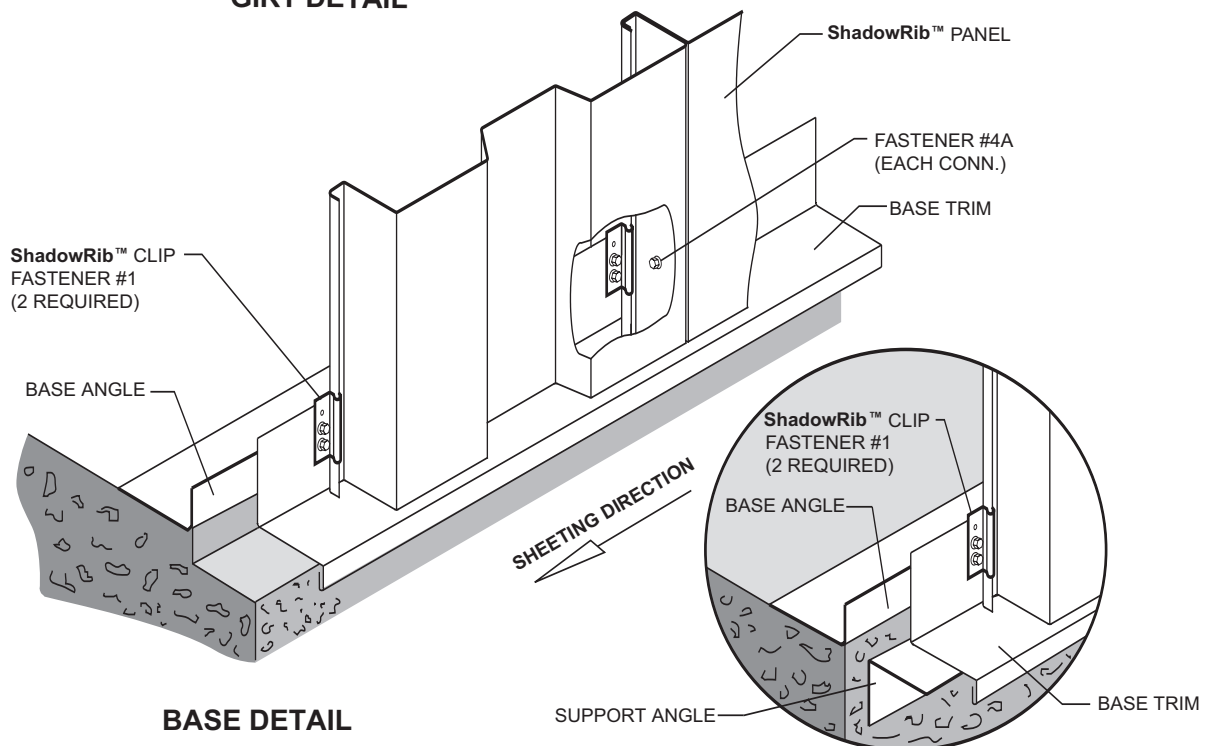


ShadowRib™ INSTALLATION

PANEL CLIP ATTACHMENT



GIRT DETAIL



BASE DETAIL

ALTERNATE BASE

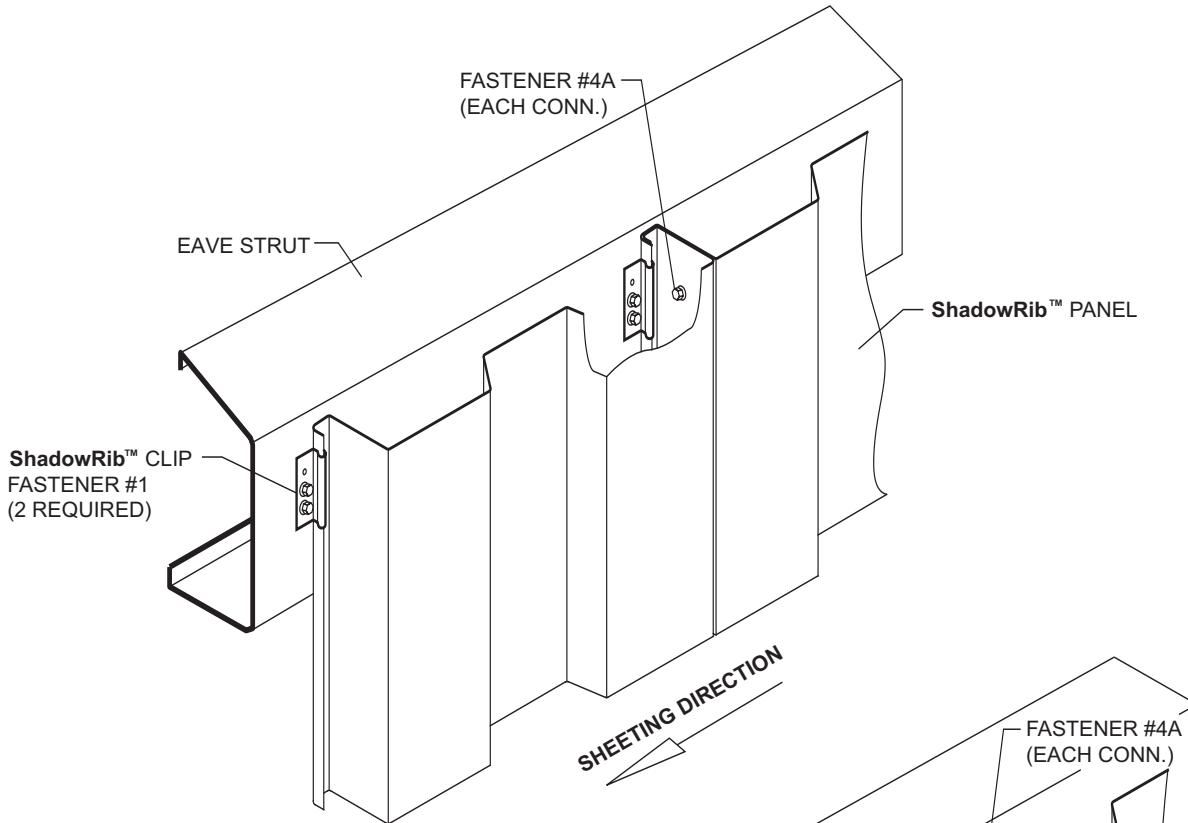
NOTES:

1. Attach base trim to base angle with Fastener #14A to hold in place until clips are installed (3 fasteners in each 10' piece).
2. For alternate base detail, support angle should be 1½" below floor level. Attach support angle to concrete 3' o.c.

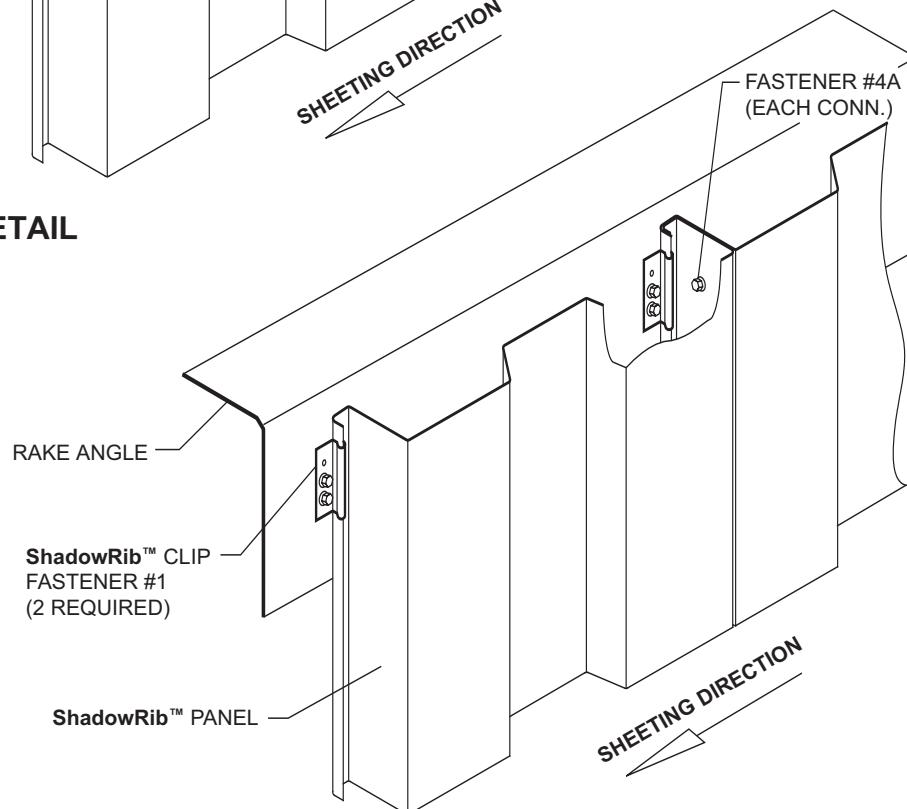
INSTALLATION

ShadowRib™

PANEL CLIP ATTACHMENT (CONTINUED)



EAVE DETAIL



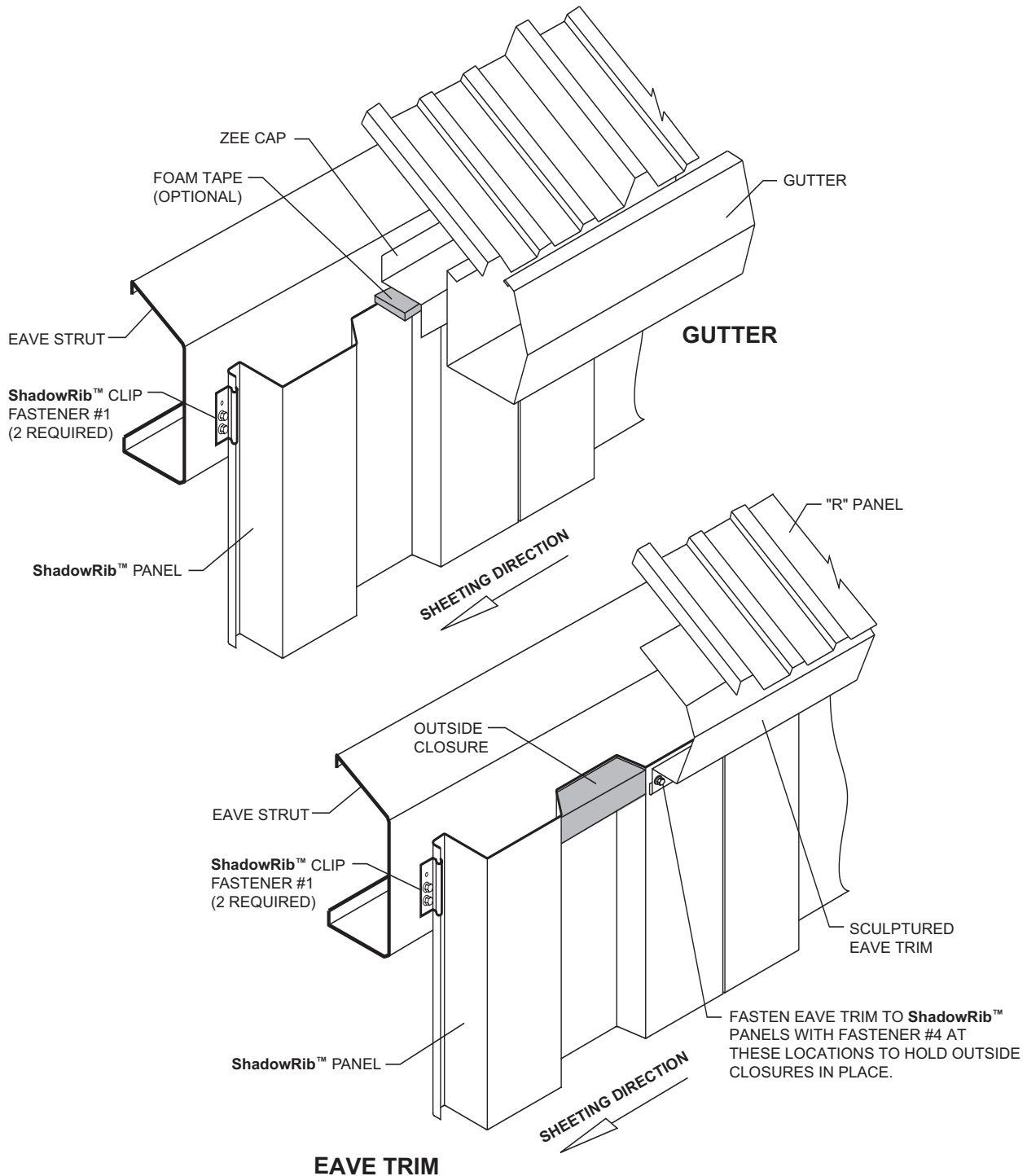
RAKE DETAIL

NOTES:

1. Do not install clips on eave strut or rake angle above the height of the wall panels.

ShadowRib™ INSTALLATION

EAVE DETAILS



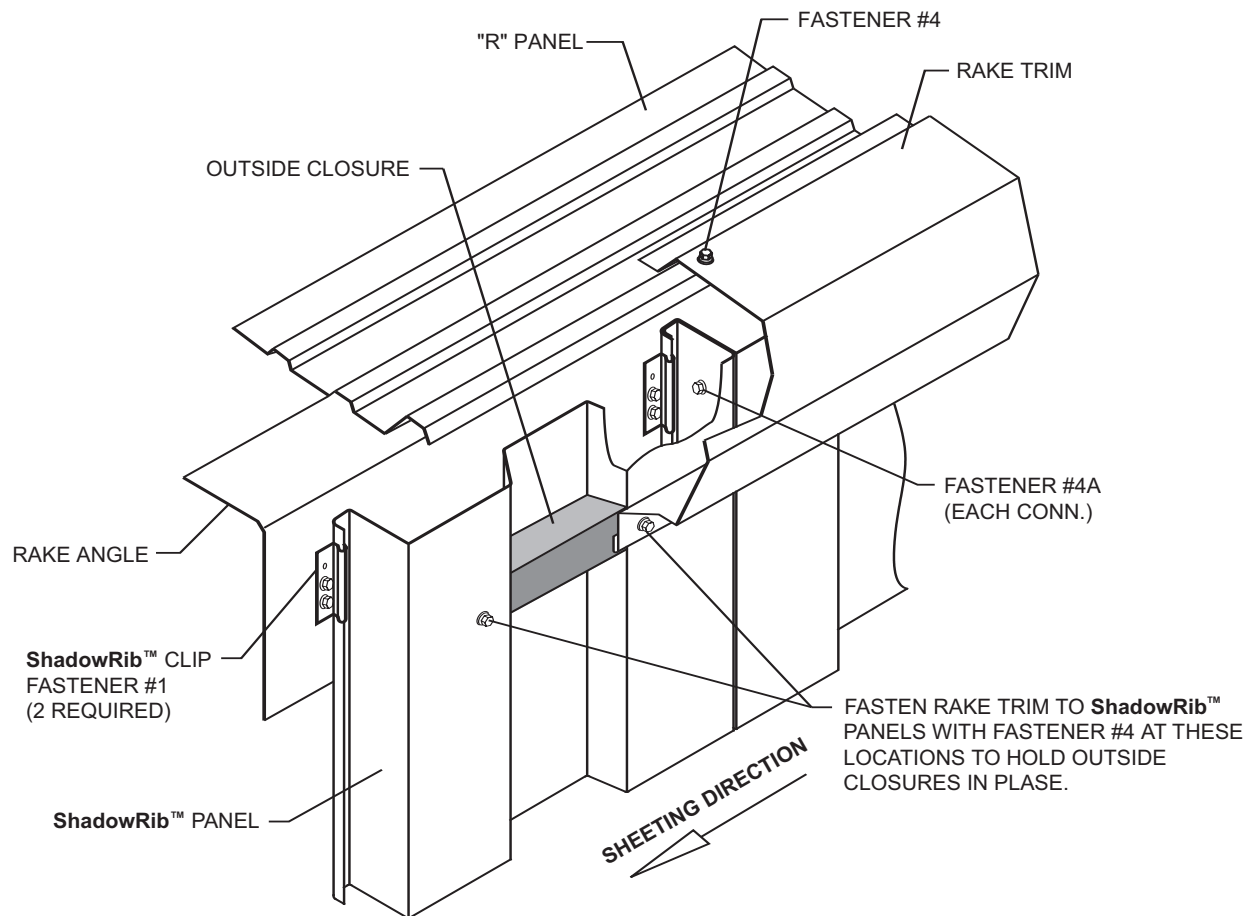
NOTES:

1. Details shown above to be used for exterior clip or interior fastener method (**clip method shown**).
2. Optional foam tape provides an airtight seal at the top of the panels.

INSTALLATION

ShadowRib™

RAKE DETAIL

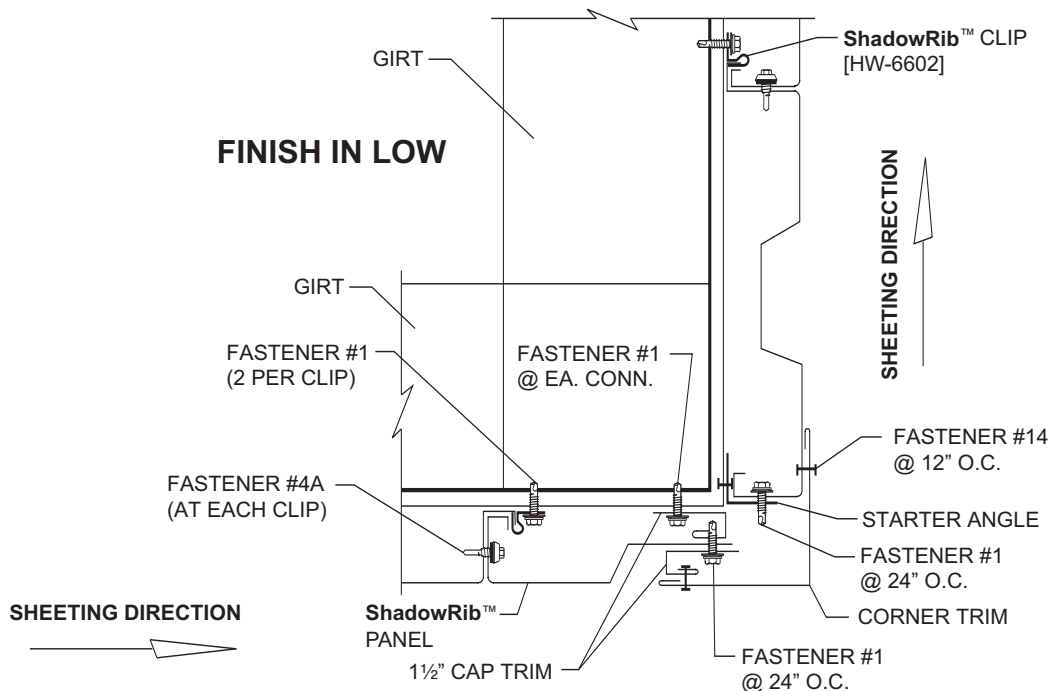
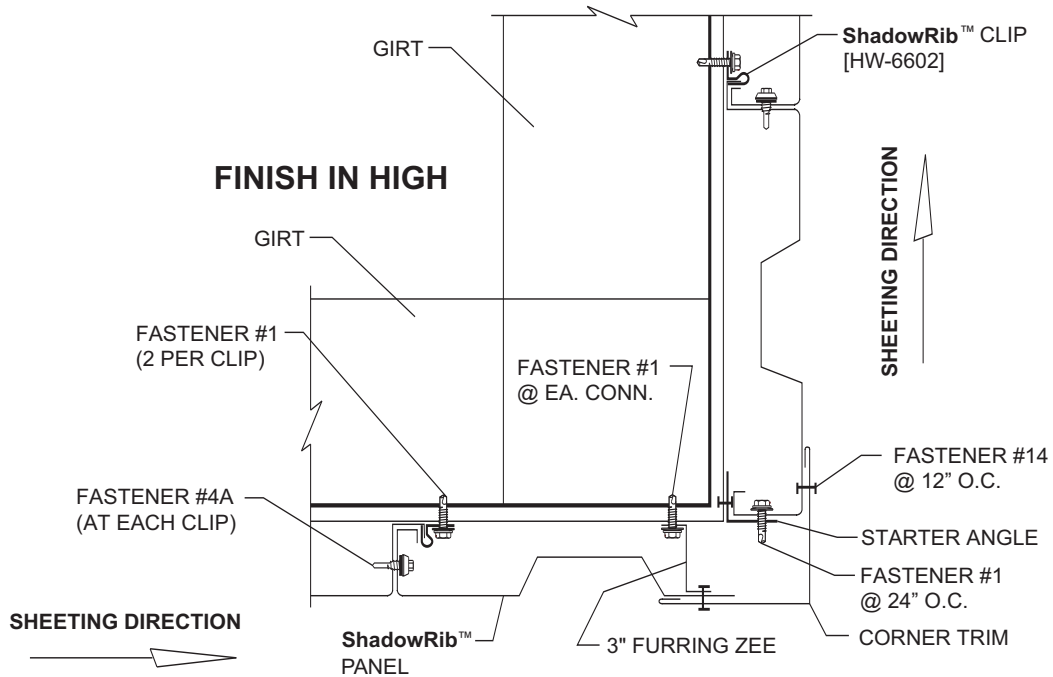


NOTES:

1. Details shown above to be used for exterior clip or interior fastener method (**clip method shown**).
2. Standard outside closures will fit properly on roof pitches of 2:12 or less.

ShadowRib™ INSTALLATION

OUTSIDE CORNER



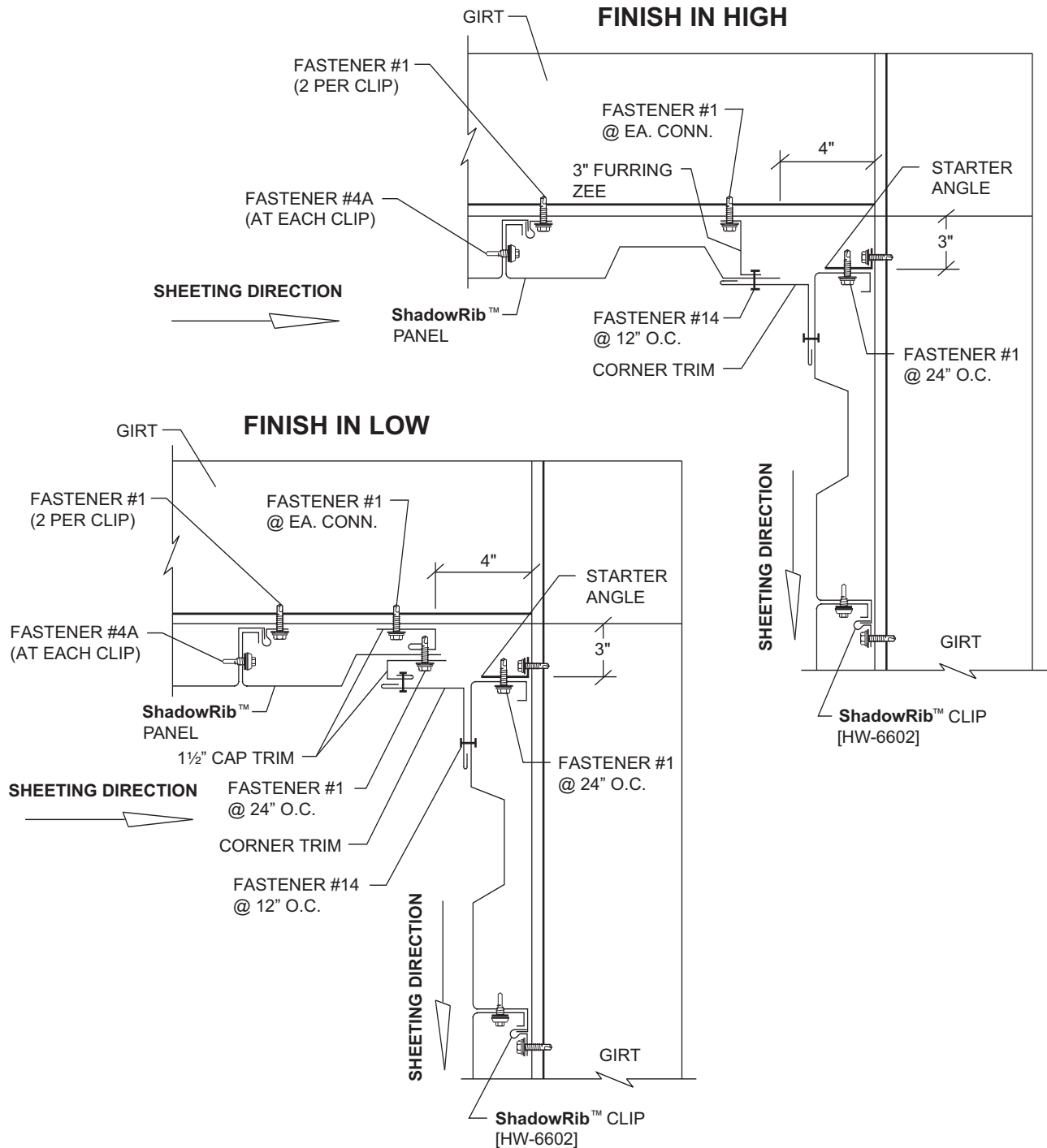
NOTES:

1. Details shown above to be used for exterior clip or interior fastener method (**clip method shown**).

INSTALLATION

ShadowRib™

INSIDE CORNER

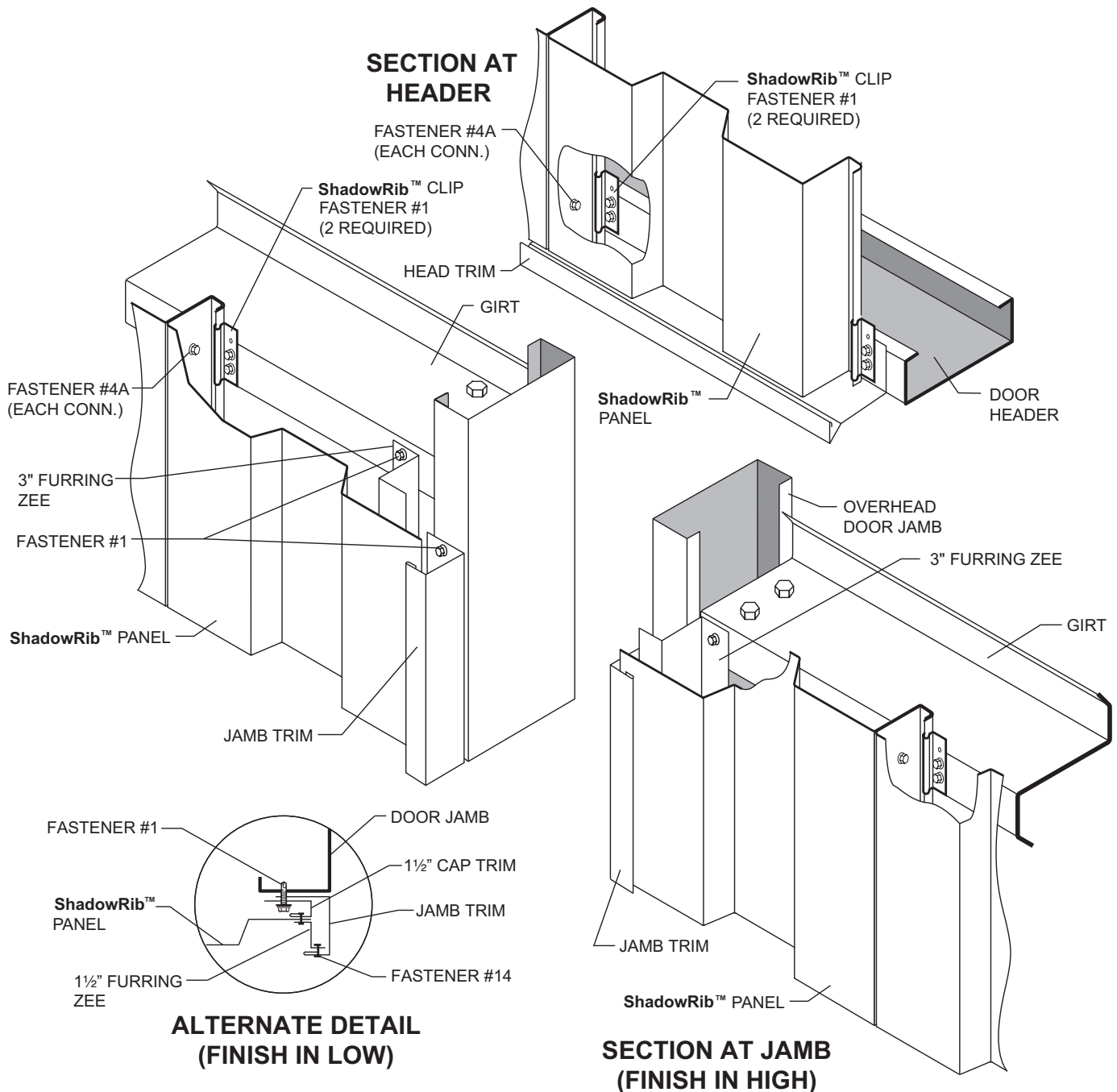


NOTES:

1. Details shown above to be used for exterior clip or interior fastener method (**clip method shown**).
2. When sheeting toward an inside corner, stop the last panel 4" from the steel line. When sheeting away from an inside corner, start the first panel 3" from the steel line.

ShadowRib™ INSTALLATION

DETAILS AT OVERHEAD DOORS



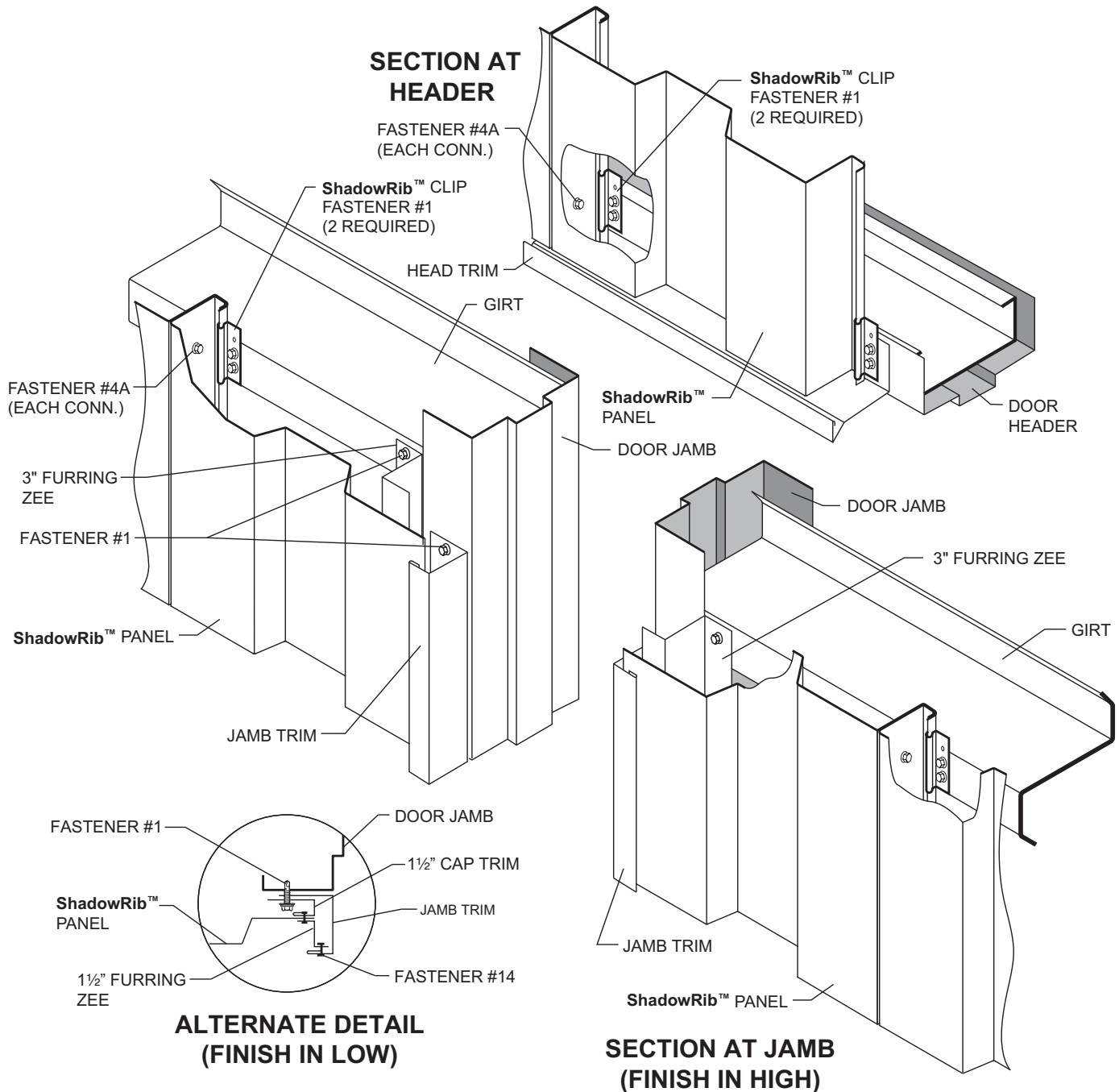
NOTES:

1. Seal the bottom of all panels above the overhead door inside the head trim with urethane sealant.
2. The first panel cut for an overhead door will require attachment to the building from the inside.
3. Top of jamb trim must be mitered to fit slope of head trim.

INSTALLATION

ShadowRib™

DETAILS AT WALK DOORS

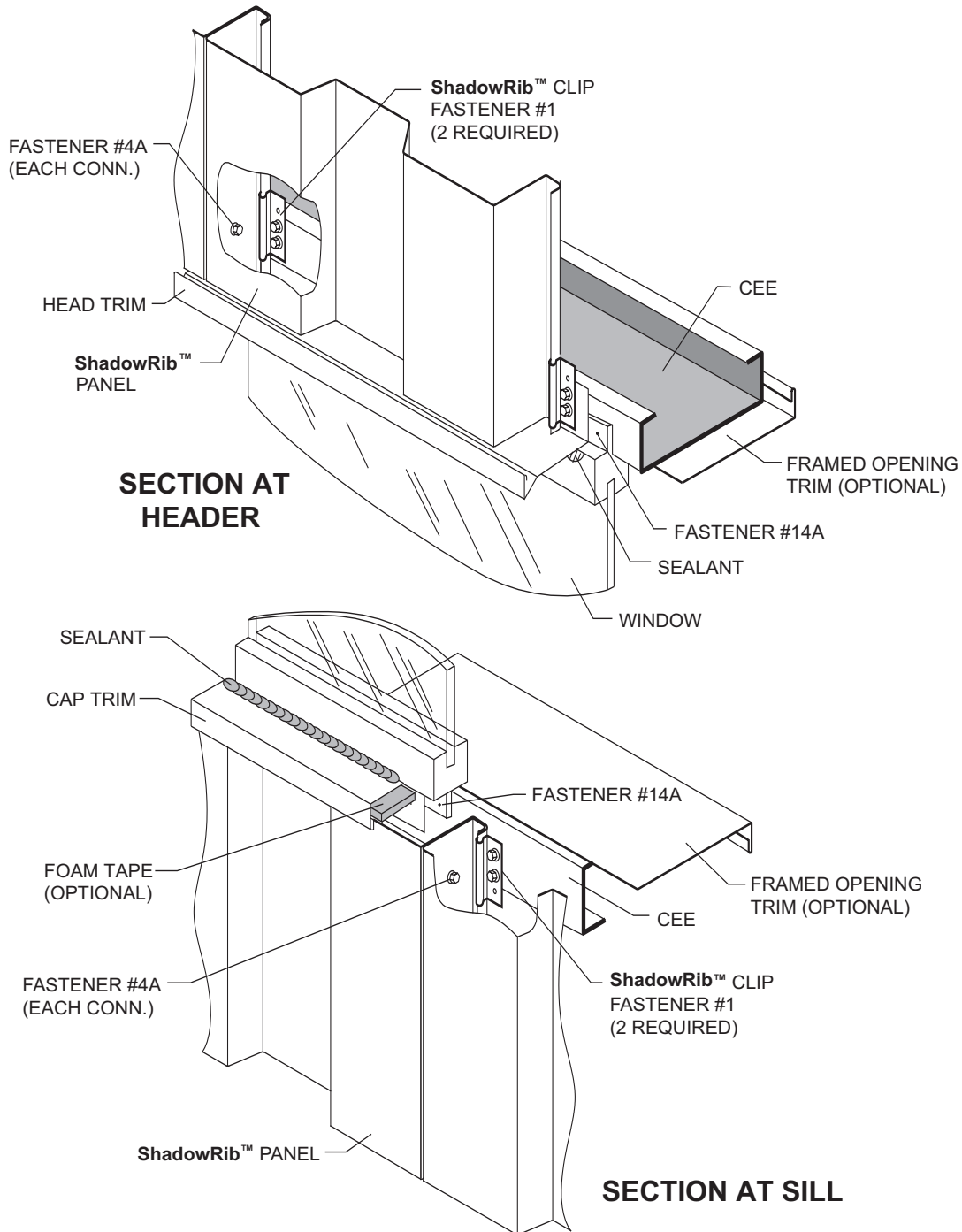


NOTES:

1. Seal the bottom of all panels above the walk door inside the head trim with urethane sealant.
2. The first panel cut for a walk door will require attachment to the building from the inside.
3. Top of jamb trim must be mitered to fit slope of head trim.

ShadowRib™ INSTALLATION

DETAILS AT WINDOWS



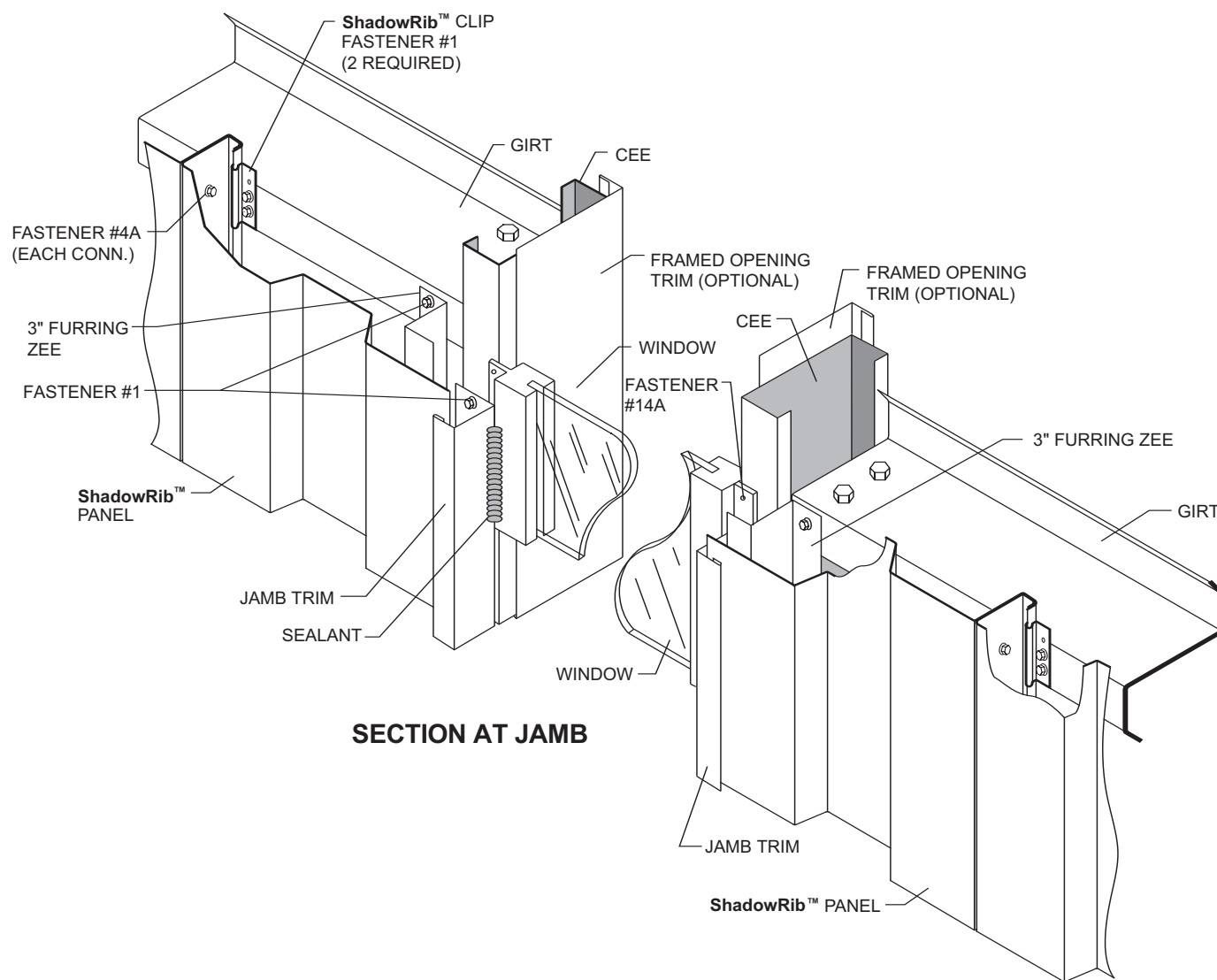
NOTES:

1. Details shown above to be used for exterior clip or interior fastener method (**clip method shown**).
2. Details shown utilize a straight fin window.
3. Foam tape can be applied to underside of sill trim to provide an airtight seal.

INSTALLATION

ShadowRib™

DETAILS AT WINDOWS (CONTINUED)



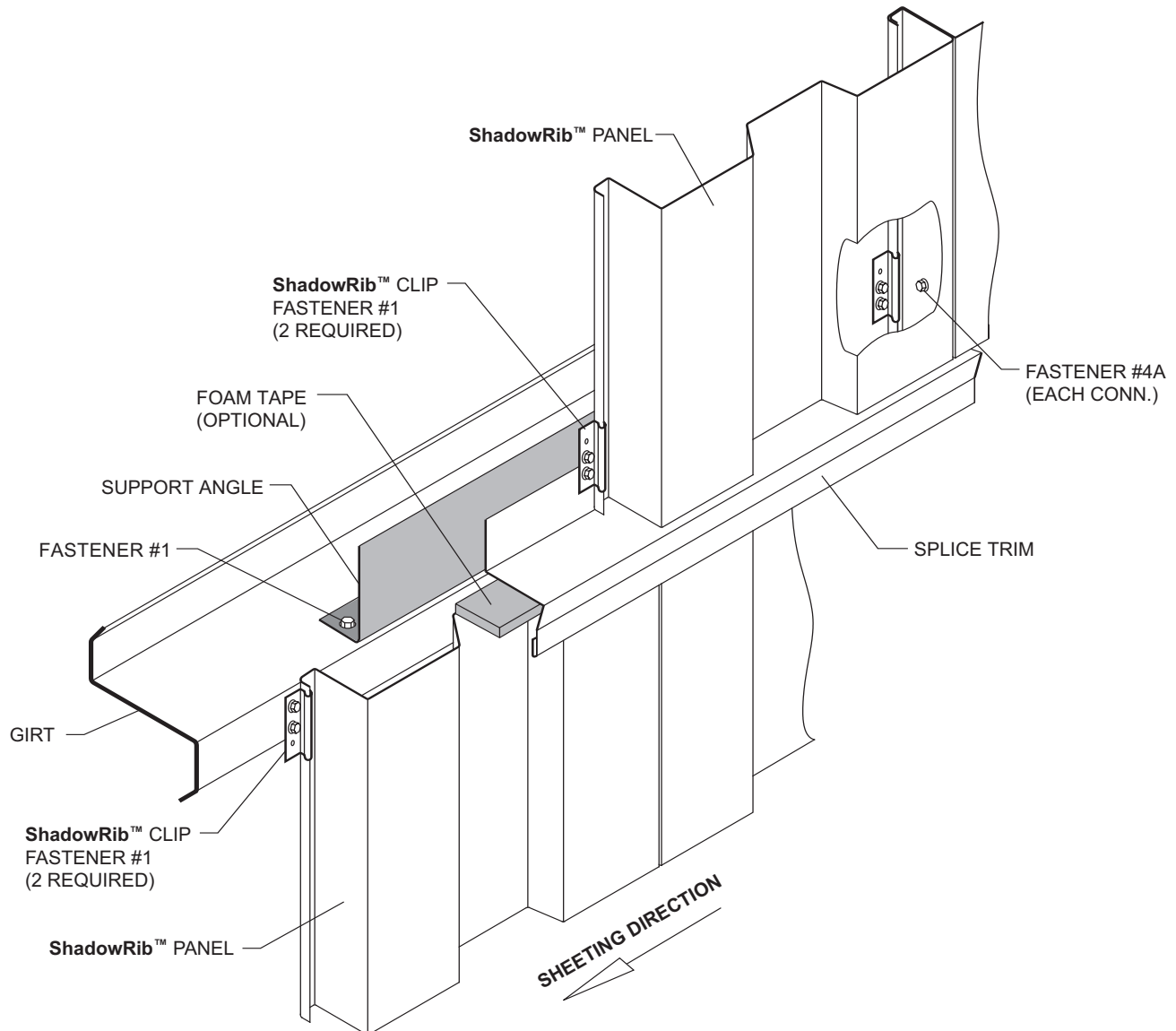
NOTES:

1. All windows require a framed opening.
2. Install framed opening trim to top, bottom, and both sides of framed opening.
3. Install window from outside of building and attach to framed opening with Fastener #14A.
4. Install head trim at top and cap trim at bottom of window. Head trim and cap trim should be the width of the framed opening plus 4" in length.
5. Install jamb trim at both sides of the window. Jamb trim will fit inside of head trim and sill trim. Top of jamb trim must be mitered to fit slope of head trim.
6. Seal the bottom of all panels above the walk door inside the head trim with urethane sealant.
7. Seal window frame to trim on all four sides with urethane sealant.

ShadowRib™

INSTALLATION

DETAIL AT WALL SPLICE



NOTES:

1. Details shown above to be used for exterior clip or interior fastener method (**clip method shown**).
2. Fasten support angle to girt with Fastener #1 at 1' o.c.
3. Do not install clips to girt higher than the top of the panels.
4. Foam tape can be applied to underside of splice trim to provide an air tight seal.



Houston, TX 877-713-6224
Adel, GA 888-446-6224
Atlanta, GA 877-512-6224
Atwater, CA 800-829-9324
Dallas, TX 800-653-6224
Indianapolis, IN 800-735-6224

Jackson, MS 800-622-4136
Lubbock, TX 800-758-6224
Mattoon, IL 888-885-0468
Memphis, TN 800-206-6224
Oklahoma City, OK 800-597-6224
Omaha, NE 800-458-6224

Phoenix, AZ 888-533-6224
Richmond, VA 800-729-6224
Rome, NY 800-559-6224
Salt Lake City, UT 800-874-2404
San Antonio, TX 800-598-6224

NOTES

Houston, TX 877-713-6224
Adel, GA 888-446-6224
Atlanta, GA 877-512-6224
Atwater, CA 800-829-9324
Dallas, TX 800-653-6224
Indianapolis, IN 800-735-6224

Jackson, MS 800-622-4136
Lubbock, TX 800-758-6224
Mattoon, IL 888-885-0468
Memphis, TN 800-206-6224
Oklahoma City, OK 800-597-6224
Omaha, NE 800-458-6224

Phoenix, AZ 888-533-6224
Richmond, VA 800-729-6224
Rome, NY 800-559-6224
Salt Lake City, UT 800-874-2404
San Antonio, TX 800-598-6224



NOTES



Metal Roof and Wall Systems

For current information, visit our website at www.mbc.com.

Descriptions and specifications contained herein were in effect at the time this publication was approved for printing. In a continuing effort to refine and improve products, MBCI reserves the right to discontinue products at any time or change specifications and/or designs without incurring obligation. To ensure you have the latest information available, please inquire or visit our website at www.mbc.com. Application details are for illustration purposes only and may not be appropriate for all environmental conditions, building designs or panel profiles. Projects should be designed to conform to applicable building codes, regulations and accepted industry practices. If there is a conflict between this manual and project erection drawings, the erection drawings will take precedence.

Houston, TX
14031 West Hardy
P.O. Box 38217
Houston, TX 77238
877-713-6224

Dallas, TX
1804 Jack McKay Blvd.
P.O. Box 1210
Ennis, TX 75120
800-653-6224

Mattoon, IL
1509 Dewitt Avenue East
Mattoon, IL 61938
888-885-0468

Phoenix, AZ
660 South 91st Avenue
P.O. Box 739
Tolleson, AZ 85353
888-533-6224

San Antonio, TX
8677 I-10 East
P.O. Box 69
Converse, TX 78109
800-598-6224

Adel, GA
1601 Rogers Road
P.O. Box 1107
Adel, GA 31620
888-446-6224

Indianapolis, IN
1780 McCall Drive
P.O. Box 657
Shelbyville, IN 46176
800-735-6224

Memphis, TN
300 Highway 51 North
P.O. Box 366
Hernando, MS 38632
800-206-6224

Richmond, VA
801 South Avenue
P.O. Box 239
Colonial Heights, VA 23834
800-729-6224

Atlanta, GA
2280 Monier Avenue
P.O. Box 44729
Atlanta, GA 30336
877-512-6224

Jackson, MS
201 Apache Drive
P.O. Box 720100
Jackson, MS 39272
800-622-4136

Oklahoma City, OK
7000 S. Eastern Avenue
P.O. Box 95998
Oklahoma City, OK 73143
800-597-6224

Rome, NY
6168 State Route 233
P.O. Box 4141
Rome, NY 13442
800-559-6224

Atwater, CA
550 Industry Way
P.O. Box 793
Atwater, CA 95301
800-829-9324

Lubbock, TX
5711 East FM-40
P.O. Box 10133
Lubbock, TX 79408
800-758-6224

Omaha, NE
1011 Ellison Avenue
Omaha, NE 68119
800-458-6224

Salt Lake City, UT
1155 West 2300 North
P.O. Box 16027
Salt Lake City, UT 84116
800-874-2404

