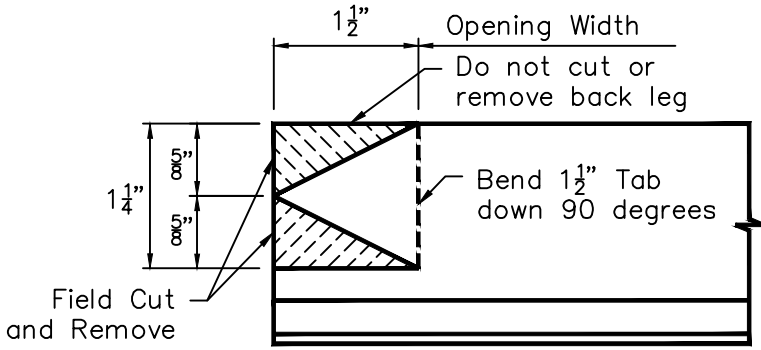
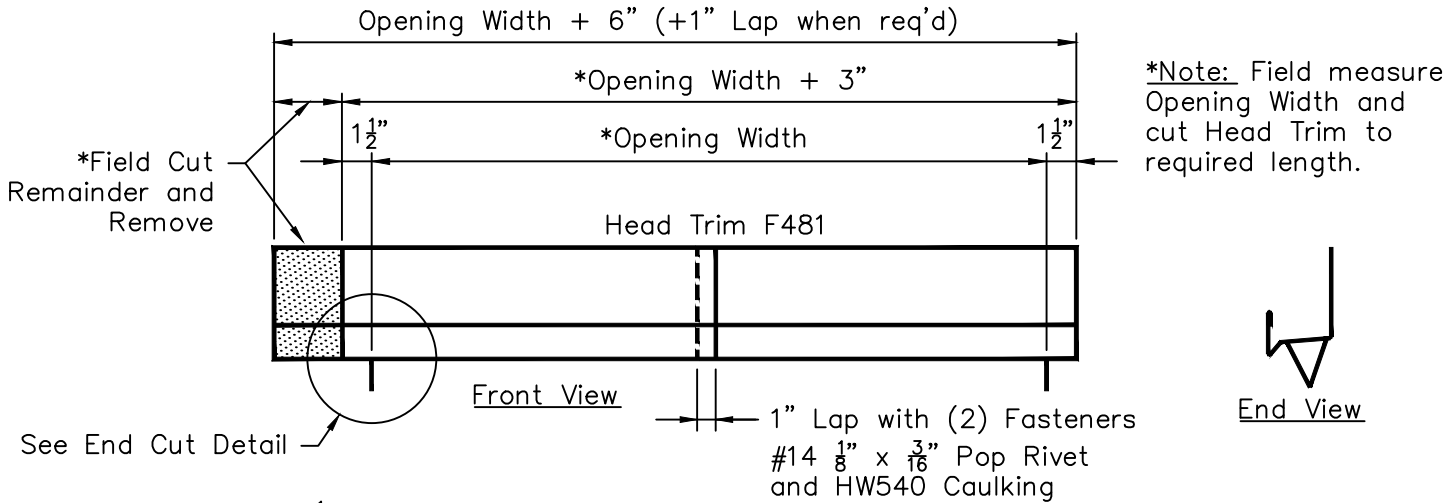


# AVP/PBA Wall Panel - Four Sided Framed Opening

## Field Notch and Bend Tabs at Head Trim

**Note:** Trim Installation can be done by Field Notch Panel as shown on PA06022 & PA06023 OR with Field Notch and Bend Tabs at Head Trim as shown on PA06024 & PA06025.



**Note:** All trim is to be installed BEFORE blanket insulation is applied to walls

**Note:** Panel position is shown with Panel Rib starting 6" from Steel Line and Opening on 1'-0" module. Location of Panel Rib may vary depending on the Opening Width and location. Field measure before cutting Panel and Trim.

**End Cut Detail**  
(Viewed from top of Head Trim)

