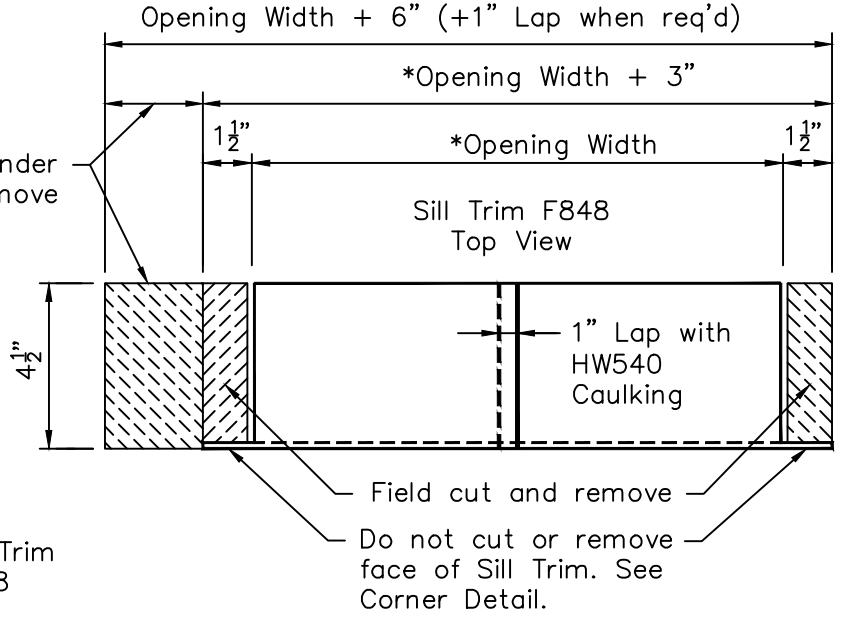
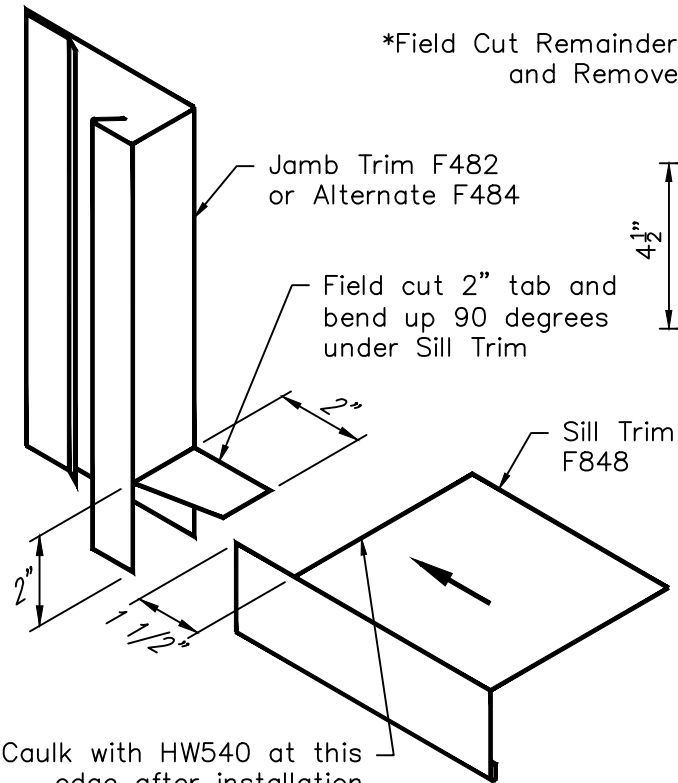


AVP / PBA Wall Panel - Four Sided Framed Opening

Sill Trim Installation

***Note:** Field measure Opening Width and cut Sill Trim to required length.



Note: Jamb & Head Trim are to be installed BEFORE blanket insulation is applied to walls

Note: Panel position is shown with Panel Rib starting 6" from Steel Line and Opening on 1'-0" module. Location of Panel Rib may vary depending on the Opening Width and location. Field measure before cutting Panel and Trim.

Corner Detail

