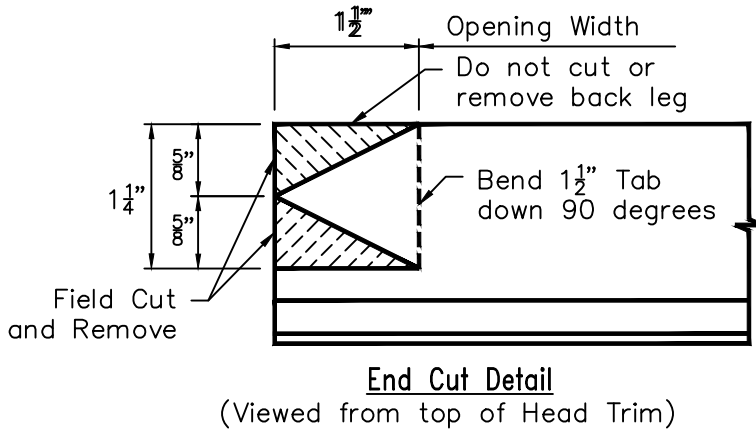
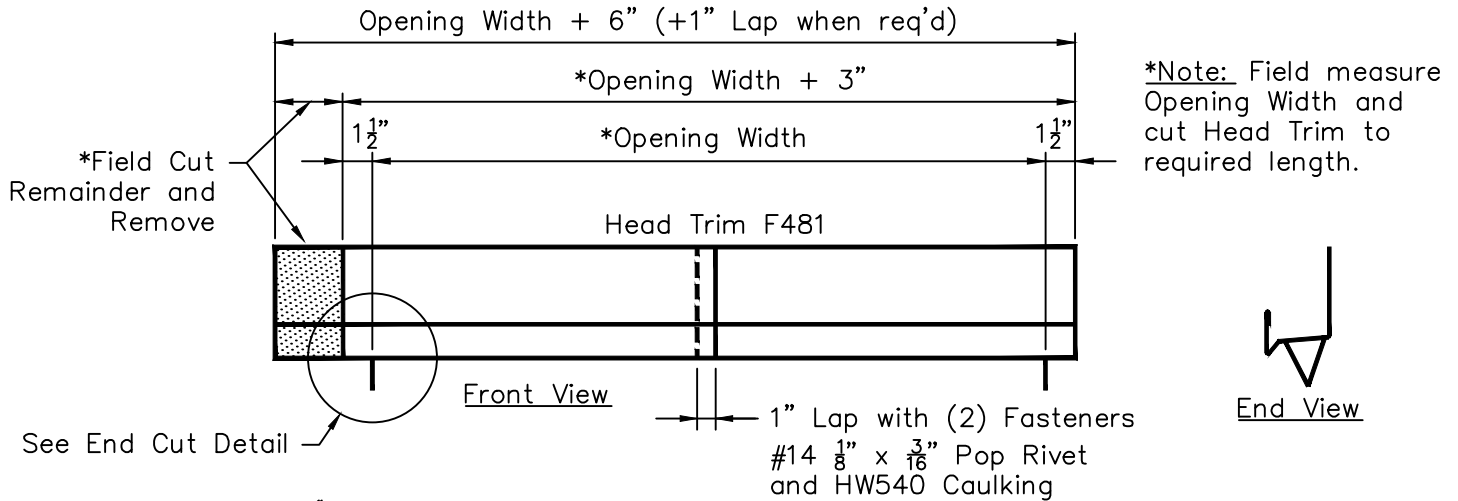


AVP / PBA Wall Panel - Three Sided Framed Opening Field Notch and Bend Tabs at Head Trim

Page
PA07025
Date
Mar '13
Rev.
01

Note: Trim Installation can be done by Field Notch Panel as shown on PA07022 & PA07023
OR with Field Notch and Bend Tabs at Head Trim as shown on PA07024 & PA07025.



Note: All trim is to be installed BEFORE blanket insulation is applied to walls

Note: Panel position is shown with Panel Rib starting 6" from Steel Line and Opening on 1'-0" module. Location of Panel Rib may vary depending on the Opening Width and location. Field measure before cutting Panel and Trim.

